

# KAPOOR LARGE PENDANT

## PRODUCT FEATURES

- Hand-crafted by skilled Italian artisans
- As each piece is artisan made, slight variations are an inherent part of this hand-blown glass fixture
- Brass rings secure the power cord to the supporting aircraft cable adding a striking and complementary detail
- This item is made of natural brass. It is a living finish that will patina and warm with age which adds richness. If it gets an uneven patina or spots, a brass cleaner can restore the finish
- Fully dimmable LED lamping option allows you to create your desired ambiance
- Protected by a 1-year warranty



## LAMPING

Includes 10.8 watts, 490 total delivered lumens, 2700K LED modules. Dimmable with most LED compatible ELV, TRIAC and 0-10V dimmers. Ships with 14 feet of field-cuttable black cloth cord. 120V-277V.

Clear



Clear



Opal



Transparent Smoke

## ORDERING INFORMATION

| 700TDKPR | LENGTH (A) | FINISH  | LAMP  |
|----------|------------|---|---|
|          | 17 1/2"    | CNB CLEAR/NATURAL BRASS<br>OPNB OPAL/NATURAL BRASS<br>KNB TRANSPARENT SMOKE/NATURAL BRASS | -LED927 INTEGRATED LED 90 CRI 2700K 120V-277V UNV |

700TDKPR

JOB NAME

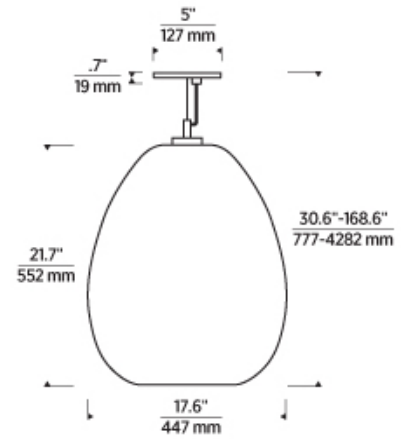
NOTES



# KAPOOR LARGE PENDANT

## SPECIFICATIONS

|                               |             |
|-------------------------------|-------------|
| PRIMARY MATERIAL              | Brass       |
| SHADE MATERIAL                | Glass       |
| NET WEIGHT                    |             |
| HEIGHT                        | 23.8in      |
| WIDTH                         | 17.6in      |
| LENGTH                        | 17.6in      |
| UP LIGHT / DOWN LIGHT / BOTH? |             |
| WET LISTED                    |             |
| DAMP LISTED                   | Yes         |
| DRY LISTED                    |             |
| MIN. HANGING HEIGHT           | 30.6in      |
| MAX HANGING HEIGHT            | 168.6in     |
| TOTAL CORD LENGTH             | 168in       |
| TOTAL STEM LENGTH             |             |
| STEM QTY                      |             |
| SLOPED CEILING ADAPTABLE?     | Yes 45° Max |
| GENERAL LISTING               | ETL Listed  |
| INCLUDES                      |             |



## LAMPING SPECIFICATIONS

|                             | LED LAMP | INTEGRATED LED                       | NON LED | NO LAMP |
|-----------------------------|----------|--------------------------------------|---------|---------|
| DELIVERED LUMENS            |          | 490                                  |         |         |
| WATTS                       |          | 10.8                                 |         |         |
| MAX WATTAGE PER BULB        |          | 10.8W                                |         |         |
| INPUT VOLTAGE/ DIMMING TYPE |          | Universal 120V-277V 0-10, ELV, TRIAC |         |         |
| CCT                         |          | 2700K                                |         |         |
| CRI                         |          | 90 CRI                               |         |         |
| LED LIFETIME                |          |                                      |         |         |
| L70                         |          | >50000                               |         |         |
| AVERAGE BULB HOURS          |          |                                      |         |         |
| FIELD SERVICEABLE LED       |          |                                      |         |         |
| LAMP BASE                   |          | Integrated LED                       |         |         |
| LAMP SHAPE                  |          | Integrated LED                       |         |         |
| LAMP INCLUDED?              |          | True                                 |         |         |
| WARRANTY**                  |          | 5 Years                              |         |         |

\* Dimming information available at [www.techlighting.com/Downloads#dimming](http://www.techlighting.com/Downloads#dimming)

\*\* Visit [techlighting.com](http://techlighting.com) for specific warranty limitations and details.

## T20 / T24 / JA8 INFORMATION

|  | Integrated LED | Replacement LED Lamp | No Lamp * |
|--|----------------|----------------------|-----------|
| This product can be used to comply with California Building Energy Efficiency Standards 2016 <b>Title 24</b> Part 6 / JA8.                           | Yes            |                      |           |
| This product can be used to comply with California Appliance Efficiency Standards 2016 <b>Title 20</b> and may be shipped to and sold in California. | N/A            |                      |           |

\* If a light fixture or component does not include a lamp or light source, it is the responsibility of the customer to select a lamp that meets the T24 and T20 requirements.

