

PHOBOS 2 LIGHT SMALL PENDANT

PRODUCT FEATURES

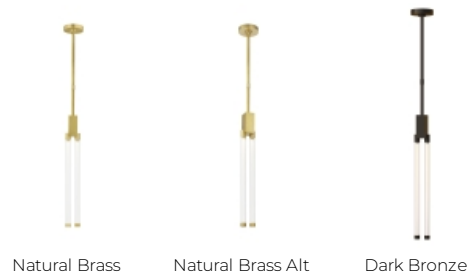
- Laser etched tubing to diffuse light surrounded by clear borosilicate glass
- This item is made of natural brass. It is a living finish that will patina and warm with age which adds richness. If it gets an uneven patina or spots, a brass cleaner can restore the finish
- Works as a stand-alone piece or makes a grand statement by installing in multiples
- Includes (2) 6" and (4) 12" rigid stems in coordinating finish.
- Fully dimmable integrated LED lamp
- Protected by a 5-year warranty. Please visit the "About Us" Page on techlighting.com for more for warranty details



Natural Brass

LAMPING

Includes 15 watt, 650 total delivered lumens, 90 CRI 2700K LED modules. Dimmable with most LED compatible ELV and TRIAC dimmers. Ships with 4-12" and 2-6" rigid stems. 120V-277V. Can be installed on a sloped ceiling up to 30°.



Natural Brass

Natural Brass Alt

Dark Bronze

ORDERING INFORMATION

700TDPHB2 LENGTH (A)	FINISH	LAMP
24-24"	BZ DARK BRONZE	-LED927 INTEGRATED LED 90 CRI 2700K 120V-277V UNIVERSAL
	NB NATURAL BRASS	-LED927 INTEGRATED LED 90 CRI 2700K 120V-277V UNV

700TDPHB2 _____

JOB NAME _____

NOTES _____

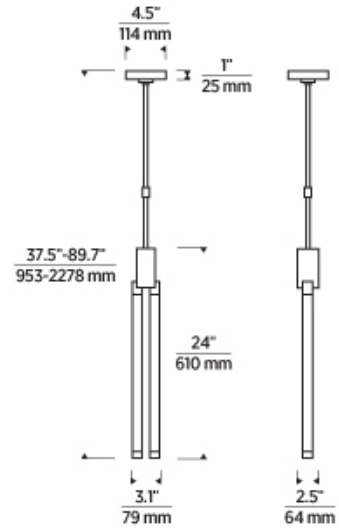


PHOBOS 2 LIGHT SMALL PENDANT



SPECIFICATIONS

PRIMARY MATERIAL	Brass
SHADE MATERIAL	Glass
NET WEIGHT	
HEIGHT	24in
WIDTH	2.5in
LENGTH	3.1in
UP LIGHT / DOWN LIGHT / BOTH?	
WET LISTED	
DAMP LISTED	Yes
DRY LISTED	
MIN. HANGING HEIGHT	31.5in
MAX HANGING HEIGHT	85.5in
TOTAL CORD LENGTH	
TOTAL STEM LENGTH	Up to 60in
STEM QTY	6
SLOPED CEILING ADAPTABLE?	Yes 30° Max
GENERAL LISTING	ETL Listed
INCLUDES	



LAMPING SPECIFICATIONS

	LED LAMP	INTEGRATED LED	NON LED	NO LAMP
DELIVERED LUMENS		650		
WATTS		15		
MAX WATTAGE PER BULB		15W		
INPUT VOLTAGE/ DIMMING TYPE		Universal 120V-277V ELV, TRIAC		
CCT		2700K		
CRI		90 CRI		
LED LIFETIME				
L70		>50000		
AVERAGE BULB HOURS				
FIELD SERVICEABLE LED				
LAMP BASE		Integrated LED		
LAMP SHAPE		Integrated LED		
LAMP INCLUDED?		True		
WARRANTY**		5 Years		

* Dimming information available at www.techlighting.com/Downloads#dimming

** Visit techlighting.com for specific warranty limitations and details.

T20 / T24 / JA8 INFORMATION

	Integrated LED	Replacement LED Lamp	No Lamp *
This product can be used to comply with California Building Energy Efficiency Standards 2016 Title 24 Part 6 / JA8.	Yes		
This product can be used to comply with California Appliance Efficiency Standards 2016 Title 20 and may be shipped to and sold in California.	N/A		

* If a light fixture or component does not include a lamp or light source, it is the responsibility of the customer to select a lamp that meets the T24 and T20 requirements.

