

# EBELL 2 LIGHT PENDANT

## PRODUCT FEATURES

- Laser etched interior light diffuser
- Works as a stand-alone piece or makes a grand statement by installing in multiples
- Provides up and down light
- Includes (2) 6" and (4) 12" rigid stems in coordinating finish.
- Fully dimmable integrated LED lamp
- Protected by a 5-year warranty. Please visit the "About Us" Page on [techlighting.com](http://techlighting.com) for more for warranty details



Natural Brass (Lit)

## LAMPING

Includes 25 watt, 1170 total delivered lumens, 90 CRI 2700K LED modules. Dimmable with most LED compatible ELV and TRIAC dimmers. 277V dimmable with 0-10V dimmers. Ships with 4-12" and 2-6" rigid stems. 120V or 277V. Can be installed on a sloped ceiling up to 30°. Up and downlight.



Antique Nickel (Lit)    Antique Nickel (Unlit)    Antique Nickel (Alt Lit)    Antique Nickel (Alt Unlit)

To view all available finish options, please visit [techlighting.com](http://techlighting.com)

## ORDERING INFORMATION

700TDEBL2	LENGTH (A)	FINISH	LAMP
	23 23"	<b>N</b> ANTIQUE NICKEL	-LED927 INTEGRATED LED 90 CRI 2700K 120V
		<b>Z</b> DARK BRONZE	-LED927-277 INTEGRATED LED 90 CRI 2700K 277V
		<b>NB</b> NATURAL BRASS	

700TDEBL2 \_\_\_\_\_

JOB NAME \_\_\_\_\_

NOTES \_\_\_\_\_

\_\_\_\_\_

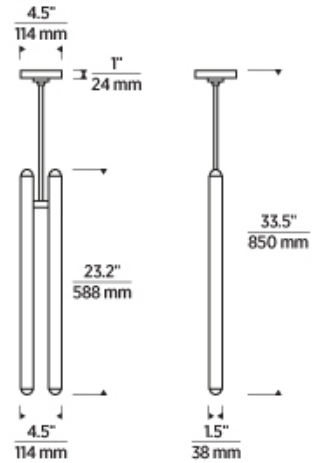
\_\_\_\_\_



# EBELL 2 LIGHT PENDANT

## SPECIFICATIONS

HARDWARE MATERIAL	Metal
SHADE MATERIAL	Crystal
NET WEIGHT	7 lbs
HEIGHT	23.5in
WIDTH	1.5in
LENGTH	4.5in
UP LIGHT / DOWN LIGHT / BOTH?	
WET LISTED	
DAMP LISTED	Yes
DRY LISTED	
MIN. HANGING HEIGHT	27.4in
MAX HANGING HEIGHT	81.4in
TOTAL CORD LENGTH	
TOTAL STEM LENGTH	Up to 60in
STEM QTY	6
SLOPED CEILING ADAPTABLE?	Yes 30° Max
GENERAL LISTING	ETL Listed
INCLUDES	



## LAMPING SPECIFICATIONS

	LED LAMP	INTEGRATED LED	NON LED	NO LAMP
DELIVERED LUMENS		1170		
WATTS		25		
MAX WATTAGE PER BULB		25W		
INPUT VOLTAGE		120V 277V		
DIMMING TYPE*		ELV, TRIAC 0-10V		
CCT		2700K		
CRI		90 CRI		
LED LIFETIME		>50000		
AVERAGE BULB HOURS				
FIELD SERVICEABLE LED				
LAMP BASE		Integrated LED		
LAMP SHAPE		Integrated LED		
LAMP INCLUDED?		True		
WARRANTY**		5 Years		

\* Dimming information available at [www.techlighting.com/Downloads#dimming](http://www.techlighting.com/Downloads#dimming)

\*\* Visit [techlighting.com](http://techlighting.com) for specific warranty limitations and details.

## T20 / T24 / JA8 INFORMATION

	Integrated LED	Replacement LED Lamp	No Lamp *
This product can be used to comply with California Building Energy Efficiency Standards 2016 <b>Title 24</b> Part 6 / <b>JA8</b> .	Yes		
This product can be used to comply with California Appliance Efficiency Standards 2016 <b>Title 20</b> and may be shipped to and sold in California.	N/A		

\* If a light fixture or component does not include a lamp or light source, it is the responsibility of the customer to select a lamp that meets the T24 and T20 requirements.

