

# STAGGER MEDIUM WALL SCONCE

## PRODUCT FEATURES

- Provides indirect light that gently reflects of the wall
- Ships with standard backplate for existing junction boxes or custom concealed new construction junction box for a more minimalist aesthetic
- Fully dimmable integrated LED lamp. Driver is remote.
- Protected by a 5-year warranty. Please visit the "About Us" Page on [techlighting.com](http://techlighting.com) for more for warranty details



## LAMPING

Includes 9.9 watt, 500 delivered lumens, 2700K LED module. 120V dimmable with most LED compatible ELV and TRIAC dimmers. 277V compatible with 0-10V dimmers. Mounts horizontally or vertically.

Polished Nickel Alt (Lit)



## ORDERING INFORMATION

700WSSTG	LENGTH (A)	FINISH	LAMP
	36 36"	<b>NB</b> NATURAL BRASS	-LED927 INTEGRATED LED 90 CRI 2700K 120V
		<b>B</b> NIGHTSHADE BLACK	-LED927-277 INTEGRATED LED 90 CRI 2700K 277V
		<b>N</b> POLISHED NICKEL	

700WSSTG \_\_\_\_\_

JOB NAME \_\_\_\_\_

NOTES \_\_\_\_\_

\_\_\_\_\_

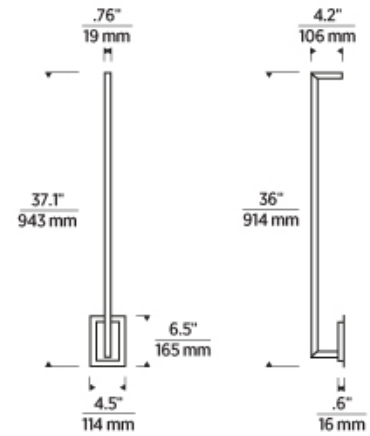
\_\_\_\_\_



# STAGGER MEDIUM WALL SCONCE

## SPECIFICATIONS

HARDWARE MATERIAL	Metal
SHADE MATERIAL	Acrylic
NET WEIGHT	3 lbs
HEIGHT	37.1in
WIDTH	4.2in
LENGTH	4.5in
MIN. EXTENSION FROM WALL	4.2in
UP LIGHT / DOWN LIGHT / BOTH?	
WET LISTED	
DAMP LISTED	Yes
DRY LISTED	
UP / DOWN	
HORIZONTAL / VERTICAL	
WALL / CEILING MOUNT	
GENERAL LISTING	ETL Listed
ADA COMPLIANT	
INCLUDES	



## LAMPING SPECIFICATIONS

	LED LAMP	INTEGRATED LED	NON LED	NO LAMP
DELIVERED LUMENS		500		
WATTS		9.9		
MAX WATTAGE PER BULB		9.9W		
INPUT VOLTAGE		120V 277V		
DIMMING TYPE*		ELV, TRIAC 0-10V		
CCT		2700K		
CRI		90 CRI		
LED LIFETIME				
L70		>50000		
AVERAGE BULB HOURS				
FIELD SERVICEABLE LED				
LAMP BASE		Integrated LED		
LAMP SHAPE		Integrated LED		
LAMP INCLUDED?		True		
WARRANTY**		5 Years		

\* Dimming information available at [www.techlighting.com/Downloads#dimming](http://www.techlighting.com/Downloads#dimming)

\*\* Visit [techlighting.com](http://techlighting.com) for specific warranty limitations and details.

## T20 / T24 / JA8 INFORMATION

	Integrated LED	Replacement LED Lamp	No Lamp *
This product can be used to comply with California Building Energy Efficiency Standards 2016 <b>Title 24</b> Part 6 / <b>JA8</b> .	Yes		
This product can be used to comply with California Appliance Efficiency Standards 2016 <b>Title 20</b> and may be shipped to and sold in California.	N/A		

\* If a light fixture or component does not include a lamp or light source, it is the responsibility of the customer to select a lamp that meets the T24 and T20 requirements.

