

ESFERA MEDIUM CHANDELIER

PRODUCT FEATURES

- Laser etched crystal captures the light
- Frame can be mounted up or down
- Includes (2) 6" and (4) 12" rigid stems in coordinating finish.
- Fully dimmable integrated LED lamp
- Protected by a 5-year warranty. Please visit the "About Us" Page on techlighting.com for more for warranty details



LAMPING

Includes 50.4 watts, 5040 total delivered lumens, 2700K LED modules. Dimmable with most LED compatible ELV and Triac dimmers. 277V dimmable with 0-10V dimmers. Ships with (4) 12" and (2) 6" rigid stems in coordinating finish. 120V or 277V.

Natural Brass



Natural Brass

Black

ORDERING INFORMATION

700ESF	LENGTH (A)	FINISH	LAMP
	32 32"	NB NATURAL BRASS	-LED927 INTEGRATED LED 90 CRI 2700K 120V
		B NIGHTSHADE BLACK	-LED927-277 INTEGRATED LED 90 CRI 2700K 277V

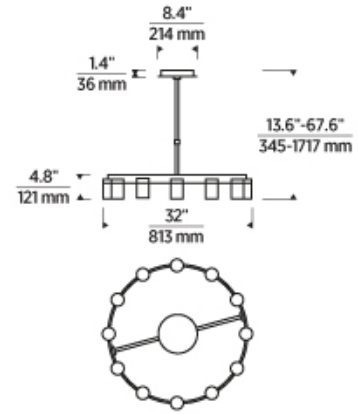
700ESF _____
JOB NAME _____
NOTES _____



ESFERA MEDIUM CHANDELIER

SPECIFICATIONS

HARDWARE MATERIAL	Metal
SHADE MATERIAL	Crystal
NET WEIGHT	42 lbs
HEIGHT	4.8in
WIDTH	32in
LENGTH	32in
UP LIGHT / DOWN LIGHT / BOTH?	
WET LISTED	
DAMP LISTED	Yes
DRY LISTED	
MIN. HANGING HEIGHT	13.5in
MAX HANGING HEIGHT	67.5in
TOTAL CORD LENGTH	
TOTAL STEM LENGTH	Up to 60in
STEM QTY	6
SLOPED CEILING ADAPTABLE?	No
GENERAL LISTING	ETL Listed
INCLUDES	



LAMPING SPECIFICATIONS

	LED LAMP	INTEGRATED LED	NON LED	NO LAMP
DELIVERED LUMENS		5040		
WATTS		50.4		
MAX WATTAGE PER BULB		50.4W		
INPUT VOLTAGE		120V 277V		
DIMMING TYPE*		ELV, TRIAC 0-10V		
CCT		2700K		
CRI		90 CRI		
LED LIFETIME		>50000		
AVERAGE BULB HOURS				
FIELD SERVICEABLE LED				
LAMP BASE		Integrated LED		
LAMP SHAPE		Integrated LED		
LAMP INCLUDED?		True		
WARRANTY**		5 Years		

* Dimming information available at www.techlighting.com/Downloads#dimming

** Visit techlighting.com for specific warranty limitations and details.

T20 / T24 / JA8 INFORMATION

	Integrated LED	Replacement LED Lamp	No Lamp *
This product can be used to comply with California Building Energy Efficiency Standards 2016 Title 24 Part 6 / JA8 .	Yes		
This product can be used to comply with California Appliance Efficiency Standards 2016 Title 20 and may be shipped to and sold in California.	N/A		

* If a light fixture or component does not include a lamp or light source, it is the responsibility of the customer to select a lamp that meets the T24 and T20 requirements.

