

ORBEL PYRAMID GRANDE

PRODUCT FEATURES

- Mid Century Modern Style
- Inspired by Mid-Century modern art with contrasting geometric shapes
- Metal triangles that encompass a frosted sphere of light
- Generously sized with a 24 inch height
- Compatible with most dimming options
- Protected by a 1-year warranty, please visit the "About Us" Page on techlighting.com for more for warranty details



Natural Brass 25"

LAMPING

(No Lamp) Rated for 120 volt (1) 60 watt max E26 medium base lamp (Not Included). LED 10 watt, 480 delivered lumens, 90 CRI 3000K, medium base LED A19 lamp. Dimmable with most LED compatible ELV and TRIAC dimmers. Includes 4-12" and 2-6" stems.



Nightshade Black 25"

Natural Brass 25"

Nightshade 25" Alt View

Natural Brass 25" Alt View

ORDERING INFORMATION

700TDOBLPG FINISH

- NB NATURAL BRASS
- B NIGHTSHADE BLACK

LAMP

- NO LAMP
- LED930 E26 A19 90 CRI 3000K 120V

700TDOBLPG _____

JOB NAME _____

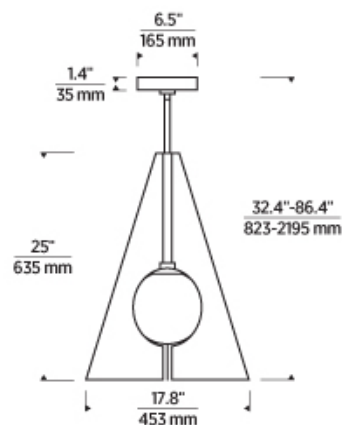
NOTES _____



ORBEL PYRAMID GRANDE

SPECIFICATIONS

HARDWARE MATERIAL	Metal
SHADE MATERIAL	Glass
NET WEIGHT	
HEIGHT	25in
WIDTH	17.8in
LENGTH	17.8in
UP LIGHT / DOWN LIGHT / BOTH?	
WET LISTED	
DAMP LISTED	Yes
DRY LISTED	
MIN. HANGING HEIGHT	32.4in
MAX HANGING HEIGHT	86.4in
TOTAL CORD LENGTH	
TOTAL STEM LENGTH	Up to 60in
STEM QTY	6
SLOPED CEILING ADAPTABLE?	Yes 20° Max
GENERAL LISTING	ETL Listed
INCLUDES	



LAMPING SPECIFICATIONS

	LED LAMP	INTEGRATED LED	NON LED	NO LAMP
DELIVERED LUMENS	480			
WATTS	10			
MAX WATTAGE PER BULB	60W		60W	
INPUT VOLTAGE	120V		120V	
DIMMING TYPE*	ELV, TRIAC		ELV, TRIAC	
CCT	3000K			
CRI	90 CRI			
LED LIFETIME				
L70	25000			
AVERAGE BULB HOURS				
FIELD SERVICEABLE LED				
LAMP BASE	E26 Medium Base		E26 Medium Base	
LAMP SHAPE	A19		A19	
LAMP INCLUDED?	True		False	
WARRANTY**	5 Years		5 Years	

*Dimming information available at www.techlighting.com/Downloads#dimming

** Visit techlighting.com for specific warranty limitations and details.

T20 / T24 / JA8 INFORMATION

	Integrated LED	Replacement LED Lamp	No Lamp *
This product can be used to comply with California Building Energy Efficiency Standards 2016 Title 24 Part 6 / JA8 .		Yes	N/A
This product can be used to comply with California Appliance Efficiency Standards 2016 Title 20 and may be shipped to and sold in California.		Yes	N/A

* If a light fixture or component does not include a lamp or light source, it is the responsibility of the customer to select a lamp that meets the T24 and T20 requirements.

