

# ORBET 42 CHANDELIER

## PRODUCT FEATURES

- Contemporary Modern Style
- Inspired by the classic pearl with perfectly spaced milk glass orbs
- Modern upgrade to the classic ring design
- Protected by a 5-year warranty. Please visit the "About Us" Page on [techlighting.com](http://techlighting.com) for more for warranty details



## LAMPING

Includes 49.6 watt, 3078 total delivered lumens, 90 CRI 2700K LED modules. Dimmable with most LED compatible ELV and TRIAC dimmers. Ships with 12 feet of field-cuttable matte black cord. 120V-277V

Nightshade Black



Nightshade Black

Natural Brass

Nightshade Black  
Alt View

Natural Brass Alt  
View

## ORDERING INFORMATION

700OBT	LENGTH (A)	FINISH	LAMP
	42 42"	NB NATURAL BRASS B NIGHTSHADE BLACK N POLISHED NICKEL	-LED927 INTEGRATED LED 90 CRI 2700K 120V-277V UNV

700OBT \_\_\_\_\_

JOB NAME \_\_\_\_\_

NOTES \_\_\_\_\_

\_\_\_\_\_

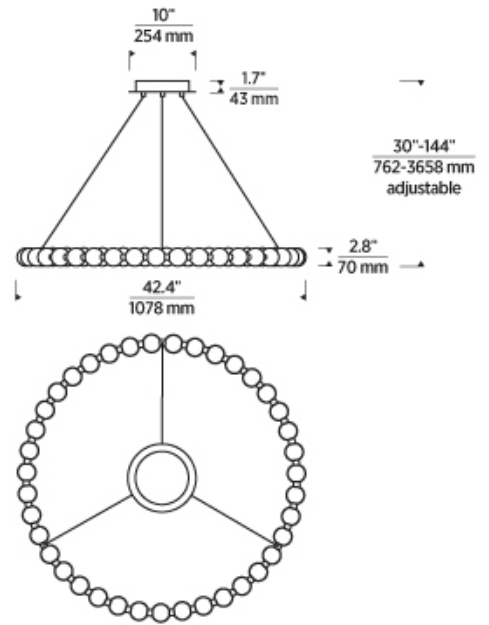
\_\_\_\_\_



# ORBET 42 CHANDELIER

## SPECIFICATIONS

HARDWARE MATERIAL	Metal
SHADE MATERIAL	Glass
NET WEIGHT	
HEIGHT	2.8in
WIDTH	42.4in
LENGTH	42.4in
UP LIGHT / DOWN LIGHT / BOTH?	
WET LISTED	
DAMP LISTED	Yes
DRY LISTED	
MIN. HANGING HEIGHT	30in
MAX HANGING HEIGHT	144in
TOTAL CORD LENGTH	144in
TOTAL STEM LENGTH	
STEM QTY	
SLOPED CEILING ADAPTABLE?	Yes 45° Max
GENERAL LISTING	ETL Listed
INCLUDES	



## LAMPING SPECIFICATIONS

	LED LAMP	INTEGRATED LED	NON LED	NO LAMP
DELIVERED LUMENS		3078		
WATTS		49.6		
MAX WATTAGE PER BULB		49.6W		
INPUT VOLTAGE		Universal 120V-277V		
DIMMING TYPE*		ELV, TRIAC		
CCT		2700K		
CRI		90 CRI		
LED LIFETIME		>50000		
L70				
AVERAGE BULB HOURS				
FIELD SERVICEABLE LED				
LAMP BASE		Integrated LED		
LAMP SHAPE		Integrated LED		
LAMP INCLUDED?		True		
WARRANTY**		5 Years		

\* Dimming information available at [www.techlighting.com/Downloads#dimming](http://www.techlighting.com/Downloads#dimming)

\*\* Visit [techlighting.com](http://techlighting.com) for specific warranty limitations and details.

## T20 / T24 / JA8 INFORMATION

	Integrated LED	Replacement LED Lamp	No Lamp *
This product can be used to comply with California Building Energy Efficiency Standards 2016 Title 24 Part 6 / JA8.	Yes		
This product can be used to comply with California Appliance Efficiency Standards 2016 Title 20 and may be shipped to and sold in California.	N/A		

\* If a light fixture or component does not include a lamp or light source, it is the responsibility of the customer to select a lamp that meets the T24 and T20 requirements.

