

KADIA 16 TABLE LAMP

PRODUCT FEATURES

- Contemporary Modern Style
- Featuring linear geometry, a thin illuminating arm is counter balanced with a robust base
- Designed to reflect the balance between form and function
- Protected by a 5-year warranty. Please visit the "About Us" Page on techlighting.com for more for warranty details
- Offered in modern finishes



LAMPING

Includes 120-240 volt 10 watts, 550 delivered lumens, 90 CRI 2700K LED module. Built-in three way dimming. Includes 6 feet of black cloth cord.

Nightshade Black Base Nightshade Black Shade



Nightshade Black Base Nightshade Black Shade

Nightshade Black Base Natural Brass Shade

Nightshade Black Shade 3/4 View

Nightshade Black Base Natural Brass Shade 3/4 View

ORDERING INFORMATION

700PRTKDA16 FINISH

NB NATURAL BRASS
B NIGHTSHADE BLACK

LAMP

-LED927 INTEGRATED LED 90 CRI 2700K 120V-240V

700PRTKDA16 _____

JOB NAME _____

NOTES _____

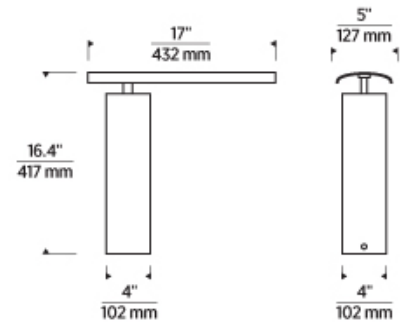


KADIA 16 TABLE LAMP



SPECIFICATIONS

HARDWARE MATERIAL	Metal
SHADE MATERIAL	Aluminum or Brass
NET WEIGHT	
HEIGHT	16.4in
WIDTH	5in
LENGTH	17in
WET LISTED	
DAMP LISTED	Yes
DRY LISTED	
GENERAL LISTING	ETL Listed
INCLUDES	



LAMPING SPECIFICATIONS

	LED LAMP	INTEGRATED LED	NON LED	NO LAMP
DELIVERED LUMENS		550		
WATTS		10		
MAX WATTAGE PER BULB		10W		
INPUT VOLTAGE		120-240V		
DIMMING TYPE*		Integrated 3-Step Touch Dimmer		
CCT		2700K		
CRI		90 CRI		
LED LIFETIME				
L70		>50000		
AVERAGE BULB HOURS				
FIELD SERVICEABLE LED				
LAMP BASE		Integrated LED		
LAMP SHAPE		Integrated LED		
LAMP INCLUDED?		True		
WARRANTY**		5 Years		

* Dimming information available at www.techlighting.com/Downloads#dimming

** Visit techlighting.com for specific warranty limitations and details.

T20 / T24 / JA8 INFORMATION

	Integrated LED	Replacement LED Lamp	No Lamp *
This product can be used to comply with California Building Energy Efficiency Standards 2016 Title 24 Part 6 / JA8.	No		
This product can be used to comply with California Appliance Efficiency Standards 2016 Title 20 and may be shipped to and sold in California.	Yes		

* If a light fixture or component does not include a lamp or light source, it is the responsibility of the customer to select a lamp that meets the T24 and T20 requirements.

