

KLEE 18 TABLE LAMP

PRODUCT FEATURES

- Klee is inspired by the Bauhaus movement with minimalist straight lines and a thin LED light guide panel.
- Available in modern finishes
- Includes 6 feet of black cloth cord
- Integrated 3-step touch-dimmer
- This item is made of natural brass. It is a living finish that will patina and warm with age which adds richness. If it gets an uneven patina or spots, a brass cleaner can restore the finish
- Protected by a 5-year warranty. Please visit the "About Us" Page on techlighting.com for more for warranty details



LAMPING

Includes 120-240 volt 10 watts, 676 delivered lumens, 90 CRI 2700K LED module. Built-in three way dimming. Includes 6 feet of black cloth cord.



ORDERING INFORMATION

700PRTKLE18 FINISH

NB NATURAL BRASS/WHITE MARBLE
N POLISHED NICKEL

LAMP

-LED927 INTEGRATED LED 90 CRI 2700K 120V-240V

700PRTKLE18 _____

JOB NAME _____

NOTES _____

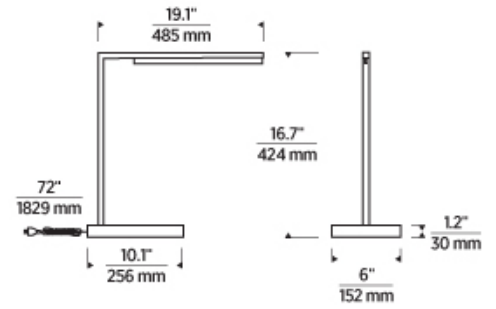


KLEE 18 TABLE LAMP



SPECIFICATIONS

PRIMARY MATERIAL	Aluminum
SHADE MATERIAL	Acrylic
NET WEIGHT	7.5 lbs
HEIGHT	16.7in
WIDTH	6in
LENGTH	19.1in
WET LISTED	
DAMP LISTED	Yes
DRY LISTED	
GENERAL LISTING	ETL Listed
INCLUDES	



LAMPING SPECIFICATIONS

	LED LAMP	INTEGRATED LED	NON LED	NO LAMP
DELIVERED LUMENS		676.0		
WATTS		10		
MAX WATTAGE PER BULB		10W		
INPUT VOLTAGE/ DIMMING TYPE		120V-240V Integrated 3-Step Touch Dimmer		
CCT		2700K		
CRI		90 CRI		
LED LIFETIME				
L70		>50000		
AVERAGE BULB HOURS				
FIELD SERVICEABLE LED				
LAMP BASE		Integrated LED		
LAMP SHAPE		Integrated LED		
LAMP INCLUDED?		True		
WARRANTY**		5 Years		

* Dimming information available at www.techlighting.com/Downloads#dimming

** Visit techlighting.com for specific warranty limitations and details.

T20 / T24 / JA8 INFORMATION

	Integrated LED	Replacement LED Lamp	No Lamp *
This product can be used to comply with California Building Energy Efficiency Standards 2016 Title 24 Part 6 / JA8.	No		
This product can be used to comply with California Appliance Efficiency Standards 2016 Title 20 and may be shipped to and sold in California.	Yes		

* If a light fixture or component does not include a lamp or light source, it is the responsibility of the customer to select a lamp that meets the T24 and T20 requirements.

