

BROX CUBE 24 PENDANT

PRODUCT FEATURES

- The Brox system allows multi-dimensionality for suspending unique geometric shapes, linear lighting, task lighting, or a distinctive light sculpture
- Customize your design with countless configurations
- Available in Nightshade Black Finish
- Light bars rotate 360 degrees and are lockable for direct or indirect illumination
- System includes all components required for installation
- Protected by a 5-year warranty. Please visit the "About Us" Page on techlighting.com for more for warranty details



Black



Black

LAMPING

Includes 38.4 watts, 2373.2 total delivered lumens, 2374.8 LED modules. Dimmable with most LED compatible ELV and TRIAC dimmers. Can be installed on a sloped ceiling up to 45°.

ORDERING INFORMATION

700BRX	SHAPE OR SIZE	CRI	COLOR TEMP	LENGTH (A)	FINISH	LAMP
	C CUBE	L9 90 CRI	30 3000K	24 24"	B NIGHTSHADE BLACK	R 24V REMOTE CANOPY S 24V SURFACE CANOPY

700BRX _____

JOB NAME _____

NOTES _____

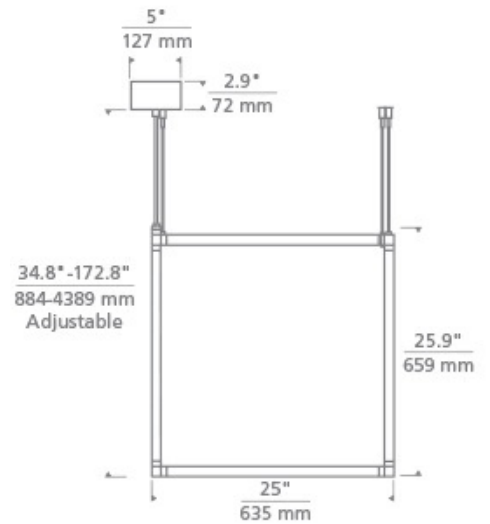


BROX CUBE 24 PENDANT



SPECIFICATIONS

HARDWARE MATERIAL	Metal
SHADE MATERIAL	Acrylic
NET WEIGHT	14 lbs
HEIGHT	25.9in
WIDTH	25in
LENGTH	25in
WET LISTED	
DAMP LISTED	Yes
DRY LISTED	
GENERAL LISTING	ETL Listed
INCLUDES	



LAMPING SPECIFICATIONS

	LED LAMP	INTEGRATED LED	NON LED	NO LAMP
DELIVERED LUMENS		2375.0		
WATTS		38.4		
MAX WATTAGE PER BULB		38.4W		
INPUT VOLTAGE				
DIMMING TYPE*		ELV		
CCT		3000K		
CRI		90 CRI		
LED LIFETIME				
L70		>50000		
AVERAGE BULB HOURS				
FIELD SERVICEABLE LED				
LAMP BASE		Integrated LED		
LAMP SHAPE		Integrated LED		
LAMP INCLUDED?		True		
WARRANTY**		5 Years		

*Dimming information available at www.techlighting.com/Downloads#dimming

** Visit techlighting.com for specific warranty limitations and details.

T20 / T24 / JA8 INFORMATION

	Integrated LED	Replacement LED Lamp	No Lamp *
This product can be used to comply with California Building Energy Efficiency Standards 2016 Title 24 Part 6 / JA8 .	Yes		
This product can be used to comply with California Appliance Efficiency Standards 2016 Title 20 and may be shipped to and sold in California.	N/A		

* If a light fixture or component does not include a lamp or light source, it is the responsibility of the customer to select a lamp that meets the T24 and T20 requirements.

