

PRODUCT FEATURES

- Inspired by the Lotus flower, Belterra 30 may be installed as a Flush Mount or Chandelier
- Designed with LED lightguides technology to illuminate any space
- Available in three finishes, Natural Brass that will patina over time, Matte Black and Polished Nickel
- Can be installed on a sloped ceiling up to 20°
- Ships with (2) 6" and (4) 12" rigid stems in coordinating finish
- Protected by a 5-year warranty. Please visit the "About Us" Page on techlighting.com for more for warranty details



LAMPING

Includes 33 watts, 2399 total delivered lumens, 3000K LED modules. Dimmable with most LED compatible ELV and TRIAC dimmers. Ships with (4) 12" and (2) 6" rigid stems in coordinating finish. Can be installed on a sloped ceiling up to 20°. 120V.

Matte Black



Matte Black

Polished Nickel

Natural Brass

ORDERING INFORMATION

700BLT	SHAPE OR SIZE	FINISH	LAMP
	30 30	B MATTE BLACK NB NATURAL BRASS N POLISHED NICKEL	-LED930 INTEGRATED LED 90 CRI 3000K 120V

700BLT _____

JOB NAME _____

NOTES _____

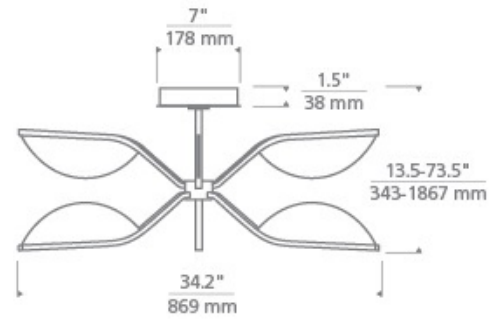


BELTERRA 30 FLUSHMOUNT/CHANDELIER



SPECIFICATIONS

HARDWARE MATERIAL	Metal
SHADE MATERIAL	Acrylic
NET WEIGHT	5 lbs
HEIGHT	13.5in
WIDTH	34.2in
LENGTH	34.2in
UP LIGHT / DOWN LIGHT / BOTH?	
WET LISTED	
DAMP LISTED	Yes
DRY LISTED	
WALL / CEILING MOUNT	
GENERAL LISTING	ETL Listed
INCLUDES	



LAMPING SPECIFICATIONS

	LED LAMP	INTEGRATED LED	NON LED	NO LAMP
DELIVERED LUMENS		2399		
WATTS		32		
MAX WATTAGE PER BULB		32W		
INPUT VOLTAGE		120V		
DIMMING TYPE*		ELV, TRIAC		
CCT		3000K		
CRI		90 CRI		
LED LIFETIME				
L70		>50000		
AVERAGE BULB HOURS				
FIELD SERVICEABLE LED				
LAMP BASE		Integrated LED		
LAMP SHAPE		Integrated LED		
LAMP INCLUDED?		True		
WARRANTY**		5 Years		

*Dimming information available at www.techlighting.com/Downloads#dimming

** Visit techlighting.com for specific warranty limitations and details.

T20 / T24 INFORMATION

	Integrated LED	Replacement LED Lamp	No Lamp *
This product can be used to comply with California Building Energy Efficiency Standards 2016 Title 24 Part 6.	Yes		
This product can be used to comply with California Appliance Efficiency Standards 2016 Title 20 and may be shipped to and sold in California.	N/A		

* If a light fixture or component does not include a lamp or light source, it is the responsibility of the customer to select a lamp that meets the T24 and T20 requirements.

