

## PRODUCT FEATURES

- High-tech display head that combines simplicity with practical technology
- Precise light beam that directs light where you want it
- Available in modern finishes
- Compatible with the Monorail and Monopoint systems by Tech Lighting
- Lamping options are compatible with most dimmers
- Protected by a 5-year warranty. Please visit the "About Us" Page on [techlighting.com](http://techlighting.com) for more for warranty details



## LAMPING

Includes 12 volt 8 watt, 750.2 total delivered lumens, 3000K, LED module. Dimmable with Low-Voltage electronic or magnetic dimmer (based on transformer). Provided with 20°, 40° and 60° beams spread lenses. The inrush current is reduced so that the Tellium LED head can be loaded to a standard 70% of the transformer's maximum rated wattage. Additionally, the dimming performance will be more stable and have a lower minimum dim level than the existing integrated LED heads.



## ORDERING INFORMATION

700	SYSTEM	TLML	LENGTH (A)	FINISH	LAMP
	FJ FREEJACK	3	3"	R AGED BRASS	-LED930 INTEGRATED LED 90 CRI 3000K 120V (T24)
	MP MONOPOINT	6	6"	Z ANTIQUE BRONZE	
	MO MONORAIL	12	12"	S SATIN NICKEL	
				W WHITE	

Note. MP includes 4" Round Flush Canopy. Aged Brass is not available for Two-Circuit Monorail. For custom stem lengths, please contact the Quotes Department.

700 \_\_\_\_\_ TLML \_\_\_\_\_

JOB NAME \_\_\_\_\_

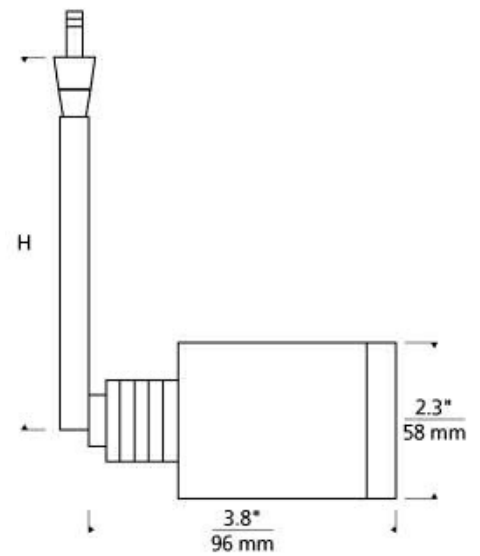
NOTES \_\_\_\_\_



# TELLIUM LED HEAD

## SPECIFICATIONS

HARDWARE MATERIAL	Metal
SHADE MATERIAL	Aluminum
NET WEIGHT	1 lbs
HEIGHT	2.3in
WIDTH	3.8in
LENGTH	2.3in
BEAM SPREAD	
UP LIGHT / DOWN LIGHT / BOTH?	
WET LISTED	
DAMP LISTED	
DRY LISTED	Yes
MIN. HANGING HEIGHT	12in
MAX HANGING HEIGHT	12in
TOTAL CORD LENGTH	
SLOPED CEILING ADAPTABLE?	N/A
GENERAL LISTING	ETL Listed
INCLUDES	



## LAMPING SPECIFICATIONS

	LED LAMP	INTEGRATED LED	NON LED	NO LAMP
DELIVERED LUMENS		750		
WATTS		8		
MAX WATTAGE PER BULB		8W		
INPUT VOLTAGE		12V 120V		
DIMMING TYPE*		ELV, TRIAC		
CCT		3000K		
CRI		90 CRI		
LED LIFETIME				
L70		>50000		
AVERAGE BULB HOURS				
FIELD SERVICEABLE LED				
LAMP BASE		Integrated LED		
LAMP SHAPE		Integrated LED		
LAMP INCLUDED?		True		
WARRANTY**		5 Years		

\* Dimming information available at [www.techlighting.com/Downloads#dimming](http://www.techlighting.com/Downloads#dimming)

\*\* Visit [techlighting.com](http://techlighting.com) for specific warranty limitations and details.

## T20 / T24 / JA8 INFORMATION

	Integrated LED	Replacement LED Lamp	No Lamp *
This product can be used to comply with California Building Energy Efficiency Standards 2016 <b>Title 24</b> Part 6 / <b>JA8</b> .	Yes		
This product can be used to comply with California Appliance Efficiency Standards 2016 <b>Title 20</b> and may be shipped to and sold in California.	N/A		

\* If a light fixture or component does not include a lamp or light source, it is the responsibility of the customer to select a lamp that meets the T24 and T20 requirements.

