

## PRODUCT FEATURES

- For the modern appeal, two glass spurs extend in opposite directions and are illuminated by a compact diffused LED
- Mounts vertically or horizontally to accommodate any space
- Complete the look with the entire Spur family, including the chandeliers, ceiling mount and pendant
- Lamping options are compatible with most dimmers
- The LED Driver is housed within the junction box for this product
- Protected by a 5-year warranty. please visit the "About Us" Page on [techlighting.com](http://techlighting.com) for more for warranty details



## LAMPING

Includes 120 volt 11 watts, 729 total delivered lumens 2700K LED module. Dimmable with most LED compatible ELV and TRIAC dimmers. 277V compatible with 0-10V dimmers. Mounts up or down.

Frost/Aged Brass



To view all available finish options, please visit [techlighting.com](http://techlighting.com)

## ORDERING INFORMATION

### 700WSSPR FINISH

- R AGED BRASS
- B MATTE BLACK
- N POLISHED NICKEL
- S SATIN NICKEL

### LAMP

- LED927 INTEGRATED LED 90 CRI 2700K 120V (T24)
- LED927-277 INTEGRATED LED 90 CRI 2700K 277V

700WSSPR \_\_\_\_\_

JOB NAME \_\_\_\_\_

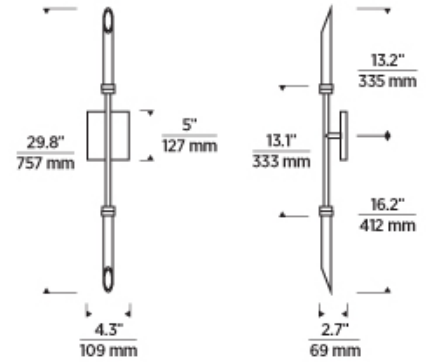
NOTES \_\_\_\_\_



# SPUR WALL

## SPECIFICATIONS

PRIMARY MATERIAL	Steel
SHADE MATERIAL	Glass
NET WEIGHT	2 lbs
HEIGHT	29.8in
WIDTH	2.7in
LENGTH	4.3in
MIN. EXTENSION FROM WALL	2.7in
UP LIGHT / DOWN LIGHT / BOTH?	
WET LISTED	
DAMP LISTED	Yes
DRY LISTED	
UP / DOWN	
HORIZONTAL / VERTICAL	
WALL / CEILING MOUNT	
GENERAL LISTING	ETL Listed
ADA COMPLIANT	
INCLUDES	



## LAMPING SPECIFICATIONS

	LED LAMP	INTEGRATED LED	NON LED	NO LAMP
DELIVERED LUMENS		729		
WATTS		11		
MAX WATTAGE PER BULB		11W		
INPUT VOLTAGE/ DIMMING TYPE		120V ELV, TRIAC 277V 0-10V		
CCT		2700K		
CRI		90 CRI		
LED LIFETIME				
L70		>50000		
AVERAGE BULB HOURS				
FIELD SERVICEABLE LED				
LAMP BASE		Integrated LED		
LAMP SHAPE		Integrated LED		
LAMP INCLUDED?		True		
WARRANTY**		5 Years		

\*Dimming information available at [www.techlighting.com/Downloads#dimming](http://www.techlighting.com/Downloads#dimming)

\*\* Visit [techlighting.com](http://techlighting.com) for specific warranty limitations and details.

## T20 / T24 / JA8 INFORMATION

	Integrated LED	Replacement LED Lamp	No Lamp *
This product can be used to comply with California Building Energy Efficiency Standards 2016 Title 24 Part 6 / JA8.	Yes		
This product can be used to comply with California Appliance Efficiency Standards 2016 Title 20 and may be shipped to and sold in California.	N/A		

\* If a light fixture or component does not include a lamp or light source, it is the responsibility of the customer to select a lamp that meets the T24 and T20 requirements.

