

SPECTICA 8 CHANDELIER

PRODUCT FEATURES

- Highly modern and inventive lighting design
- Conveniently adjustable look with a swiveling canopy, adjustable arms and rotating head
- Available in Matte Black
- Fully dimmable unidirectional Integrated LED light source
- Ideal for dining room settings, foyers and conference rooms
- 5 year warranty with integrated LED. Visit techlighting.com for more warranty details



LAMPING

Includes three 12" stems, two 6" stems and one 3" stem. LED includes (8) 6.3 watt, 56 watts total, 3011 total delivered lumens 90 CRI 3000K LED module. Dimmable with a low-voltage electronic dimmer. 120v or 277v. Can be installed on a sloped ceiling up to 45°.

Matte Black



Matte Black

Plated Brass

ORDERING INFORMATION

700LSSPCT	COLOR	FINISH	LAMP
	ACRYLIC	B MATTE BLACK	-LED930 LED 90 CRI 3000K 120V
		BR PLATED BRASS	-LED930-277 LED 90 CRI 3000K 277V

700LSSPCT _____

JOB NAME _____

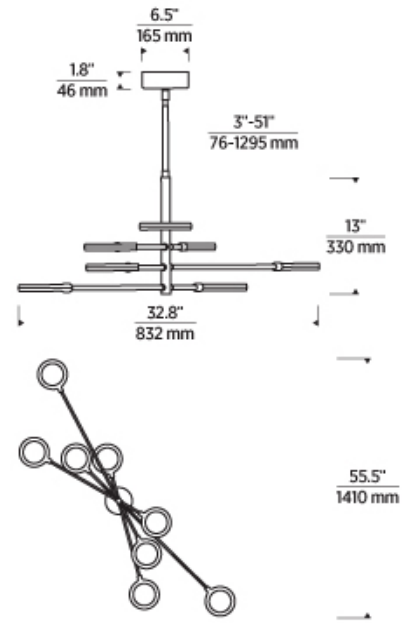
NOTES _____



SPECTICA 8 CHANDELIER

SPECIFICATIONS

PRIMARY MATERIAL	Aluminum
SHADE MATERIAL	Aluminum
NET WEIGHT	10.5 lbs
HEIGHT	7.1in
WIDTH	5.3in
LENGTH	51.3in
UP LIGHT / DOWN LIGHT / BOTH?	
WET LISTED	
DAMP LISTED	
DRY LISTED	
MIN. HANGING HEIGHT	17.4in
MAX HANGING HEIGHT	65.4in
TOTAL CORD LENGTH	
TOTAL STEM LENGTH	Up to 51in
STEM QTY	6
SLOPED CEILING ADAPTABLE?	Yes 45° Max
GENERAL LISTING	ETL Listed
INCLUDES	



LAMPING SPECIFICATIONS

	LED LAMP	INTEGRATED LED	NON LED	NO LAMP
DELIVERED LUMENS		3011		
WATTS		56		
MAX WATTAGE PER BULB		56W		
INPUT VOLTAGE/ DIMMING TYPE		120V ELV, TRIAC 277V 0-10V		
CCT		3000K		
CRI		90 CRI		
LED LIFETIME				
L70		>50000		
AVERAGE BULB HOURS				
FIELD SERVICEABLE LED				
LAMP BASE		Integrated LED		
LAMP SHAPE		Integrated LED		
LAMP INCLUDED?		True		
WARRANTY**		5 Years		

*Dimming information available at www.techlighting.com/Downloads#dimming

** Visit techlighting.com for specific warranty limitations and details.

T20 / T24 / JA8 INFORMATION

	Integrated LED	Replacement LED Lamp	No Lamp *
This product can be used to comply with California Building Energy Efficiency Standards 2016 Title 24 Part 6 / JA8.	Yes		
This product can be used to comply with California Appliance Efficiency Standards 2016 Title 20 and may be shipped to and sold in California.	N/A		

* If a light fixture or component does not include a lamp or light source, it is the responsibility of the customer to select a lamp that meets the T24 and T20 requirements.

