

PHOTON 34 CHANDELIER

PRODUCT FEATURES

- Playful starburst design can be installed in multiples at varying heights for a dramatic art installation
- Fully dimmable with most ELV dimmers to create just the right atmosphere
- Solid acrylic arms with aluminum core construction for beauty and durability
- Protected by a 5-year warranty. please go to www.techlighting.com for warranty details
- 10 ft. of cord included to adjust installation height. canopy finish matches fixture finish



Aged Brass



Aged Brass

Satin Nickel

LAMPING

LED includes (12) 2 watt, 23.5 total watts, 1897 total delivered lumens 90 CRI 3000K LED modules. Dimmable with most LED compatible ELV and TRIAC dimmers. 277V compatible with 0-10V dimmers. Includes 10 feet of field-cutable cable.

ORDERING INFORMATION

700PHT34	FINISH	LAMP
	R AGED BRASS	-LED930A INTEGRATED LED 90 CRI 3000K 120V
	S SATIN NICKEL	-LED930A-277 INTEGRATED LED 90 CRI 3000K 277V

700PHT34 _____

JOB NAME _____

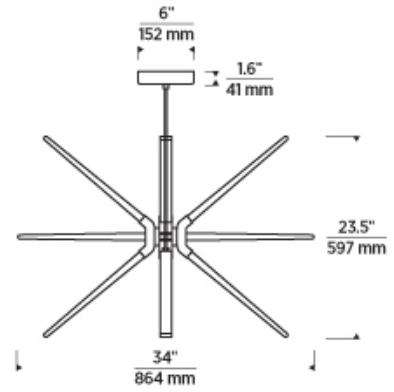
NOTES _____



PHOTON 34 CHANDELIER

SPECIFICATIONS

PRIMARY MATERIAL	Aluminum
SHADE MATERIAL	Acrylic
NET WEIGHT	9.5 lbs
HEIGHT	23.5in
WIDTH	34in
LENGTH	34in
UP LIGHT / DOWN LIGHT / BOTH?	
WET LISTED	
DAMP LISTED	Yes
DRY LISTED	
MIN. HANGING HEIGHT	43.1in
MAX HANGING HEIGHT	135.1in
TOTAL CORD LENGTH	120in
TOTAL STEM LENGTH	
STEM QTY	
SLOPED CEILING ADAPTABLE?	Yes 45° Max
GENERAL LISTING	ETL Listed
INCLUDES	



LAMPING SPECIFICATIONS

	LED LAMP	INTEGRATED LED	NON LED	NO LAMP
DELIVERED LUMENS		1897		
WATTS		23.5		
MAX WATTAGE PER BULB		23.5W		
INPUT VOLTAGE/ DIMMING TYPE		120V ELV, TRIAC		
CCT		3000K		
CRI		90 CRI		
LED LIFETIME				
L70		>50000		
AVERAGE BULB HOURS				
FIELD SERVICEABLE LED				
LAMP BASE		Integrated LED		
LAMP SHAPE		Integrated LED		
LAMP INCLUDED?		True		
WARRANTY**		5 Years		

* Dimming information available at www.techlighting.com/Downloads#dimming

** Visit techlighting.com for specific warranty limitations and details.

T20 / T24 / JA8 INFORMATION

	Integrated LED	Replacement LED Lamp	No Lamp *
This product can be used to comply with California Building Energy Efficiency Standards 2016 Title 24 Part 6 / JA8.	No		
This product can be used to comply with California Appliance Efficiency Standards 2016 Title 20 and may be shipped to and sold in California.	N/A		

* If a light fixture or component does not include a lamp or light source, it is the responsibility of the customer to select a lamp that meets the T24 and T20 requirements.

