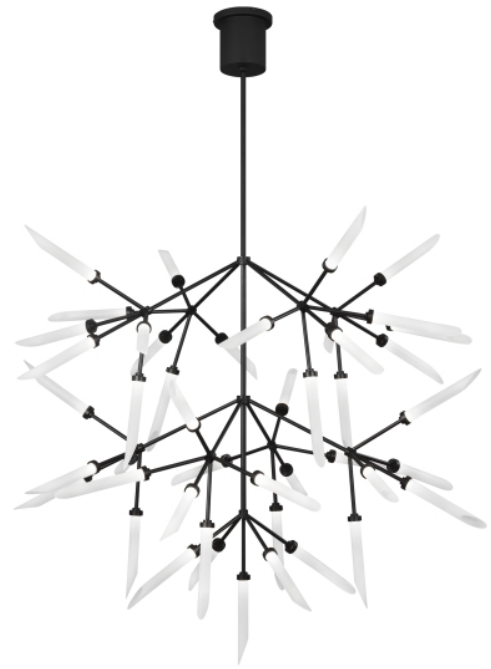


# SPUR GRANDE CHANDELIER

## PRODUCT FEATURES

- Impactful modern chandelier in a universally appealing size
- Use alone for medium room applications, or as dramatic foyer lighting
- Complementary Spur chandelier also available from Tech Lighting
- Fully dimmable LED lamping options to create the desired ambiance
- High quality, long-lasting integrated LED lamping included to save you time and money
- Protected by a 5-year warranty, please visit [www.techlighting.com](http://www.techlighting.com) for details



Frost/Matte Black

## LAMPING

Includes (45) 2.6 watt, 112 delivered lumen (4113 total delivered lumens), 2700K, LED modules. Fixture ships with 60 inches of variable rigid stems (one 12 inch & two 24 inch) in coordinating finish. Dimmable with most LED compatible ELV dimmers. Can be installed on a sloped ceiling up to 35°.



Frost/Aged Brass

Frost/Matte Black

## ORDERING INFORMATION

700SPRG	COLOR	FINISH	LAMP
	F FROST	R AGED BRASS B MATTE BLACK	-LED927 LED 90 CRI 2700K 120V

700SPRG \_\_\_\_\_

JOB NAME \_\_\_\_\_

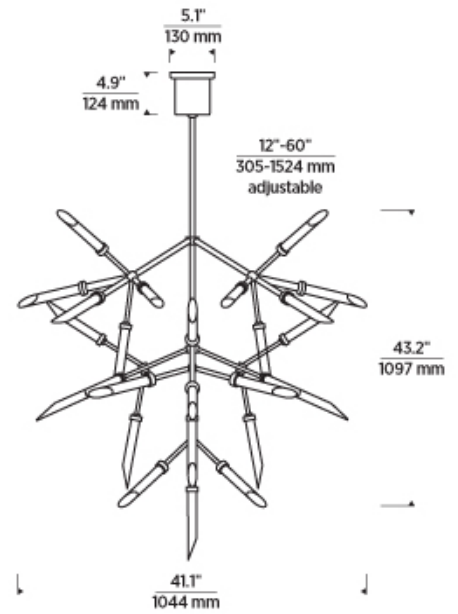
NOTES \_\_\_\_\_



# SPUR GRANDE CHANDELIER

## SPECIFICATIONS

PRIMARY MATERIAL	Aluminum
SHADE MATERIAL	Glass
NET WEIGHT	16 lbs
HEIGHT	43.2in
WIDTH	41.1in
LENGTH	41.1in
UP LIGHT / DOWN LIGHT / BOTH?	
WET LISTED	
DAMP LISTED	Yes
DRY LISTED	
MIN. HANGING HEIGHT	56in
MAX HANGING HEIGHT	104in
TOTAL CORD LENGTH	
TOTAL STEM LENGTH	Up to 60in
STEM QTY	6
SLOPED CEILING ADAPTABLE?	Yes 35° Max
GENERAL LISTING	ETL Listed
INCLUDES	



## LAMPING SPECIFICATIONS

	LED LAMP	INTEGRATED LED	NON LED	NO LAMP
DELIVERED LUMENS		4113		
WATTS		112		
MAX WATTAGE PER BULB		112W		
INPUT VOLTAGE/ DIMMING TYPE		120V ELV, TRIAC		
CCT		2700K		
CRI		90 CRI		
LED LIFETIME				
L70		>50000		
AVERAGE BULB HOURS				
FIELD SERVICEABLE LED				
LAMP BASE		Integrated LED		
LAMP SHAPE		Integrated LED		
LAMP INCLUDED?		True		
WARRANTY**		5 Years		

\* Dimming information available at [www.techlighting.com/Downloads#dimming](http://www.techlighting.com/Downloads#dimming)

\*\* Visit [techlighting.com](http://techlighting.com) for specific warranty limitations and details.

## T20 / T24 / JA8 INFORMATION

	Integrated LED	Replacement LED Lamp	No Lamp *
This product can be used to comply with California Building Energy Efficiency Standards 2016 <b>Title 24</b> Part 6 / JA8.	No		
This product can be used to comply with California Appliance Efficiency Standards 2016 <b>Title 20</b> and may be shipped to and sold in California.	N/A		

\* If a light fixture or component does not include a lamp or light source, it is the responsibility of the customer to select a lamp that meets the T24 and T20 requirements.

