

GAMBIT 19-LIGHT CHANDELIER

PRODUCT FEATURES

- Mixed materials and contrasting design elements combine for a warm contemporary design
- Complementary Gambit wall sconce lights also available from Tech Lighting
- Progressive scale options perfect for kitchen island lighting or dining room lighting applications
- Fully dimmable LED lamping options to create the desired ambiance
- Protected by a 1-year warranty, please visit www.techlighting.com for details



Aged Brass

LAMPING

Rated for up to (19) 5 watt MAX. E12 candelabra base lamps (Lamp Not Included), LED version includes (19) 120 volt 2 watt 160 delivered lumen (3278 total delivered lumens) 90 CRI 2700K E12 base LED vintage tubular lamps. Fixture provided with 10 feet of field-cuttable black cloth cord. Dimmable with most LED compatible ELV and TRIAC dimmers.



Aged Brass

ORDERING INFORMATION

700GMBMP SHAPE OR SIZE	COLOR	FINISH	LAMP
19 19-LITE CHANDELIER	C CLEAR	R AGED BRASS S SATIN NICKEL	NO LAMP -LED927 LED 90 CRI 2700K 120V (T20/T24)

700GMBMP _____

JOB NAME _____

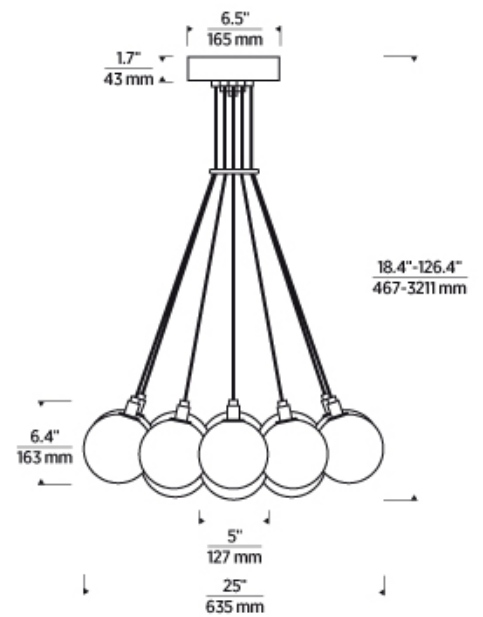
NOTES _____



GAMBIT 19-LIGHT CHANDELIER

SPECIFICATIONS

PRIMARY MATERIAL	Glass
SHADE MATERIAL	Glass
NET WEIGHT	7.5 lbs
HEIGHT	6.4in
WIDTH	22.3in
LENGTH	25in
UP LIGHT / DOWN LIGHT / BOTH?	
WET LISTED	
DAMP LISTED	Yes
DRY LISTED	
MIN. HANGING HEIGHT	18.4in
MAX HANGING HEIGHT	126.4in
TOTAL CORD LENGTH	120in
TOTAL STEM LENGTH	
STEM QTY	
SLOPED CEILING ADAPTABLE?	Yes 35° Max
GENERAL LISTING	ETL Listed
INCLUDES	



LAMPING SPECIFICATIONS

	LED LAMP	INTEGRATED LED	NON LED	NO LAMP
DELIVERED LUMENS	3278.0			
WATTS	2			
MAX WATTAGE PER BULB	5W		5W	
INPUT VOLTAGE/ DIMMING TYPE	120V ELV, TRIAC		120V ELV, TRIAC	
CCT	2700K			
CRI	90 CRI			
LED LIFETIME				
L70	>25000			
AVERAGE BULB HOURS				
FIELD SERVICEABLE LED				
LAMP BASE	E12 Candelabra Base		E12 Candelabra Base	
LAMP SHAPE	T6		T6	
LAMP INCLUDED?	True		False	
WARRANTY**	1 Year		1 Year	

* Dimming information available at www.techlighting.com/Downloads#dimming

** Visit techlighting.com for specific warranty limitations and details.

T20 / T24 / JA8 INFORMATION

	Integrated LED	Replacement LED Lamp	No Lamp *
This product can be used to comply with California Building Energy Efficiency Standards 2016 Title 24 Part 6 / JA8.		Yes	N/A
This product can be used to comply with California Appliance Efficiency Standards 2016 Title 20 and may be shipped to and sold in California.		Yes	N/A

* If a light fixture or component does not include a lamp or light source, it is the responsibility of the customer to select a lamp that meets the T24 and T20 requirements.

