

## PRODUCT FEATURES

- Geometrically inspired with a slightly complex design style
- Clear injection molded plastic inserts add depth and dimension
- Ideal for residential and commercial lighting applications
- Ships with an energy efficient integrated LED lamp
- Fully dimmable integrated LED lamping creates the desired ambiance
- Protected by a 5-year warranty



Biza Linear Suspension

## LAMPING

Direct version includes 45 watts LED strips, 2401 delivered lumens, 3000K LED. Direct/Indirect version includes 50 watts LED strips, 25 watts, 1750 lumens of downlight and 25 watts, 1750 lumens of uplight. Ships with 21 feet of field-cuttable cord and twelve feet of aircraft cable. Can be installed on a sloped ceiling up to 45°.



Biza Linear Suspension

## ORDERING INFORMATION

700LSBIZA	SHAPE OR SIZE	FINISH	LAMP
	B 50% DIRECT / 50% INDIRECT DIRECT	S SATIN NICKEL	-LED830 LED 80 CRI 3000K 120V -LED830-277 LED 80 CRI 3000K 277V

700LSBIZA \_\_\_\_\_

JOB NAME \_\_\_\_\_

NOTES \_\_\_\_\_

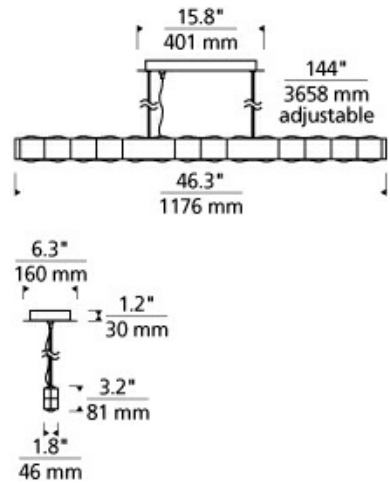
\_\_\_\_\_



# BIZA LINEAR SUSPENSION

## SPECIFICATIONS

HARDWARE MATERIAL	Metal
SHADE MATERIAL	Acrylic
NET WEIGHT	8 lbs
HEIGHT	3.2in
WIDTH	1.8in
LENGTH	46.3in
UP LIGHT / DOWN LIGHT / BOTH?	
WET LISTED	
DAMP LISTED	Yes
DRY LISTED	
MIN. HANGING HEIGHT	10.4in
MAX HANGING HEIGHT	148.4in
TOTAL CORD LENGTH	144in
TOTAL STEM LENGTH	
STEM QTY	
SLOPED CEILING ADAPTABLE?	Yes 45° Max
GENERAL LISTING	ETL Listed
INCLUDES	



## LAMPING SPECIFICATIONS

	LED LAMP	INTEGRATED LED	NON LED	NO LAMP
DELIVERED LUMENS		2401		
WATTS		40		
MAX WATTAGE PER BULB		40W		
INPUT VOLTAGE		120V 277V		
DIMMING TYPE*		ELV, TRIAC 0-10V		
CCT		3000K		
CRI		80 CRI		
LED LIFETIME				
L70		50000		
AVERAGE BULB HOURS		50000		
FIELD SERVICEABLE LED				
LAMP BASE		Integrated LED		
LAMP SHAPE		Integrated LED		
LAMP INCLUDED?		Y		
WARRANTY**		5 Years		

\* Dimming information available at [www.techlighting.com/Downloads#dimming](http://www.techlighting.com/Downloads#dimming)

\*\* Visit [techlighting.com](http://techlighting.com) for specific warranty limitations and details.

## T20 / T24 INFORMATION

	Integrated LED	Replacement LED Lamp	No Lamp *
This product can be used to comply with California Building Energy Efficiency Standards 2016 Title 24 Part 6.	No		
This product can be used to comply with California Appliance Efficiency Standards 2016 Title 20 and may be shipped to and sold in California.	N/A		

\* If a light fixture or component does not include a lamp or light source, it is the responsibility of the customer to select a lamp that meets the T24 and T20 requirements.

