

PRODUCT FEATURES

- Handsome design featuring strong lines and contemporary finishes
- Provides ample task lighting distribution onto surfaces below
- Ideal for residential and commercial lighting applications
- Ships with an energy efficient integrated LED lamp
- Fully dimmable integrated LED lamping creates the desired ambiance
- Protected by a 5-year warranty



LAMPING

At 40 watts of LED strips, it will provide incredible illumination in virtually any environment 1952 delivered lumens, 90 CRI 3000K LED. Includes twelve feet of field-cutttable satin cable. Dimmable with most LED compatible ELV or Triac dimmer. 277V compatible with 0-10V dimmers. Can be installed on a sloped ceiling up to 45°.

Satin Nickel



Black

Satin Nickel

ORDERING INFORMATION

700LSKNOX FINISH

- B BLACK
- S SATIN NICKEL

LAMP

- LED LED 90 CRI 3000V 120V
- LED277 LED 90 CRI 3000V 277V

700LSKNOX _____

JOB NAME _____

NOTES _____

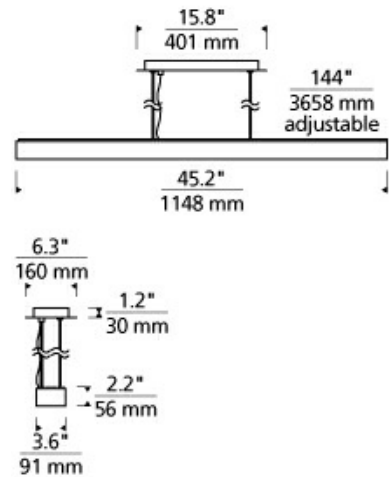


KNOX LINEAR SUSPENSION



SPECIFICATIONS

PRIMARY MATERIAL	Metal
SHADE MATERIAL	Acrylic
NET WEIGHT	18 lbs
HEIGHT	2.2in
WIDTH	3.6in
LENGTH	45.2in
UP LIGHT / DOWN LIGHT / BOTH?	
WET LISTED	
DAMP LISTED	Yes
DRY LISTED	
MIN. HANGING HEIGHT	9.4in
MAX HANGING HEIGHT	147.4in
TOTAL CORD LENGTH	144in
TOTAL STEM LENGTH	
STEM QTY	
SLOPED CEILING ADAPTABLE?	Yes 45° Max
GENERAL LISTING	ETL Listed
INCLUDES	



LAMPING SPECIFICATIONS

	LED LAMP	INTEGRATED LED	NON LED	NO LAMP
DELIVERED LUMENS		1952		
WATTS		40		
MAX WATTAGE PER BULB		40W		
INPUT VOLTAGE/ DIMMING TYPE		120V ELV, TRIAC 277V 0-10V		
CCT		3000K		
CRI		90 CRI		
LED LIFETIME		>50000		
L70				
AVERAGE BULB HOURS				
FIELD SERVICEABLE LED				
LAMP BASE		Integrated LED		
LAMP SHAPE		Integrated LED		
LAMP INCLUDED?		True		
WARRANTY**		5 Years		

*Dimming information available at www.techlighting.com/Downloads#dimming

** Visit techlighting.com for specific warranty limitations and details.

T20 / T24 / JA8 INFORMATION

	Integrated LED	Replacement LED Lamp	No Lamp *
This product can be used to comply with California Building Energy Efficiency Standards 2016 Title 24 Part 6 / JA8.	Yes		
This product can be used to comply with California Appliance Efficiency Standards 2016 Title 20 and may be shipped to and sold in California.	N/A		

* If a light fixture or component does not include a lamp or light source, it is the responsibility of the customer to select a lamp that meets the T24 and T20 requirements.

