

Exhibiting a modern, Zen-like design approach, the Syntra outdoor path light blends seamlessly into contemporary architecture and landscapes. The symmetric down lighting provides abundant outdoor illumination and the clean, angular aesthetic maintains an understated elegance. Also available as a Bollard for a coordinated look.

### Outstanding protection against the elements:

- Powder coat finishes
- Stainless Steel mounting hardware
- Impact-resistant, UV stabilized frosted acrylic lensing

### Path light features either Bolt or Stake mounting options

## SPECIFICATIONS

DELIVERED LUMENS	255.8
WATTS	12.8
VOLTAGE	12V (Transformer sold separately)
DIMMING	MLV
LIGHT DISTRIBUTION	Symmetric
MOUNTING OPTIONS	Bolt or Stake
CCT	3000K
CRI	80+
COLOR BINNING	3 Step
BUG RATING	B0-U1-G0
DARK SKY	Compliant
WET LISTED	IP65
GENERAL LISTING	ETL
CALIFORNIA TITLE 24	Can be used to comply with CEC 2019 Title 24 Part 6 for outdoor use. Registration with CEC Appliance Database not required.
START TEMP	-30°C
FIELD SERVICEABLE LED	No
CONSTRUCTION	Aluminum
HARDWARE	Stainless Steel
FINISH	Powder Coat
LED LIFETIME	L70; >60,000 Hours
WARRANTY*	5 Years
WEIGHT	14.8 lbs.

\*Visit [techlighting.com](http://techlighting.com) for specific warranty limitations and details.



SYNTRA PATH  
shown in bronze



SYNTRA PATH  
shown in charcoal

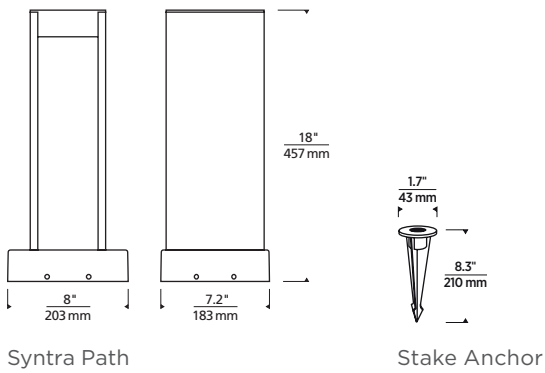
### 12V AC TRANSFORMERS\* (OUTDOOR RATED, ORDERED SEPARATELY)

ITEM	DESCRIPTION	HOUSING	DIMMING
<b>7000T150T</b>	MAGNETIC, 150W, 120V	STAINLESS STEEL	MAGNETIC
<b>7000T300T</b>	MAGNETIC, 300W, 120V	STAINLESS STEEL	MAGNETIC

## ORDERING INFORMATION

PRODUCT	CRI/CCT	LENGTH	LENS	FINISH	VOLTAGE	DISTRIBUTION	OPTIONS
<b>7000ASYN</b>	<b>830</b> 80 CRI, 3000K	<b>18</b> 18"	<b>D</b> DIFFUSE	<b>Z</b> BRONZE <b>H</b> CHARCOAL	<b>12</b> 12V	<b>S</b> SYMMETRIC	<b>CM</b> CONCRETE MOUNT <b>ST</b> STAKE MOUNTING KIT

\*REQUIRES 12V REMOTE TRANSFORMER



Syntra Path

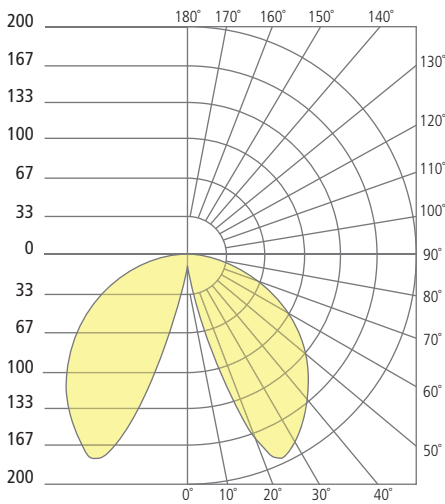
Stake Anchor

## PHOTOMETRICS\*

\*For latest photometrics, please visit [www.techlighting.com/OUTDOOR](http://www.techlighting.com/OUTDOOR)

### SYNTRA PATH

Total Lumen Output: 255.8  
 Total Power: 12.8  
 Luminaire Efficacy: 19.8  
 Color Temp: 3000K  
 CRI: 80+  
 BUG Rating: B0-U1-G0



## PROJECT INFO

FIXTURE TYPE & QUANTITY

JOB NAME & INFO

NOTES

---



---



---



---



---



---



© 2021 Tech Lighting, L.L.C. All rights reserved. The "Tech Lighting" graphic is a registered trademark. Tech Lighting reserves the right to change specifications for product improvements without notification.

VISUAL COMFORT & Co.

7400 Linder Avenue, Skokie, Illinois 60077

T 847.410.4400