

# MONORAIL

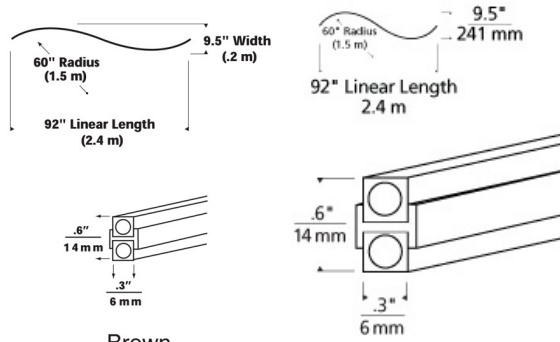
## Pre-Bent S Curve MonoRail T20

### DESCRIPTION

MonoRail pre-bent into a horizontal S curve. Consult the drawing for approximate dimensions. For a factory bend not shown, please call for a custom quotation.

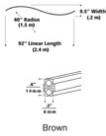
### WEIGHT

1.1-1.1lb / 0.5-0.5kg ±



Brown

brown



brown

### ORDERING INFORMATION

700MOBHSC60 SHAPE OR SIZE	LENGTH (A)	COLOR	FINISH
PRE-BENT S-CURVE	92"	<b>BR</b> BROWN CLEAR	<b>Z</b> ANTIQUE BRONZE <b>S</b> SATIN NICKEL



**TECH LIGHTING®**

7400 Linder Avenue  
Skokie, Illinois 60077

T 847.410.4400  
F 847.410.4500

Tech Lighting, L.L.C.

700MOBHSC60 \_\_\_\_\_

FIXTURE TYPE: \_\_\_\_\_

JOB NAME: \_\_\_\_\_

NOTES: \_\_\_\_\_

\_\_\_\_\_

\_\_\_\_\_



©2020 Tech Lighting, L.L.C. All Rights Reserved. The "Tech Lighting" graphic is a registered trademark of Tech Lighting, L.L.C. Tech Lighting reserves the right to change specifications for product improvements without notification.