

# Orbel Round Pendant

LED

## DESCRIPTION

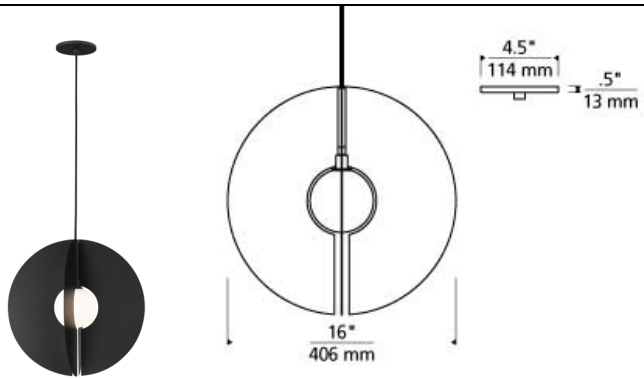
The Orbel Collection by Sean Lavin for Tech Lighting is inspired by Mid-Century modern art with contrasting geometric shapes. The Orbel Round Pendant features metal circles that surround a glowing, frosted sphere of light. Designed with a 16 inch diameter and offered in modern finishes, this line-voltage pendant is beautiful when installed in multiples or combined with the Orbel Pyramid pendant. Coordinate your design with other fixtures in the Orbel collection, such as the Flush Mount, Bath Light Wall Sconce and Mini Pendant. Lamping options are compatible with most dimmers. Refer to the Dimming Chart for more information. (No Lamp) Rated for rated for (1) 5 watt max. G9 Bi-Pin lamp (Not Included). LED includes 5 watt, 359.6 total delivered lumens, 3000K, LED G9 Bi-Pin lamp. Dimmable with most LED compatible ELV and TRIAC dimmers. Fixture provided with six feet of field-cuttable black cloth cord.

## INSTALLATION

This product can mount to either a 4" square electrical box with round plaster ring or an octagon electrical box.

## WEIGHT

10-10lb / 4.54-4.54kg ±



aged brass



matte black

## ORDERING INFORMATION

700 SYSTEM OBLR

FINISH

LAMP

TD LINE-VOLTAGE PENDANTS/SUSPENSION

R AGED BRASS  
B MATTE BLACK

NO LAMP  
-LED930 BI-PIN G9 LED 90 CRI 3000K 120V (T20/T24)



7400 Linder Avenue T 847.410.4400  
Skokie, Illinois 60077 F 847.410.4500

Tech Lighting, L.L.C.

700 \_\_\_\_ OBLR \_\_\_\_

FIXTURE TYPE: \_\_\_\_\_

JOB NAME: \_\_\_\_\_

NOTES: \_\_\_\_\_

\_\_\_\_\_

\_\_\_\_\_



©2021 Tech Lighting, L.L.C. All Rights Reserved. The "Tech Lighting" graphic is a registered trademark of Tech Lighting, L.L.C. Tech Lighting reserves the right to change specifications for product improvements without notification.