

UNILUME LED SLIMLINE

PRODUCT FEATURES

- A low-profile solution designed at less than 1" height and 3" wide for task lighting great for residential and commercial spaces.
- Available in four sizes (7", 13", 19", 31") and two finishes (black and white).
- 90 CRI. Choose from 3 color temperatures: 2700K, 3000K, 3500K.
- Standard On/Off switch.
- Link up to 70 units together with a connector (not included).
- Protected by a 5-year warranty. Please visit the "About Us" page on techlighting.com for more for warranty details.



7" WHITE
(SHOWN OFF)



13" BLACK
(SHOWN ON)

LAMPING

With four convenient lengths, the ability to power up to 70 linked units from a single outlet, a standard on/off switch, a reliable integrated driver, and color temperature/CRI options; Unilume LED Slimline is perfect for residential or commercial use.

ACCESSORIES

JUMPER CONNECTORS

Can be used to link one undercabinet housing to another or to a splice box. The maximum wattage for a single run is 600 watts. Use female to female connector to create longer lengths or contact us for custom lengths. Nominal length.

700UCJC	LENGTH*	COLOR
01	1"	B BLACK
03	3"	W WHITE
06	6"	
12	12"	
24	24"	



*FOR CUSTOM LENGTHS, CONTACT OUR FACTORY

FEMALE TO FEMALE CONNECTOR

Joins two jumper connectors together.

700UCFFC	COLOR
B	BLACK
W	WHITE



SPLICE BOX

Required for hardware applications. Conduit is fed into the back and Jumper Connector ports on each side can feed power to Unilume LED Slimline runs in two directions. The 1" Jumper Connector can be used to place the Splice Box next to the undercabinet housing. Longer Jumper Connectors can be used to place the Splice Box in a more convenient or remote location. Includes 3/8" conduit connector.

700UCSB	FINISH
B	BLACK
W	WHITE



PLUG-IN WALL FEED

Can be used to plug one undercabinet housing directly into an outlet.

700UCPL	LENGTH*	COLOR
24	24"	B BLACK
72	72"	W WHITE



*FOR CUSTOM LENGTHS, CONTACT OUR FACTORY

ORDERING INFORMATION

700UCF	LENGTH	CRI	CCT	FINISH	LAMP TYPE
07	7.2"	9	90 CRI	2 2700K	B BLACK -LED LED
13	13.2"			3 3000K	W WHITE
19	19.2"			5 3500K	
31	31.3"				

700UCF _____

JOB NAME _____

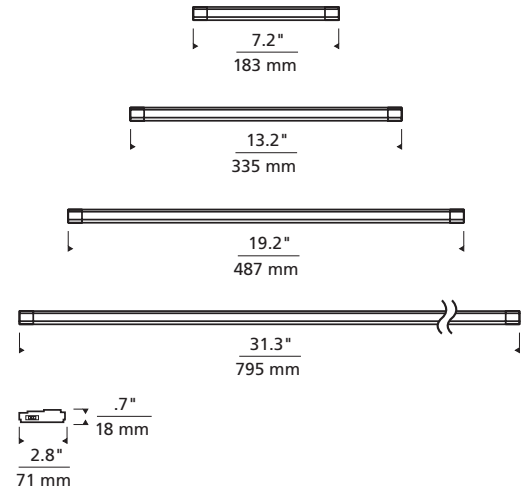
NOTES _____



UNILUME LED SLIMLINE

DIMENSIONS

	7"	13"	19"	31"
HEIGHT	.7"	.7"	.7"	.7"
WIDTH	2.8"	2.8"	2.8"	2.8"
LENGTH	7.2"	13.2"	19.2"	31.3"
NET WEIGHT	1	2	3	4.5



LAMPING SPECIFICATIONS

	7"	13"	19"	31"
INTEGRATED LED	Yes	Yes	Yes	Yes
DELIVERED LUMENS	240	527	693	1224
WATTS	4W	8.5W	10.5W	18W
EFFICACY	60 lms/W	62 lms/W	66 lms/W	68 lms/W
MAX WATTAGE	4W	8.5W	10.5W	18W
INPUT VOLTAGE	120V			
DIMMING TYPE*	ELV (down to 15%)			
CCT	2700K, 3000K or 3500K			
CRI	90			
LED LIFETIME	50,000 hours to 70%			
FIELD SERVICEABLE LED	No			
LAMP BASE	Integrated LED			
LAMP INCLUDED?	Yes			
WARRANTY**	5 years			

*Dimming information available at www.techlighting.com/Downloads#dimming

**Visit techlighting.com for specific warranty limitations and details.

SPECIFICATIONS

HARDWARE MATERIAL	Aluminum
SHADE MATERIAL	Glass
DAMP LISTED	Yes
MOUNTING DETAILS	
GENERAL LISTING	ETL
INCLUDES	

T20/T24 INFORMATION

	INTEGRATED LED	REPLACEMENT LED LAMP	NO LAMP*
This product can be used to comply with California Building Energy Efficiency Standards 2016 Title 24 Part 6.	Yes		
This product meets California Appliance Efficiency Standards 2016 Title 20 and may be shipped to and sold in California.	Yes		

*If a light fixture or component does not include a lamp or light source, it is the responsibility of the customer to select a lamp that meets the T24 and T20 requirements.

