

# Line-Voltage Port Alone



## SINGLE PORTS

### GENERAL PRODUCT INFORMATION:



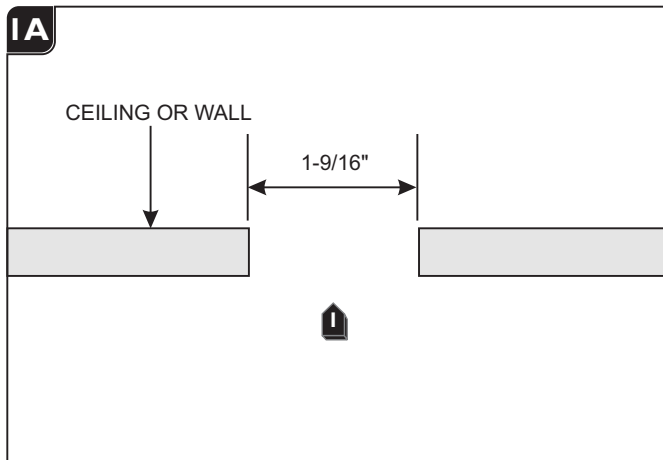
This product is suitable for dry locations only.

Suitable for ceiling thicknesses 0.5" to 2.125".

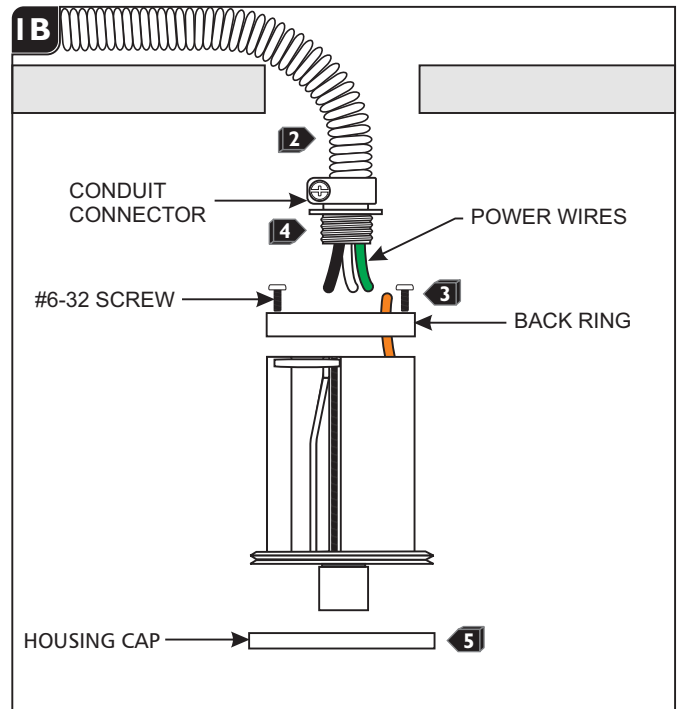
Prior to the steps below, make sure that the conduit, power wires, and all power connections are installed according to local electrical codes.



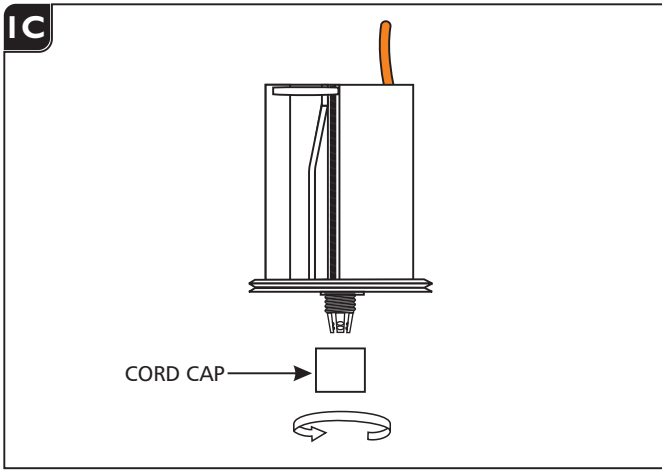
## Install the Single Port Alone



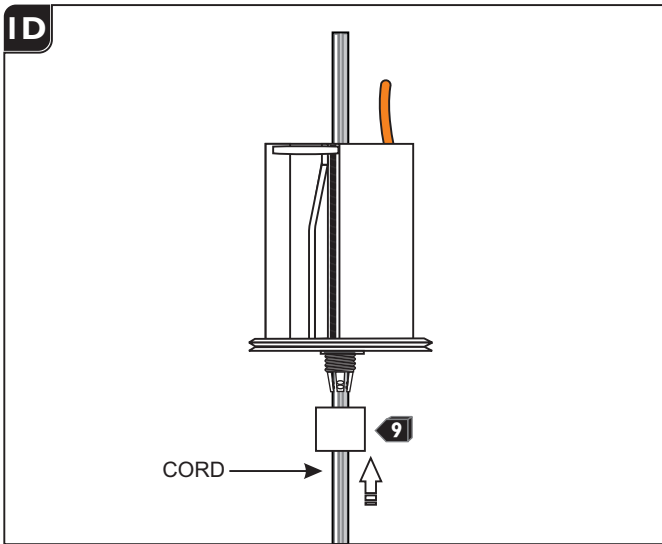
**1** Use a 1-9/16" hole saw to cut out the ceiling or wall where the ports are going to be installed.



- 2** Bring the conduit along with the power wires out of the opening.
- 3** Unscrew the #6-32 screws to remove the back ring.
- 4** Place the power wires through the back ring and screw it (from the face with two holes) to the conduit connector.
- 5** Unscrew the housing cap from the port.

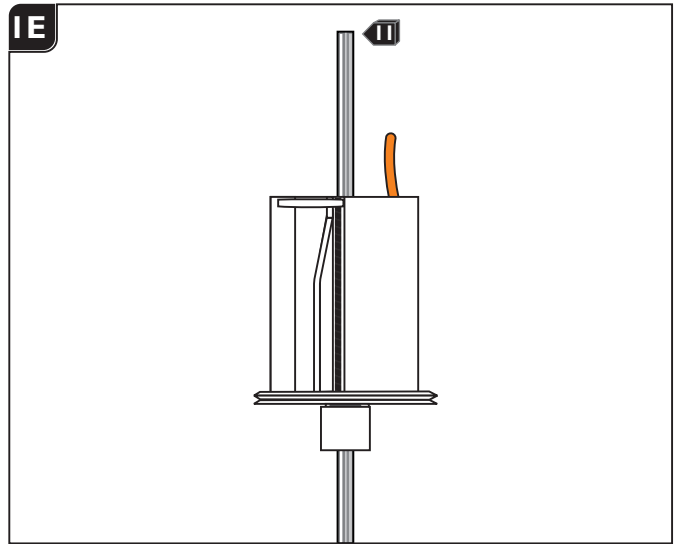


**6** Unscrew the cord cap from the port.



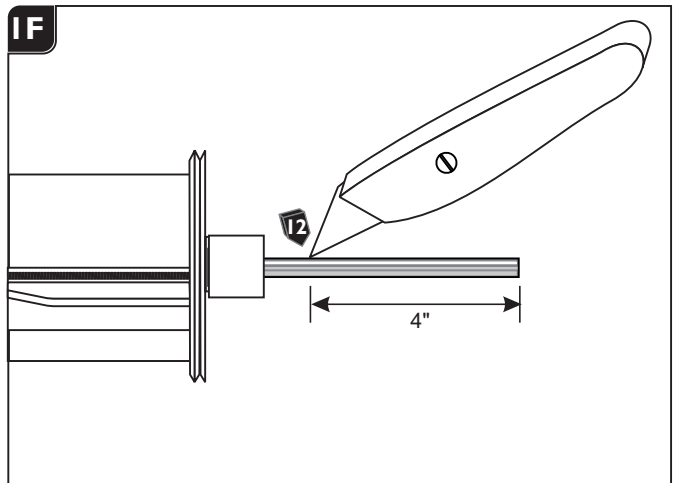
**NOTE:** Refer to the instructions provided with the pendant fixture to install the fixture shade (if needed) before proceeding with these steps.

- 7** Feed end of the pendant cord through the cap, cord grip, and port.
- 8** Adjust the fixture height (from bottom of the fixture shade to end of the cord grip) by moving the cord up or down.
- 9** When desired height is achieved, tighten the cap.



**10** For power connection, leave at least 6" of the cord exposed in the back of the port.

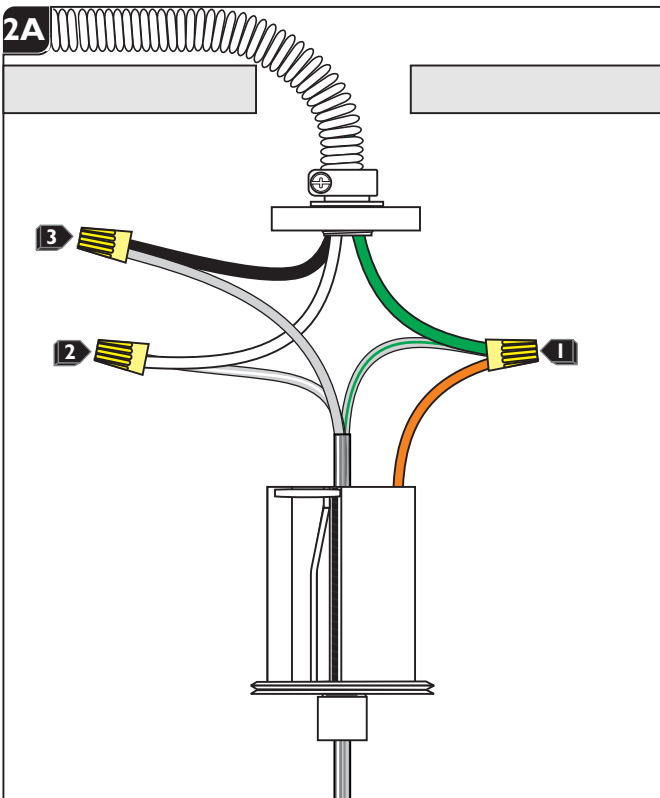
**11** Cut off the excess cord with a sharp cutter.



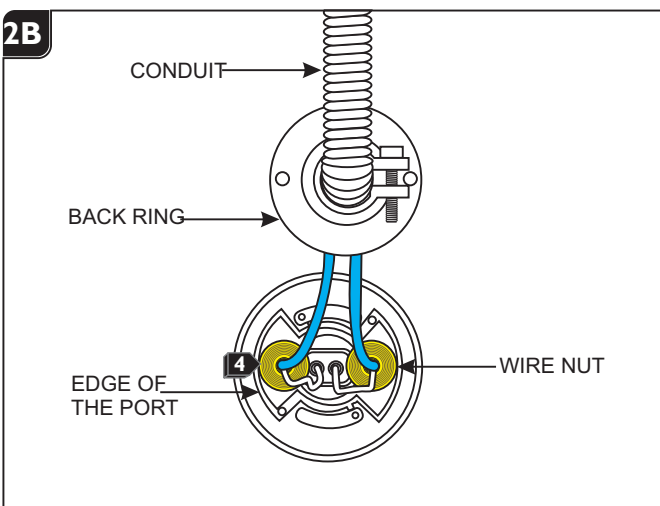
**12** From the end of the cord, strip the outer insulation 4" using a sharp knife and needlenose pliers. ***Make sure not to cut inner wires.***

**13** Strip 1/4" of insulation from the inner insulated wires. (three inner insulated wires for standard SVT cord). The bare inner wire is the ground wire (green insulated wire in SVT cord).

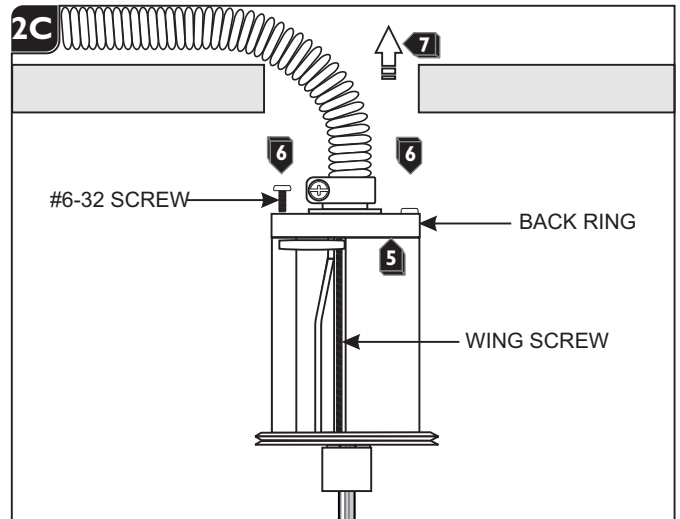
## Install the Fixture



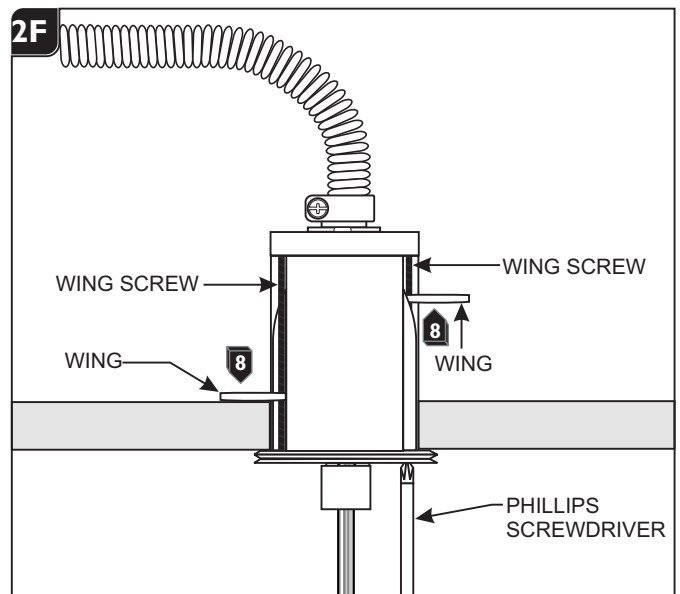
- 1** Connect the fixture cord with the green strip (or bare uninsulated wire) and the port bare copper wire to a suitable ground in accordance with local electrical codes.
- 2** Connect the fixture wire with the white strip (white in SVT cord) to the 120 volt neutral power line wire with a wire nut.
- 3** Connect the last fixture wire (black in SVT cord) to the 120 volt hot power line wire with a wire nut.



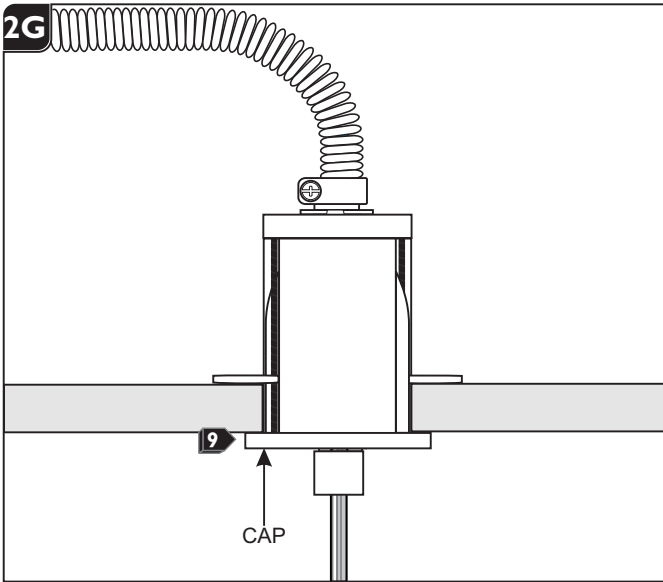
- 4** Place all the wires and wire nut connections properly inside the port. Make sure that the port and 120 volt wires are cleared from the edge of the port.



- 5** Replace the back ring onto the port so that end of the wing screws are properly placed into the two blind holes.
- 6** Replace and tighten the #6-32 set screws to secure the back ring onto the port.
- 7** Push the port completely into the hole.



- 8** Tighten the two phillips screws with a Phillips screwdriver (an electrical screwdriver will speed up the process) until the wings secure the port into the hole.



- 9 Replace and tighten the cap.
- 10 Repeat steps 1 through 13 for each port.

**SAVE THESE INSTRUCTIONS!**

 **TECH LIGHTING®**

7400 Linder Ave, Skokie, IL 60077

847.410.4400

**[www.techlighting.com](http://www.techlighting.com)**

© 2020 Tech Lighting, L.L.C. All rights reserved.

Visual Comfort & Co.