

Snap Louver Lens Holder

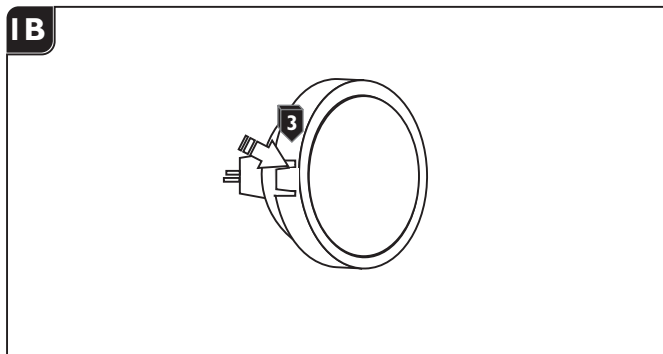
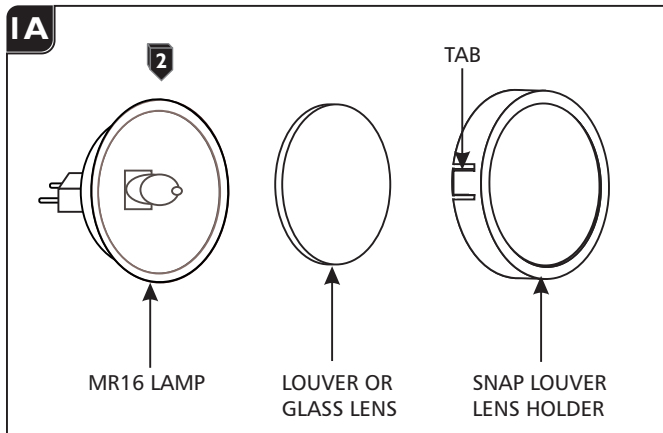
_00A06-CH | 1.0



ACCESSORIES



Installing a Snap Louver Lens Holder to an MR16 Lamp



- 1 Place the louver or the glass lens (optional) into the Snap Louver Lens Holder.
- 2 Place the MR16 lamp into the Snap Louver Lens Holder.
- 3 Press the tabs on both sides of the Snap Louver Lens Holder against the MR16 lamp to keep it in the position.

SAVE THESE INSTRUCTIONS!



7400 Linder Ave, Skokie, IL 60077
847.410.4400

www.techlighting.com

© 2020 Tech Lighting, L.L.C. All rights reserved.
Visual Comfort & Co.