

Sara Grande Pendant (Compact Fluorescent)

700TDSARGP_-CF 1.0



PENDANTS

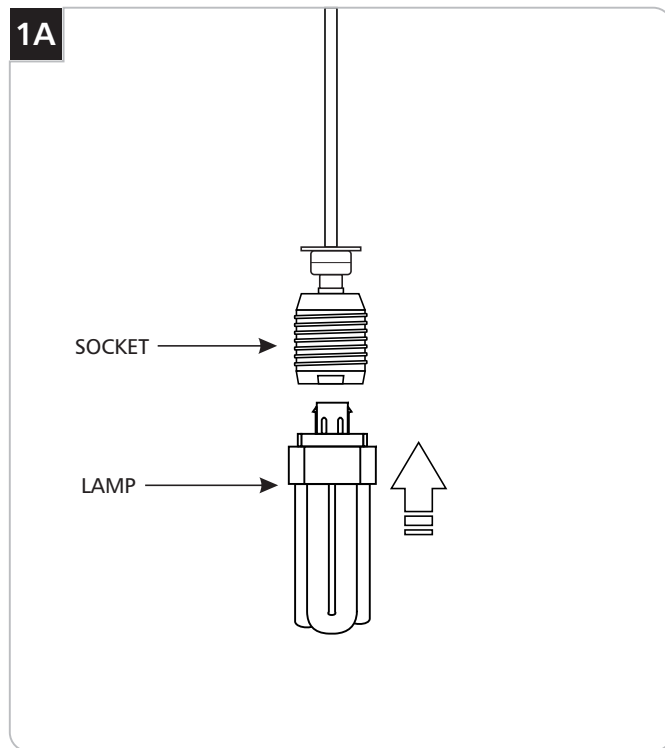
GENERAL PRODUCT INFORMATION:



This product is suitable for damp locations.

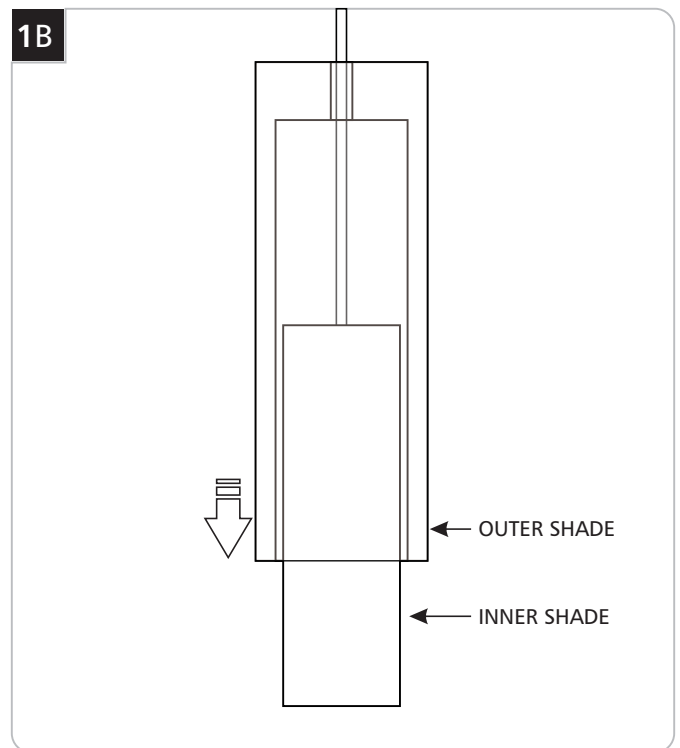


Assemble the Fixture



Use **MAX 32 Watt** GX24Q-3 Base Triple Tube Compact Fluorescent Lamp.

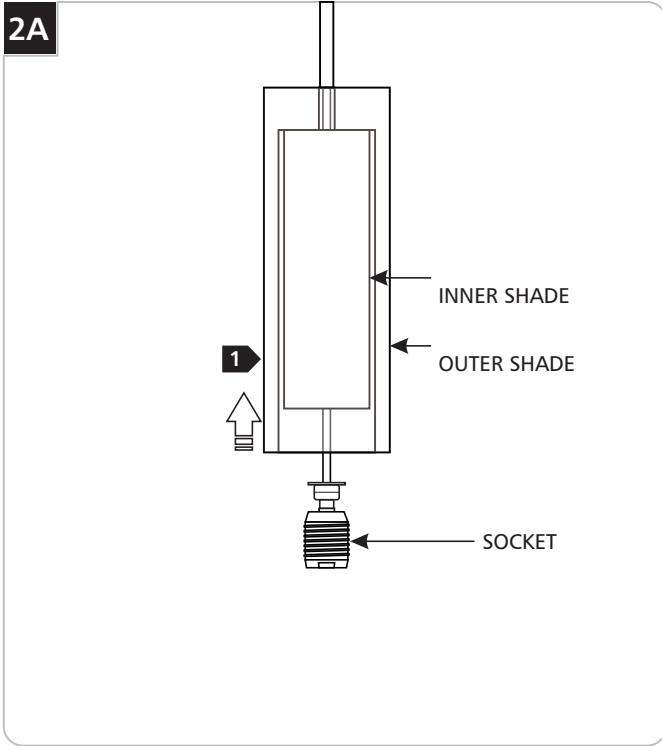
1 Push the lamp pins firmly all the way into the socket holes.



2 Place the outer shade over the inner shade.

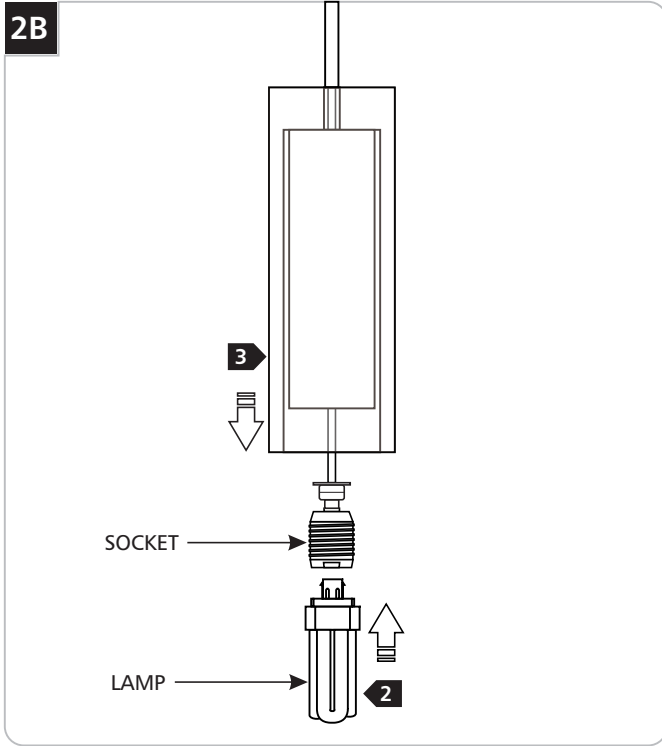
3 When lifting the assembly, **VERY SLOWLY and GENTLY** lift from the power cord until the glass shades are properly nested.

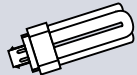
Installing the Lamp



CAUTION: To reduce the risk of a burn or electric shock during relamping, disconnect the power to the fixture.

1 Gently lift both the inner and outer shade up to expose the socket.



Use **MAX 32 Watt** GX24Q-3 Base Triple Tube Compact Fluorescent Lamp. 

2 Pull out the old lamp and push the new lamp pins firmly all the way into the socket holes.

3 Gently lower both shades back on top of the socket assembly.

SAVE THESE INSTRUCTIONS!



7400 Linder Ave, Skokie, IL 60077
847.410.4400

www.techlighting.com

© 2011 Tech Lighting, L.L.C. All rights reserved. The "Tech Lighting" graphic is a registered trademark of Tech Lighting, L.L.C. Tech Lighting reserves the right to change specifications for product improvements without notification.
A Generation Brands Company