

Palona Pendant

700TDPLNP_ 1.0



PENDANTS

GENERAL PRODUCT INFORMATION:



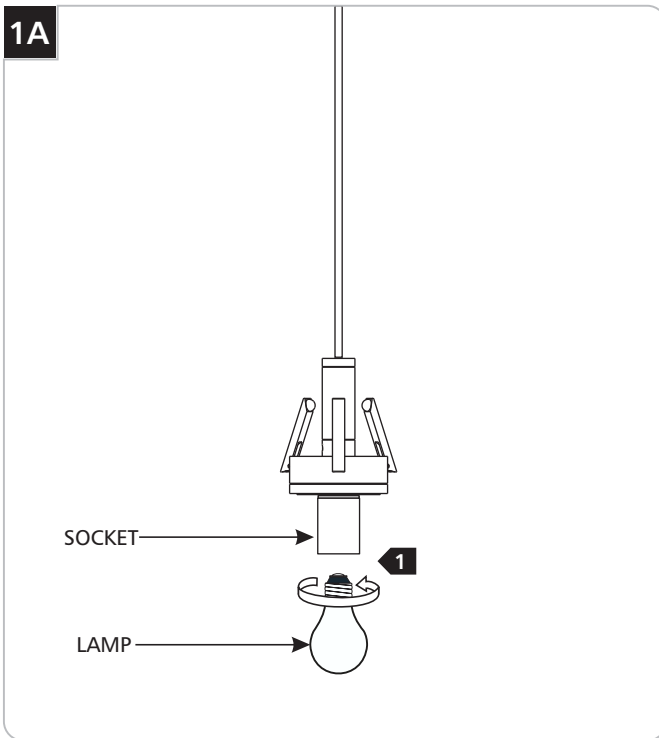
This product is suitable for damp locations.

Incandescent version may be dimmed with a standard incandescent dimmer.

LED version may be dimmed with a LED dimmer. Consult lamp manufacturer for additional information.



Install the Lamp

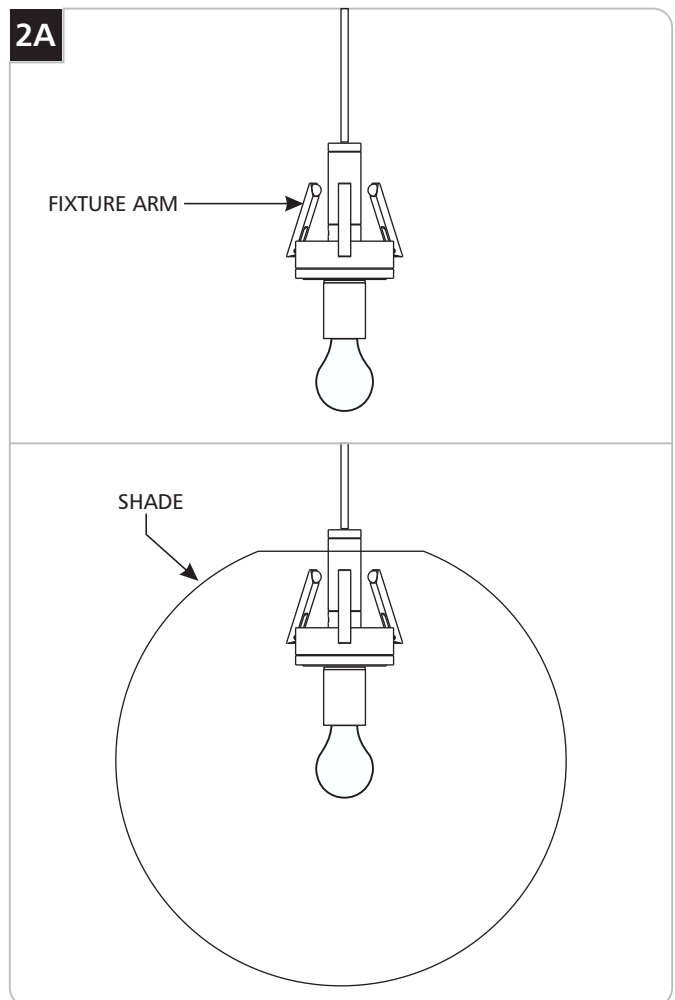


CAUTION: To reduce the risk of a burn or electric shock during re-lamping, disconnect the power to the fixture.

Refer to fixture marking for lamp information.

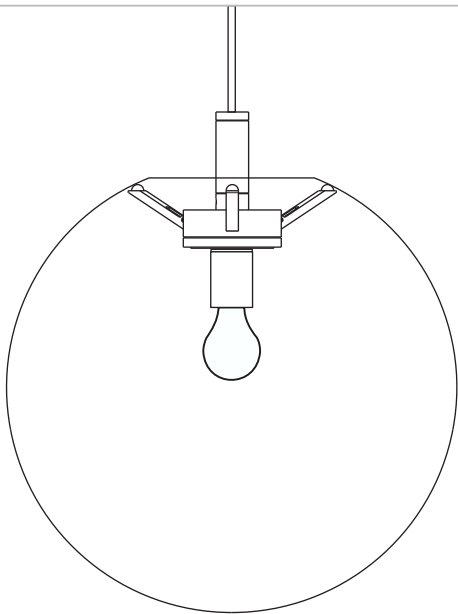
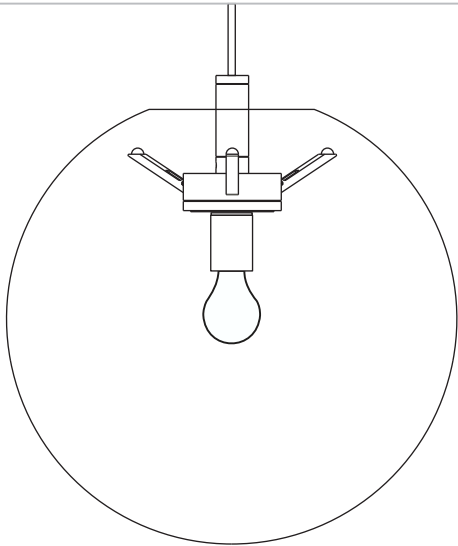
1 Screw the lamp into the socket.

Assemble the Fixture



1 Fold in all the fixture arms and insert it into the shade.

2B



2 Release the fixture arms, center it to the shade, and gently lift the pendant up.

SAVE THESE INSTRUCTIONS!



TECH LIGHTING®

7400 Linder Ave, Skokie, IL 60077

847.410.4400

www.techlighting.com

© 2016 Tech Lighting, L.L.C. All rights reserved. The "Tech Lighting" graphic is a registered trademark of Tech Lighting, L.L.C. Tech Lighting reserves the right to change specifications for product improvements without notification.

A Generation Brands Company