



**PENDANTS**

**GENERAL PRODUCT INFORMATION:**

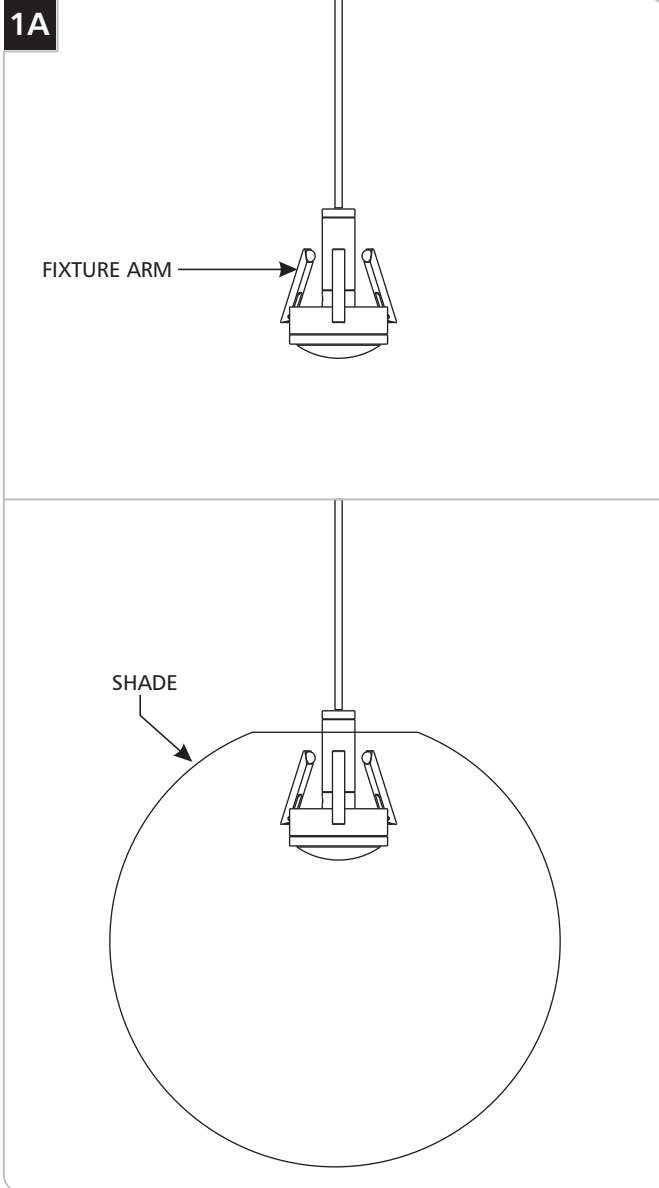


This product is suitable for damp locations.

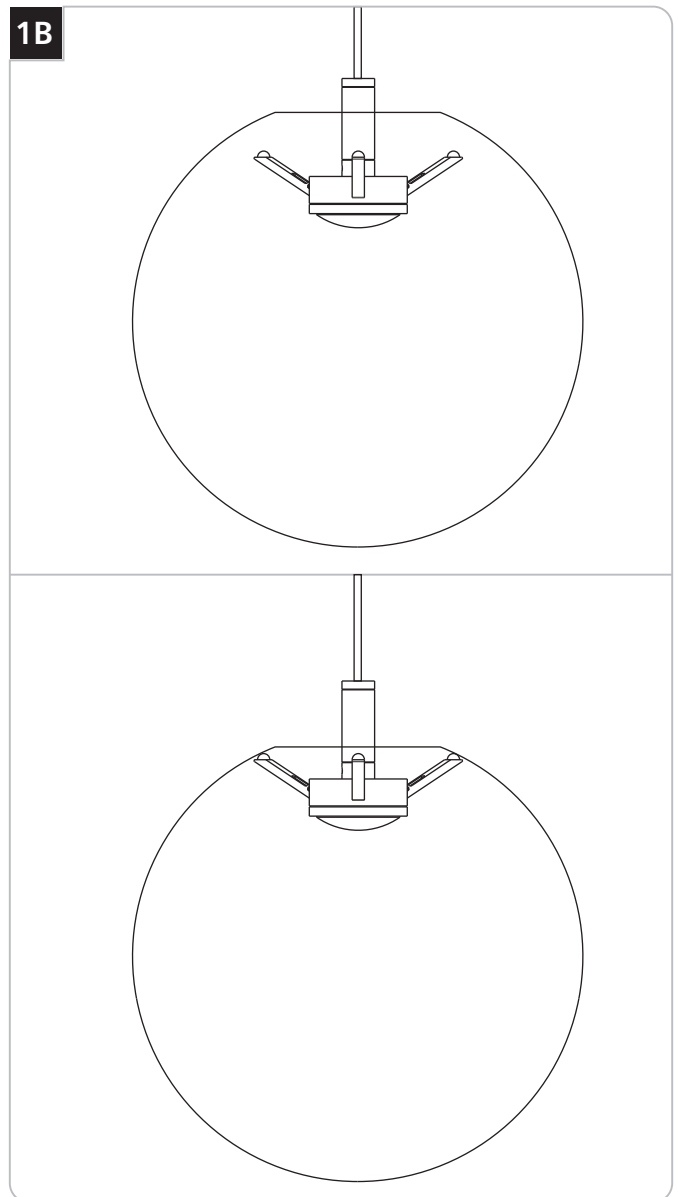
This product may be dimmed with a low-voltage electronic dimmer.



**Assemble the Fixture**



**1** Fold in all the fixture arms and insert it into the shade.



**1** Release the fixture arms, center it to the shade, and gently lift the pendant up.

**SAVE THESE INSTRUCTIONS!**



**TECH LIGHTING®**

7400 Linder Ave, Skokie, IL 60077

847.410.4400

[www.techlighting.com](http://www.techlighting.com)

© 2016 Tech Lighting, L.L.C. All rights reserved. The "Tech Lighting" graphic is a registered trademark of Tech Lighting, L.L.C. Tech Lighting reserves the right to change specifications for product improvements without notification.

A Generation Brands Company