

# Pendant Fixtures



## PENDANTS

### GENERAL PRODUCT INFORMATION:



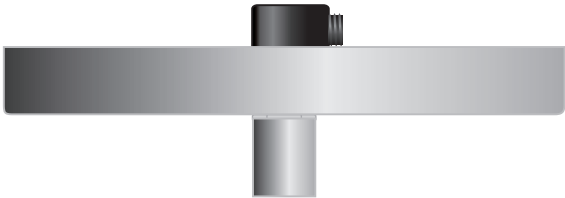
This product is suitable for indoor dry locations only.

These fixtures are intended to be installed utilizing NEC compliant junction boxes.

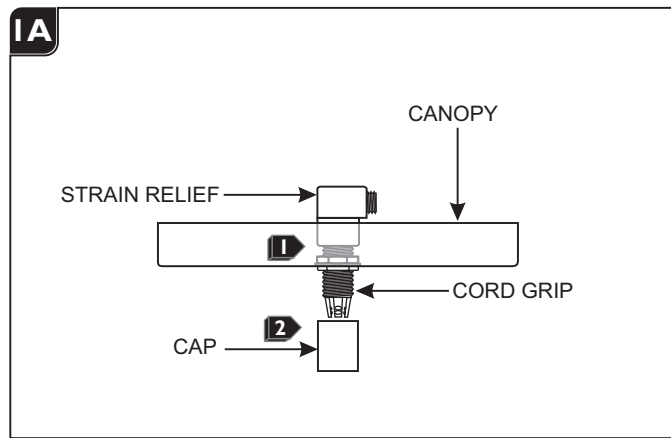
This product can be dimmed with a standard incandescent dimmer.

**CAUTION - RISK OF FIRE**  
 This product must be installed in accordance with the applicable installation code by a person familiar with the construction and operation of the product and the hazards involved.  
**Use minimum 90°C supply conductors.**

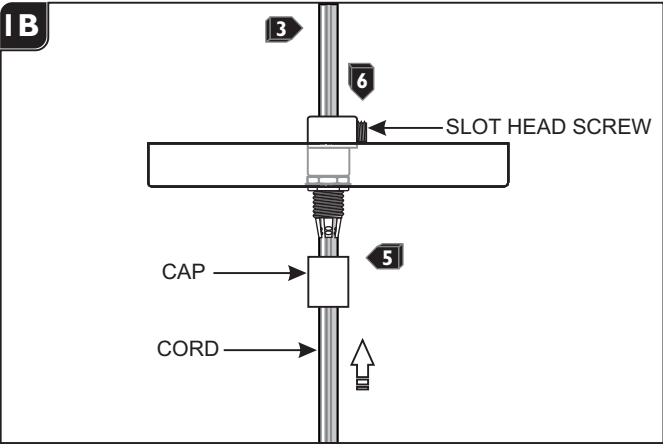
**NOTE:** If the fixture being installed has a cloth cord, start with **SECTION 2** of this installation instruction.



### Shorten the Pendant

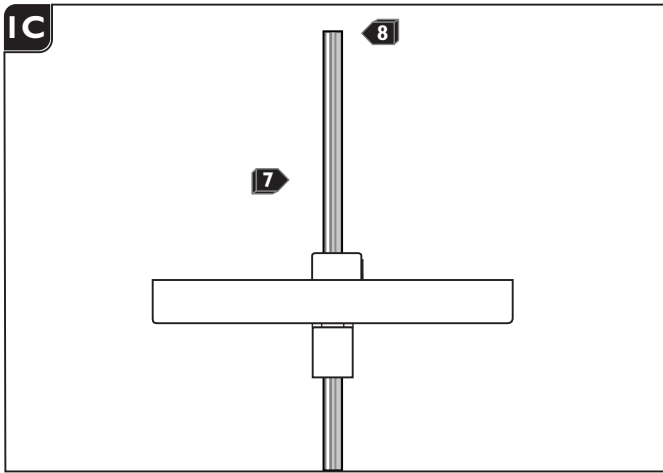


- 1** From back of the canopy tighten the strain relief to the cord grip.
- 2** From front of the canopy remove the cap from cord grip.

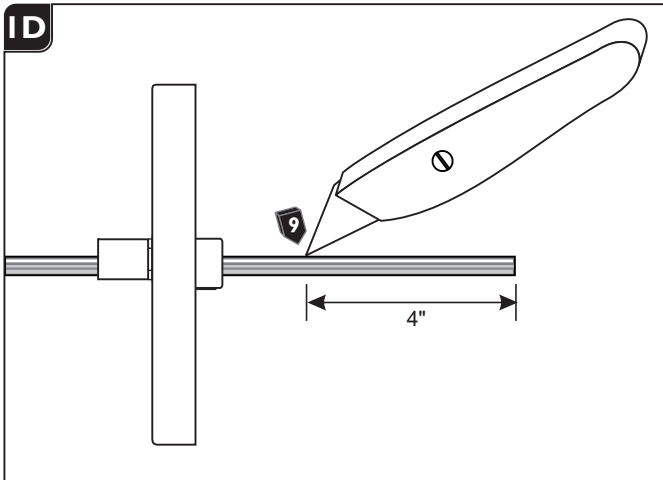


**NOTE:** Refer to the instructions provided with the pendant fixture to install the fixture shade (if needed) before proceeding with these steps.

- 3** Feed end of the pendant cord through the cap, cord grip, and strain relief into the canopy.
- 4** Adjust the fixture height (from bottom of the fixture shade to top of the canopy) by moving the cord up or down.
- 5** When desired height is achieved, tighten the cap.
- 6** Tighten the strain relief slot head screw.



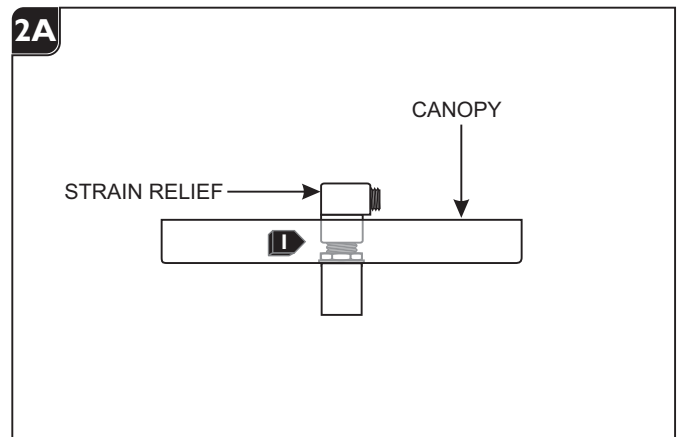
- 7 For power connection, leave at least 6" of the cord exposed in the back of the canopy.
- 8 Cut off the excess cord with a sharp cutter.



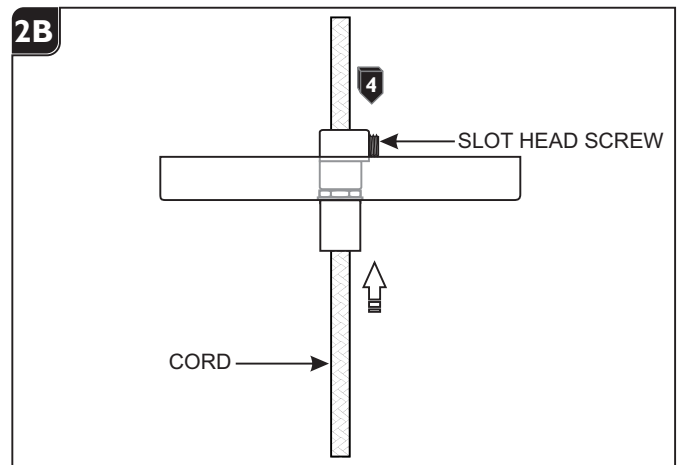
- 9 From the end of the cord, strip the outer insulation 4" using a sharp knife and needlenose pliers. ***Make sure not to cut inner wires.***
- 10 Strip 1/4" of insulation from the inner insulated wires. (three inner insulated wires for standard SVT cord). The bare inner wire is the ground wire (green insulated wire in SVT cord).

**SKIP TO SECTION 3.**

## Shorten the Pendant (cloth covered cord)



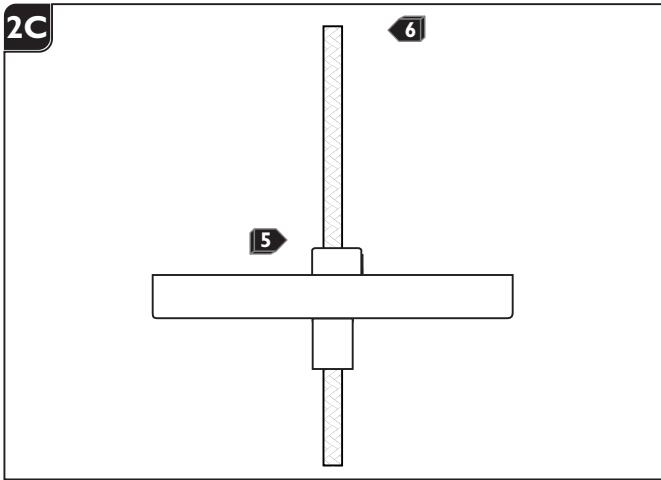
- 1 From back of the canopy tighten the strain relief to the cord grip.



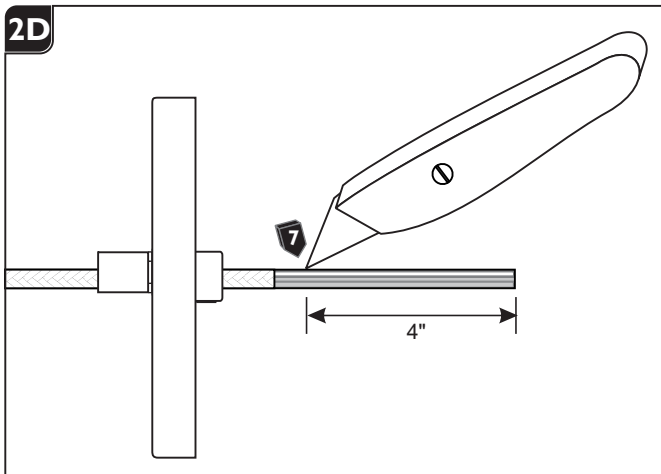
**NOTE:** Refer to the instructions provided with the pendant fixture to install the fixture shade (if needed) before proceeding with these steps.

- 2 Feed end of the pendant cord through the strain relief into the canopy.
- 3 Adjust the fixture height (from bottom of the fixture shade to top of the canopy) by moving the cord up or down.
- 4 When desired height is achieved, tighten the strain relief slot head screw.

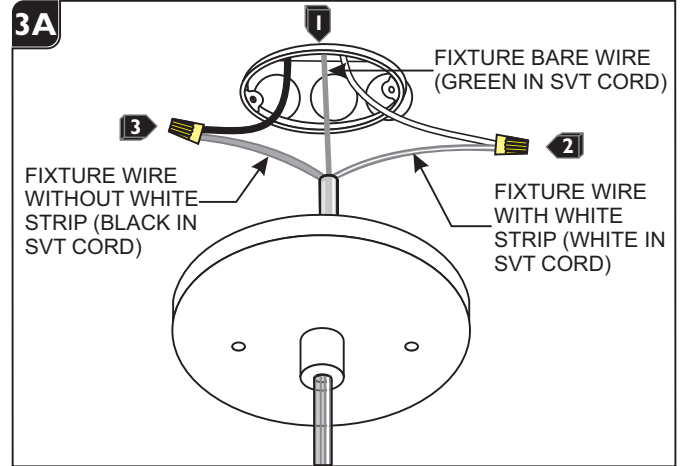
## Install the Fixture



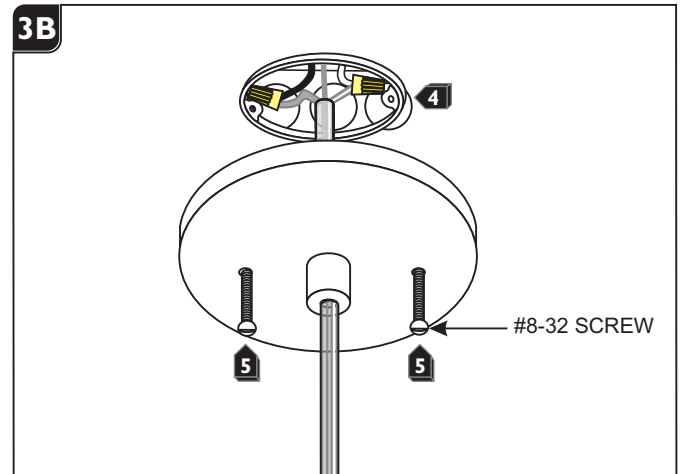
- 5 For power connection, leave at least 6" of the cord exposed in the back of the canopy.
- 6 Cut off the excess cord with a sharp cutter.



- 7 From the end of the cord, cut away the cloth and strip the outer insulation 4" using a sharp knife and needlenose pliers. ***Make sure not to cut inner wires.***
- 8 Strip 1/4" of insulation from the inner insulated wires. (three inner insulated wires for standard SVT cord). The bare inner wire is the ground wire (green insulated wire in SVT cord).



- 1 Connect the fixture bare uninsulated wire (green in SVT cord) to the ground in accordance with local electrical codes.
- 2 Connect the fixture wire with the white strip (white in SVT cord) to the 120 volt neutral power line wire with a wire nut.
- 3 Connect the last fixture wire (black in SVT cord) to the 120 volt hot power line wire with a wire nut.



- 4 Place all wires properly into the electrical box.
- 5 Mount the canopy to the electrical box with two #8-32 screws provided.

**SAVE THESE INSTRUCTIONS!**

 **TECH LIGHTING®**

7400 Linder Ave, Skokie, IL 60077

847.410.4400

**[www.techlighting.com](http://www.techlighting.com)**

© 2020 Tech Lighting, L.L.C. All rights reserved.

Visual Comfort & Co.