

# Plug Option



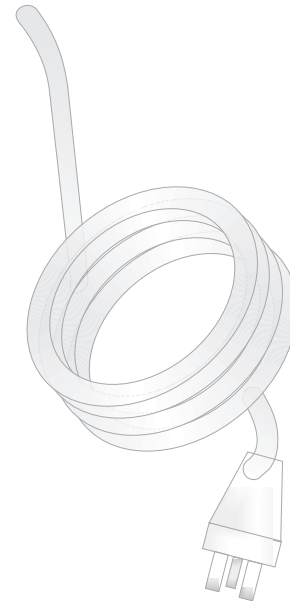
## GENERAL PRODUCT INFORMATION:



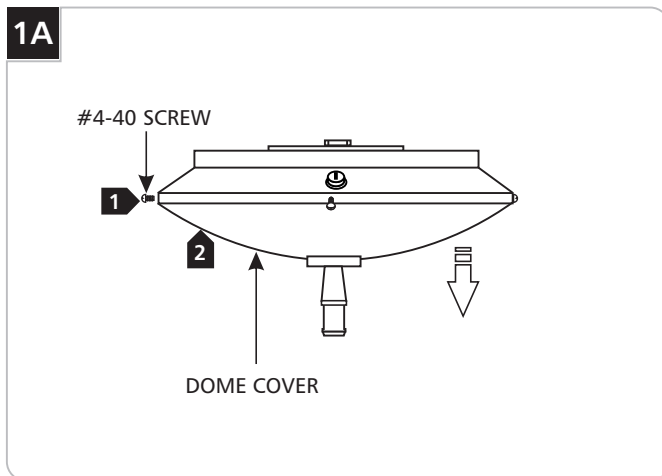
This product is suitable for indoor dry locations only.

A typical installation is shown. Specific installation must be in accordance with the local electrical codes.

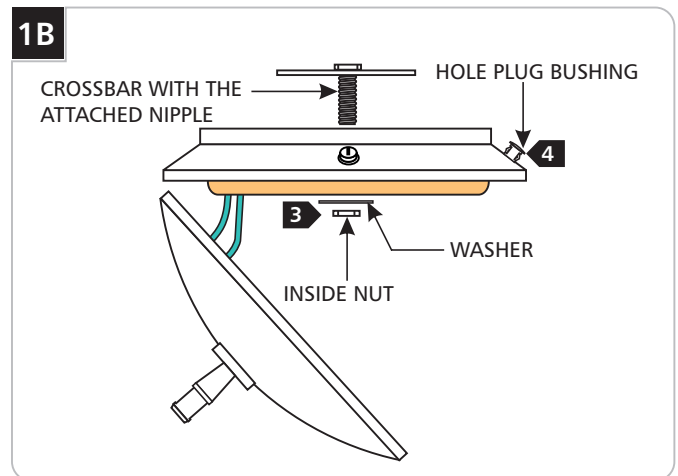
This product is intended for use with Tech Lighting low voltage lighting systems only.



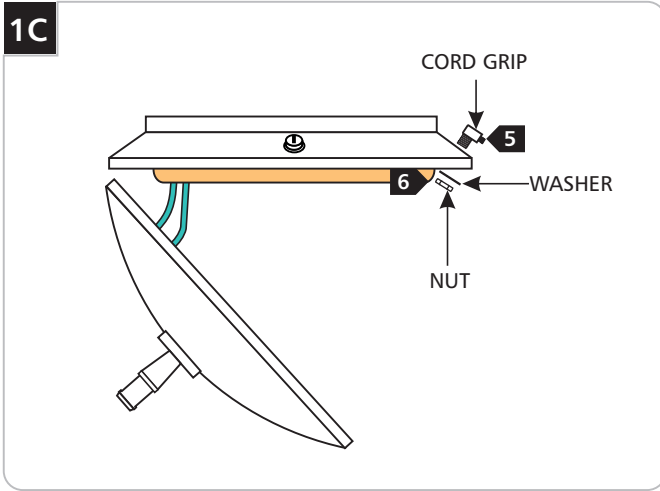
## Install the Plug Option to Magnetic Surface Transformers



- 1** On side of the transformer dome cover, remove the #4-40 screws with a Phillips head screwdriver.
- 2** Lift the dome cover off of the transformer housing.

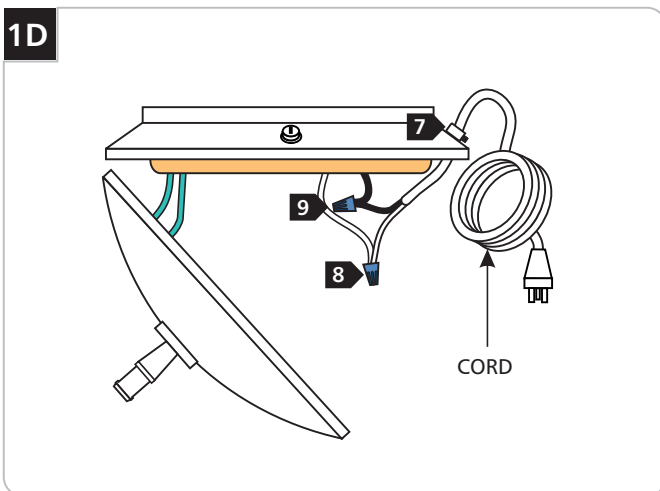


- 3** Remove the inside nut and washer to remove the crossbar with the attached nipple.
- 4** Remove the hole plug bushing.



**5** From outside of the transformer housing, insert the cord grip into the hole.

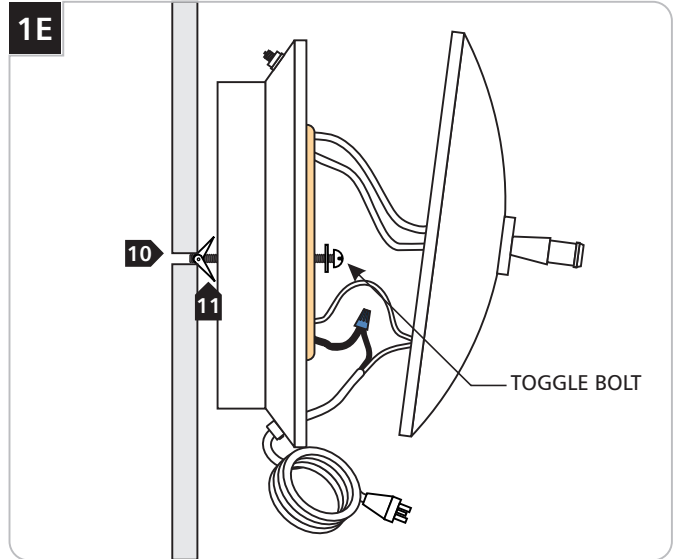
**6** From the inside of the transformer housing, secure the cord grip with the washer and nut.



**7** Feed the cord through the cord grip into the transformer housing. Tighten the slotted set screw with a flat head screwdriver to hold the cord in place.

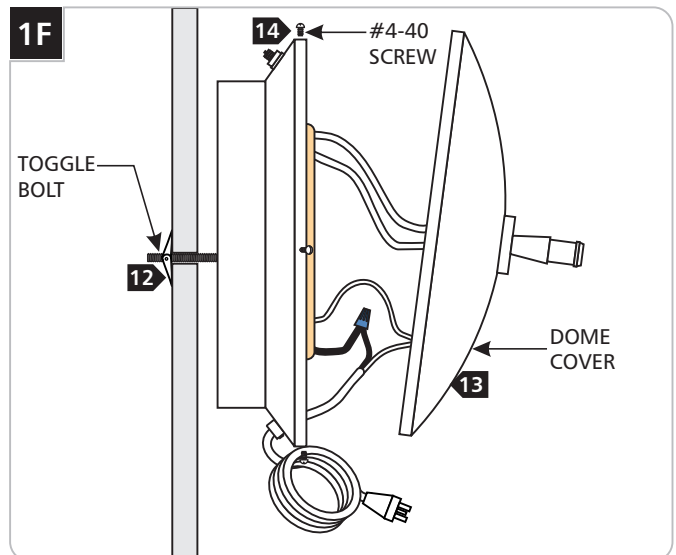
**8** Connect the cord white wire to the 120 volt transformer white wire with a wire nut.

**9** Connect the cord black wire to the 120 volt transformer black wire with a wire nut.



**10** Drill a 3/8" hole on the wall where the transformer is to be mounted.

**11** Push the toggle bolt through the transformer center hole.



**12** Tighten the toggle bolt screw to secure the transformer.

**13** Replace the dome cover onto the transformer housing. Line the dome cover holes up with the transformer housing holes.

**14** Replace and tighten the #4-40 Phillips head screws.

**15** Refer to the instruction provided with the transformer to connect the transformer to the system.



**TECH LIGHTING®**

7400 Linder Ave, Skokie, IL 60077

847.410.4400

[www.techlighting.com](http://www.techlighting.com)

© 2008 Tech Lighting, L.L.C. All rights reserved. The "Tech Lighting" graphic is a registered trademark of Tech Lighting, L.L.C. Tech Lighting reserves the right to change specifications for product improvements without notification.

A Generation Brands Company

**SAVE THESE INSTRUCTIONS!**