

Windfall 8 Outdoor Wall

7000WWND8_ 1.0



OUTDOOR

GENERAL PRODUCT INFORMATION:

This product is suitable for wet locations.

These fixtures are intended to be installed utilizing NEC compliant junction boxes.

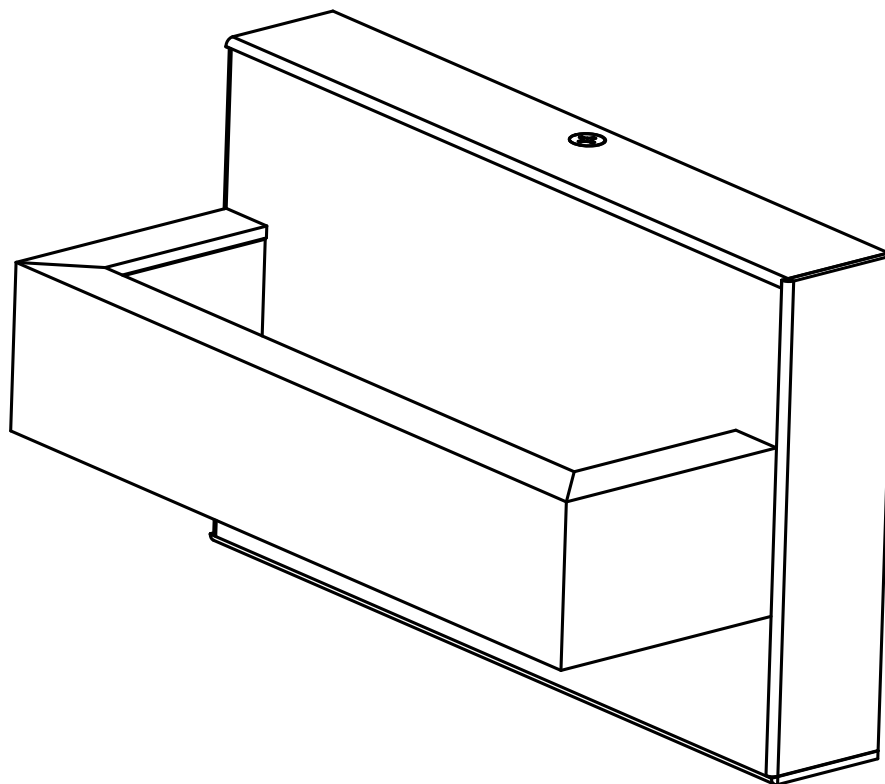
This product can be dimmed with most ELV, TRIAC or 0-10V dimmers.

This instruction shows a typical installation.



CAUTION - RISK OF FIRE
This product must be installed in accordance with the applicable installation code by a person familiar with the construction and operation of the product and the hazards involved.
Use minimum 90°C supply conductors.

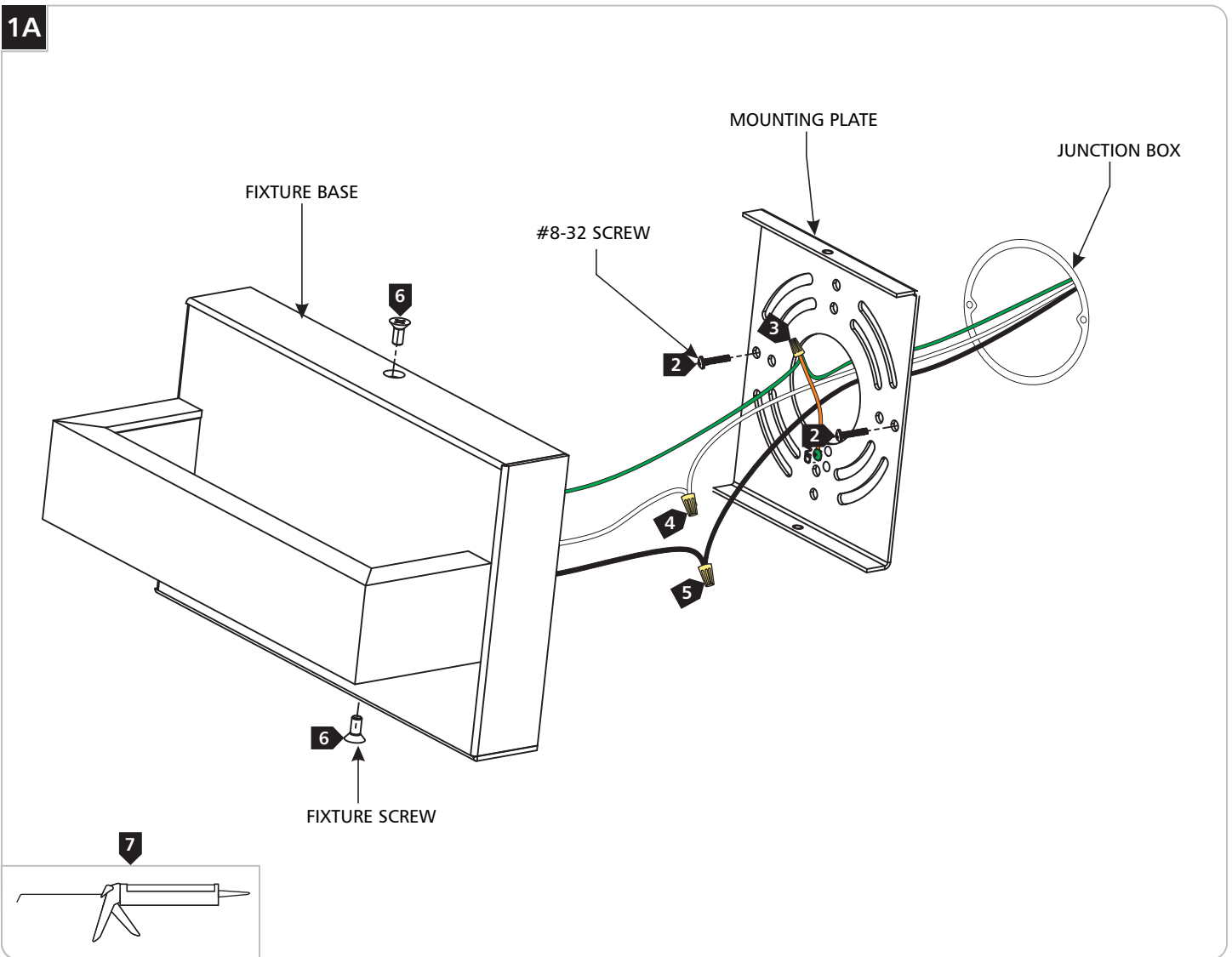
SAVE THESE INSTRUCTIONS!



7400 Linder Ave., Skokie, IL 60077
T 847.410.4400 | F 847.410.4500
www.techlighting.com

Install the Fixture

1A



- 1 Remove the fixture screws from the fixture base and remove the mounting plate.
- 2 Install the mounting plate to the junction box with the two #8-32 screws provided and ensure the mounting plate is level.
- 3 Connect the fixture to a suitable ground in accordance with local electrical codes.
- 4 Connect the white wire to the neutral power line with a wire nut.
- 5 Connect the black wire to the hot power line with a wire nut.
- 6 Properly place all wires and wire nut connections into the junction box or fixture base, mount the fixture base onto the mounting plate, and secure it in place with the fixture screws.
- 7 For wet locations, caulk around the base of the fixture with waterproof construction sealant.