

Cosmo 12/18 Outdoor Wall

7000WCOS_ 1.2



OUTDOOR

GENERAL PRODUCT INFORMATION:

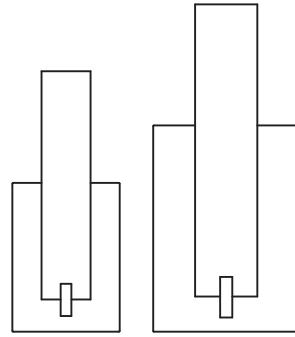
These fixtures are intended to be installed utilizing NEC compliant junction boxes.

This product is suitable for wet locations.

This fixture can only be mounted in the down position.

This product can be dimmed with most ELV, TRIAC, or 0-10V dimmers.

This instruction shows a typical installation.



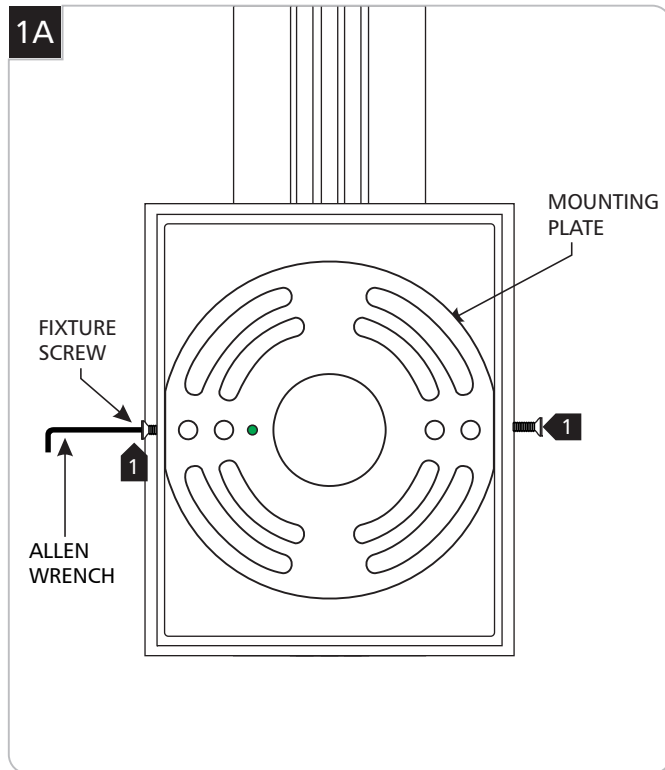
CAUTION - RISK OF FIRE

This product must be installed in accordance with the applicable installation code by a person familiar with the construction and operation of the product and the hazards involved.

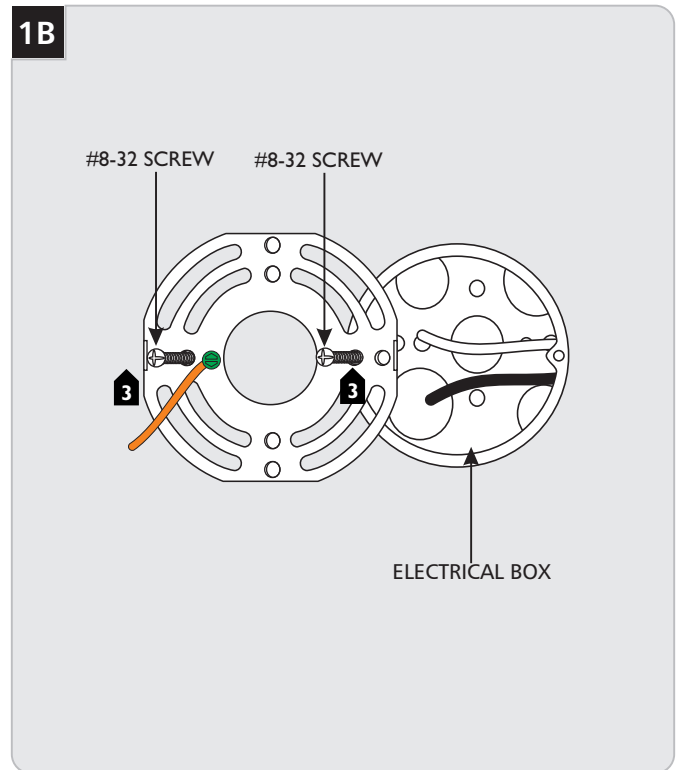
Use minimum 90°C supply conductors.

SAVE THESE INSTRUCTIONS!

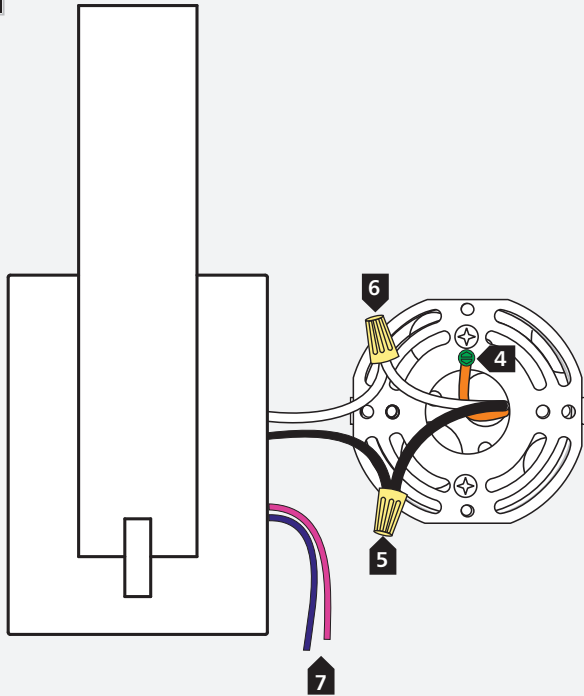
Install the Fixture



- 1** With the provided Allen wrench, remove the two mounting plate screws.
- 2** Remove the mounting plate from the back of the fixture.



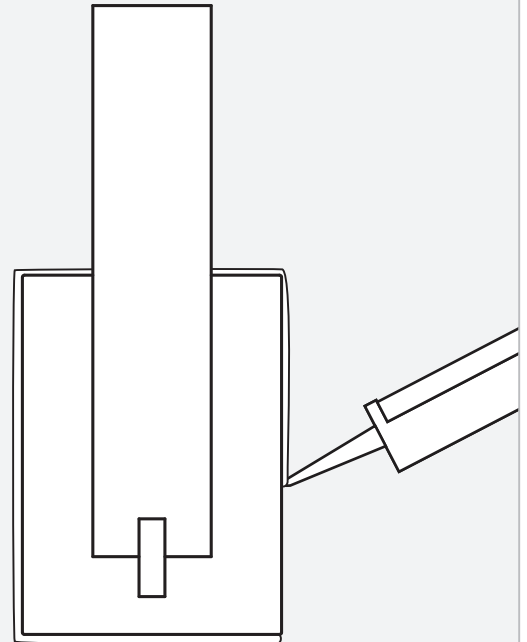
- 3** Install the mounting plate onto the electrical box with the two #8-32 screws provided.

1C

- 4 Connect the mounting plate ground wire to a suitable ground in accordance with local electrical codes.
- 5 Connect the black fixture wire to the hot power line wire with a wire nut.
- 6 Connect the white fixture wire to the neutral power line wire with a wire nut.
- 7 Use the pink/gray and purple dimming wires for 0-10v dimming application (if not in use, make sure to cap these wires off).
- 8 Properly place all wires and wire nut connections into the electrical box.
- 9 Mount the fixture by installing it back onto the mounting plate and reinstalling the fixture screws

Warning: The purple and pink/gray wires are only used for 0-10v dimming. For all other applications, do not connect the pink/gray and purple wires.

Note for In-Line Fuse equipped fixtures: in the case that the fixture is not operating correctly, make sure to check the fuse.

1D

- 10 For wet locations, caulk around the base with waterproof construction sealant.