

Ash Outdoor Wall

7000WASH 1.1



OUTDOOR



GENERAL PRODUCT INFORMATION:

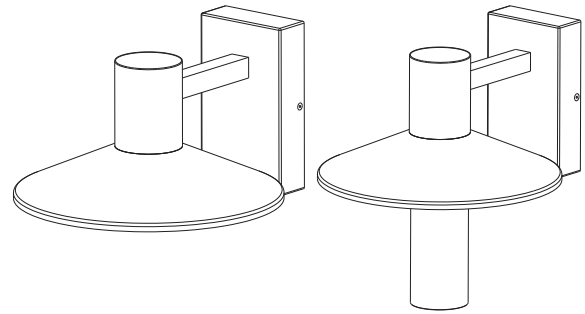
These fixtures are intended to be installed utilizing NEC compliant junction boxes.

This product is suitable for wet locations.

This fixture can only be mounted in the down position.

This product can be dimmed with most ELV, TRIAC, or 0-10V dimmers.

This instruction shows a typical installation.



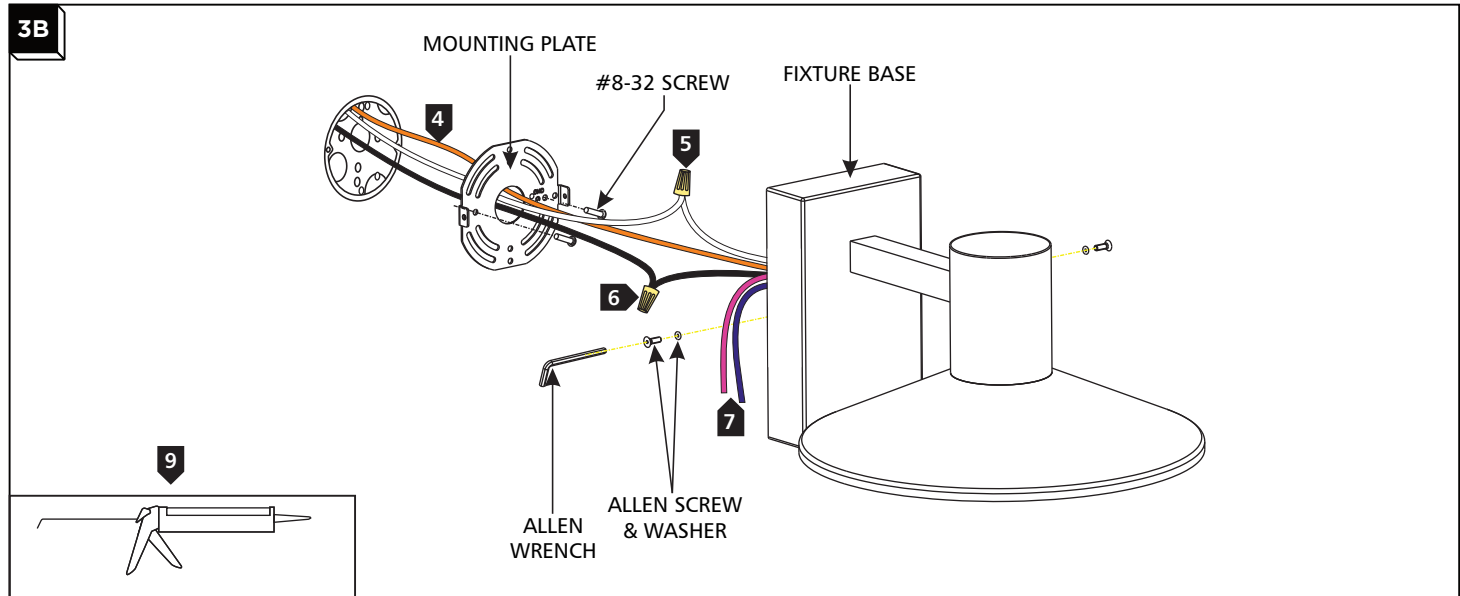
CAUTION - RISK OF FIRE

This product must be installed in accordance with the applicable installation code by a person familiar with the construction and operation of the product and the hazards involved.

Use minimum 90°C supply conductors.

SAVE THESE INSTRUCTIONS!

Install the Fixture



- 1** With the provided Allen wrench, remove the Allen screws and washers on both sides of the fixture base.
- 2** Remove the mounting plate from the back of the fixture.
- 3** Attach the mounting plate to the electrical box using the two provided #8-32 screws.
- 4** Connect the fixture to a suitable ground in accordance with local electrical codes.
- 5** Connect the white driver wire to the neutral power line.
- 6** Connect the black driver wire to the hot power line.
- 7** Use the gray and purple dimming wires for 0-10v dimming application (if not in use, make sure to cap these wires off). **Warning:** The purple and pink/gray wires are only used for 0-10v dimming. For all other applications, do not connect the gray and purple wires.
- 8** Properly place all wires and wire nut connections into the electrical box, mount the fixture back onto the mounting plate, and reinstall washers and Allen screws (reversal of step 1A).
- 9** For wet locations, caulk around the fixture base with waterproof construction sealant.

Note for In-Line Fuse equipped fixtures: in the case that the fixture is not operating correctly, make sure to check the fuse.

Note for Photocell equipped fixtures: at initial power up, the photocell must calibrate which will cause the fixture to cycle on/off for a moment.



7400 Linder Ave., Skokie, IL 60077

T 847.410.4400 | F 847.410.4500

www.techlighting.com