

# Arkay Bollard

7000BARK\_ 1.1



OUTDOOR

**GENERAL PRODUCT INFORMATION:**

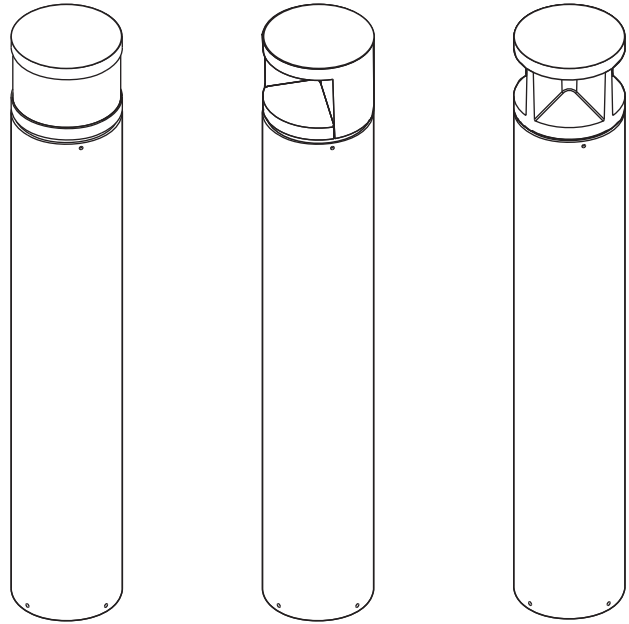
This product is suitable for wet locations.

Refer to the product specsheet for dimming information.

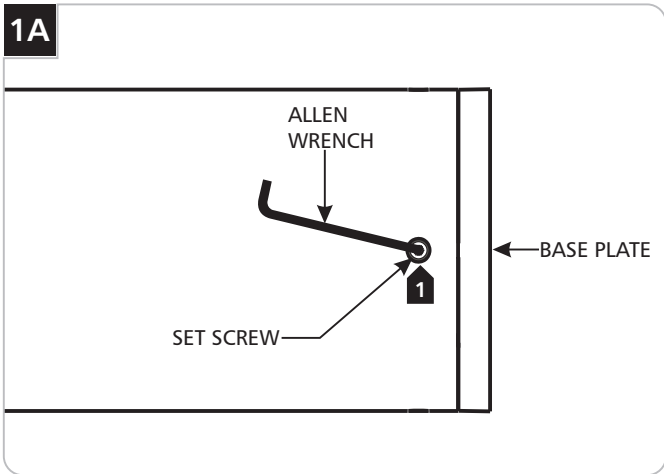


**CAUTION - RISK OF FIRE**  
 This product must be installed in accordance with the applicable installation code by a person familiar with the construction and operation of the product and the hazards involved.  
**Use minimum 90°C supply conductors.**

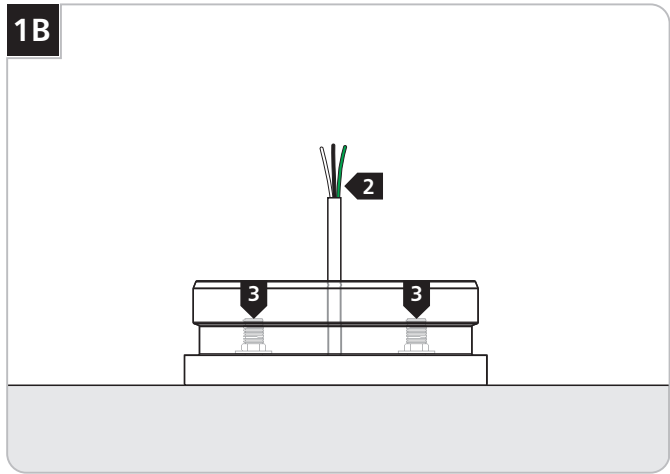
**SAVE THESE INSTRUCTIONS!**



## Prepare the Fixture

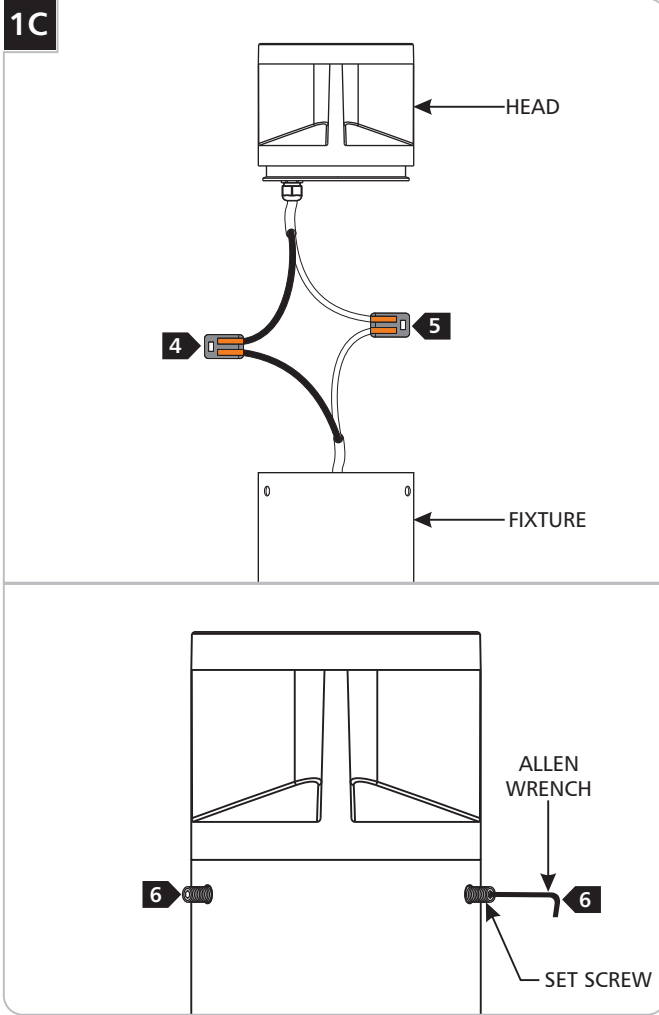


**1** Loosen (**Do Not Remove**) the set screws on fixture base with the provided Allen wrench and remove the base plate.



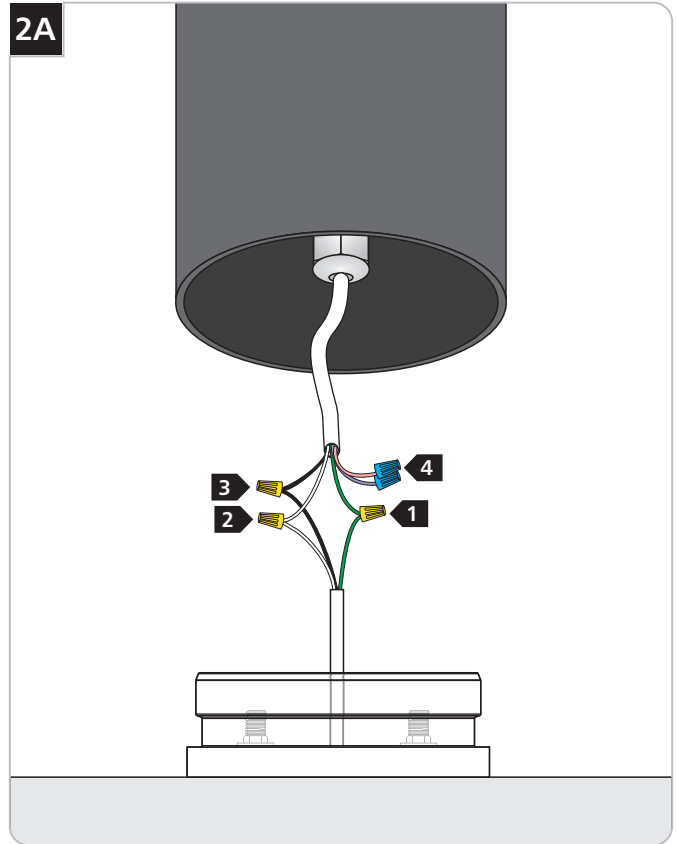
**2** Bring the power wires to the fixture location in accordance with local electrical codes.  
**3** Mount the base plate to an even and smooth surface using the provided template on page 4.

## Wire the Fixture



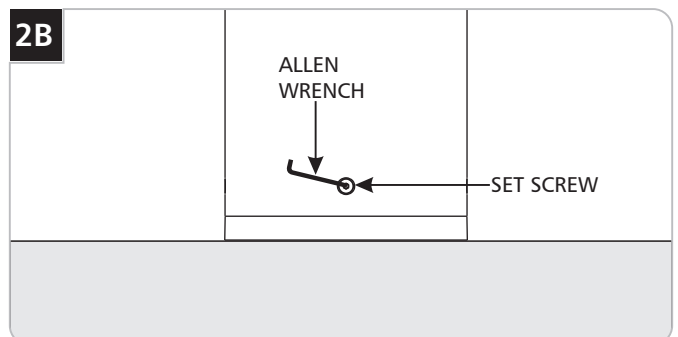
**Note:** If necessary, use the following steps to install the head onto the fixture. If head is already installed, skip this step.

- 4 Connect the white wire from the head to the white fixture wire using a provided connector.
- 5 Connect the black wire from the head to the black fixture wire using a provided connector.
- 6 Place the head on the fixture and secure them together by tightening the set screws using the provided Allen wrench.



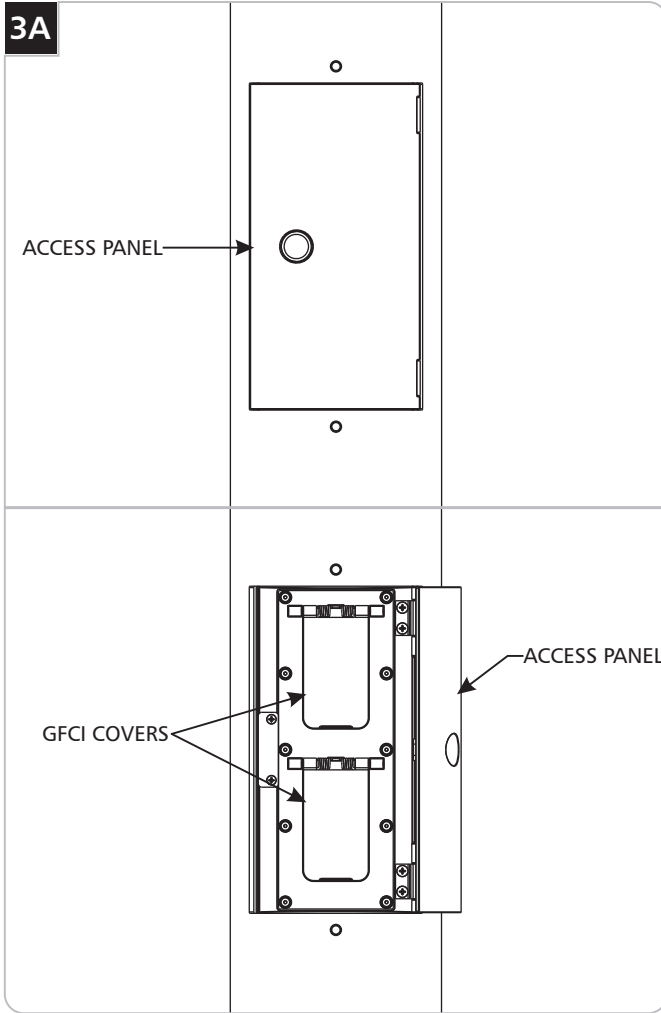
- 1 Connect the fixture to a suitable ground in accordance with local electrical codes.
- 2 Connect the white fixture wire to one of the low-voltage power line wires with a wire nut.
- 3 Connect the black fixture wire to the remaining low-voltage power line wire with a wire nut.
- 4 Use the pink/gray and purple dimming wires for 0-10v dimming application (if not in use, make sure to cap these wires off).

**Warning:** The purple and pink/gray wires are only used for 0-10v dimming. For all other applications, do not connect the gray and purple wires.



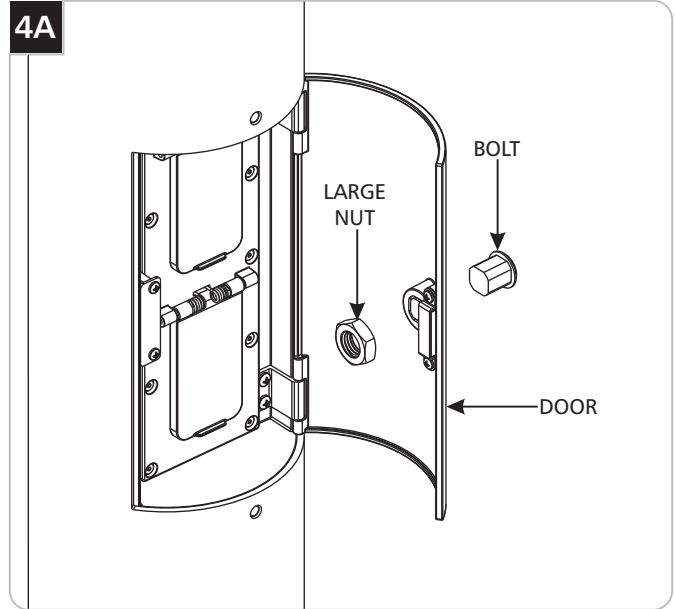
- 5 Carefully install the fixture onto the base plate and secure it in place by tightening all set screws.

## Ground Fault Circuit Interrupter Models Only (GFCI)

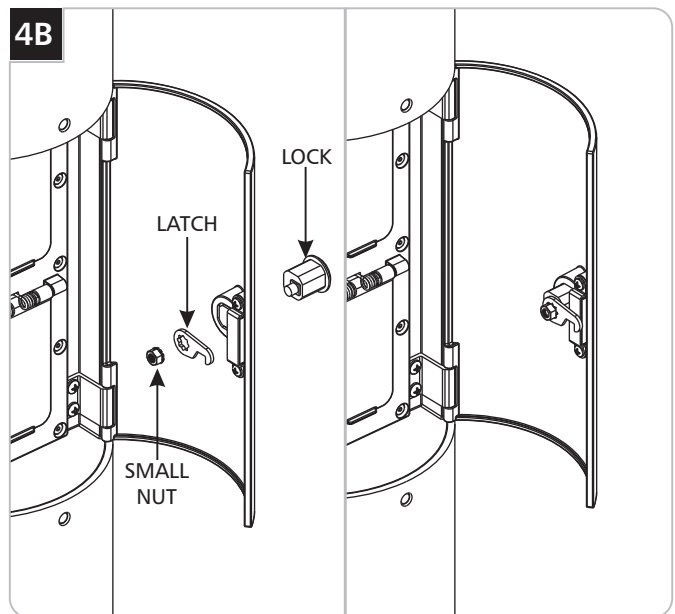


- 1 To use Ground Fault Circuit Interrupter (GFCI), open the access panel and lift the GFCI cover.

## Install Lock GFCI Models Only (optional)



- 1 Unscrew the nut from the bolt, then remove the bolt from the door.



- 2 Unscrew and remove the small nut from the lock followed by the latch.
- 3 Install the lock to the door using the latch and small nut as shown.

 **TECH LIGHTING**

7400 Linder Ave., Skokie, IL 60077  
T 847.410.4400 | F 847.410.4500  
[www.techlighting.com](http://www.techlighting.com)

# ARKAY BOLLARD MOUNTING PLATE TEMPLATE

**WARNING:** If printing this template, ensure printer settings are set to actual size.

