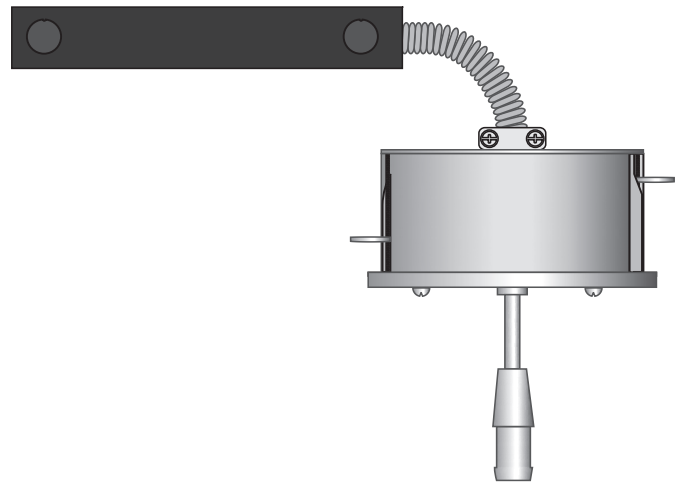




## REMODEL RECESSED TRANSFORMERS

### CAUTION—RISK OF FIRE

This product requires installation by a qualified electrician. Before installing be sure to read all instructions and DISCONNECT POWER TO THE ELECTRICAL BOX.



## GENERAL PRODUCT INFORMATION

This product is suitable only for dry locations and approved for use at any height above the finished floor.

**This product must not be installed in insulated ceilings.**

This product may be dimmed only with a low voltage electronic dimmer. Using a dimmer not designed for low voltage electronic applications may work initially, but could eventually cause transformer failure and will void the warranty. The dimmer must be derated as indicated by the dimmer manufacturer.

This product is intended for use with Tech Lighting low voltage lighting systems only.

A typical installation is shown. Specific installation must be in accordance with local electrical codes. Read all instructions thoroughly before installing.

## IMPORTANT SAFETY INFORMATION

Do not conceal or extend bus bar conductors through a building wall.

To reduce the risk of fire and burns, do not install this lighting system where the uninsulated open bus bar conductors can be shorted or contact any conductive materials.

To reduce the risk of the system overheating and possibly causing a fire, make sure all the connections are tight.

Do not install fixture assemblies closer than six inches to curtains or similarly combustible materials.

Turn the electrical power off before modifying the lighting system in any way.

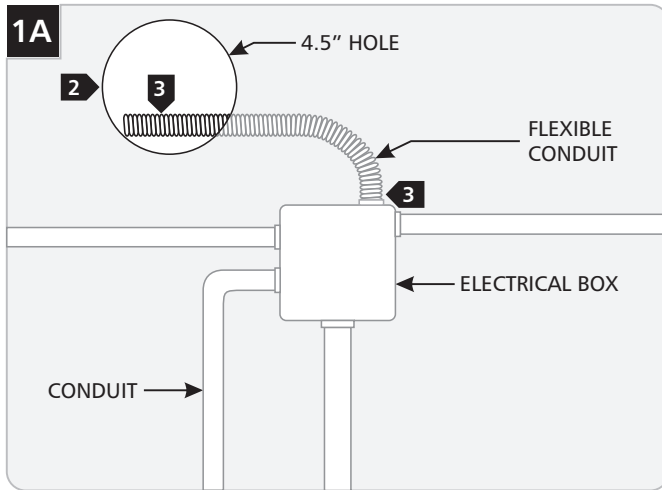
The fixtures used with the system must be identified to be used with the corresponding system.

Minimum volume of the electrical box must be 6 cubic inches (98 cubic centimeters).

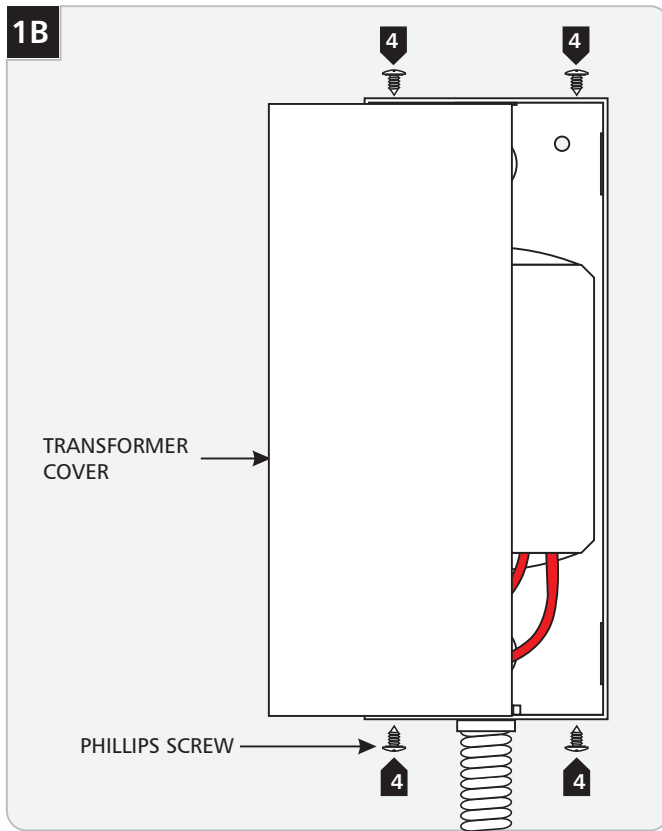
Load the circuit of the transformer to no more than the maximum rated capacity as specified.

To reset the electronic surface transformer, turn the power off then on (main power, breaker panel, or wall switch).

## Prepare for Installation

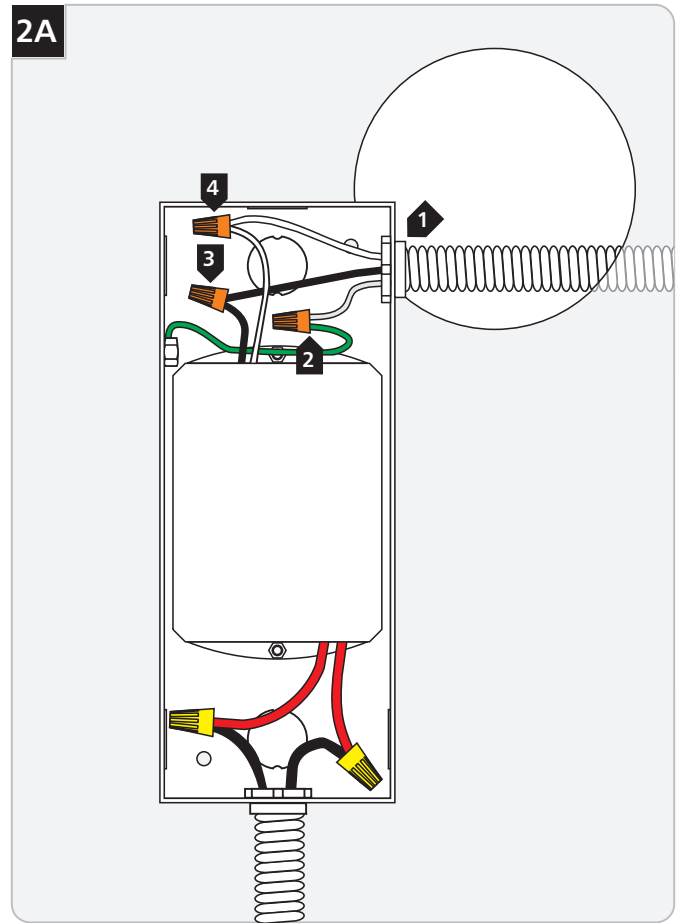


- 1** Locate any electrical boxes and conduit already present in the ceiling.
- 2** Cut a 4.5" diameter hole in the ceiling near a usable electrical box. Take care not to cut into any existing electrical boxes or conduit.
- 3** Attach flexible conduit to an electrical box and feed the conduit out of the hole.



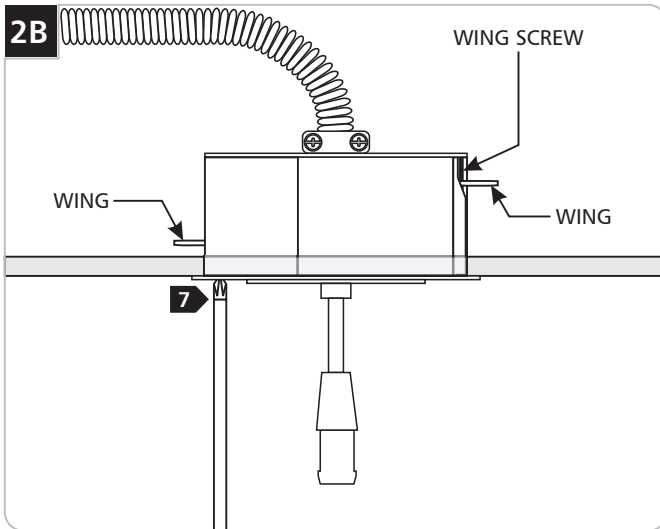
- 4** Remove the four Phillips screws to remove the transformer cover.

## Install the Transformer

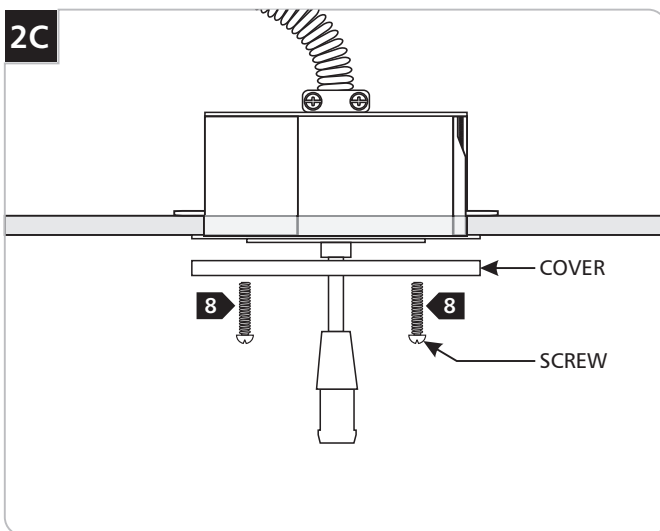


- 1** Attach the flexible conduit to the transformer.
- 2** Connect the ground wire to a suitable ground in accordance with local electrical codes.
- 3** Connect the black transformer wire to the hot power line wire with a wire nut.
- 4** Connect the white transformer wire to the neutral power line wire with a wire nut.
- 5** Replace the transformer cover and screws.
- 6** Place the transformer into the ceiling through the 4.5" hole.

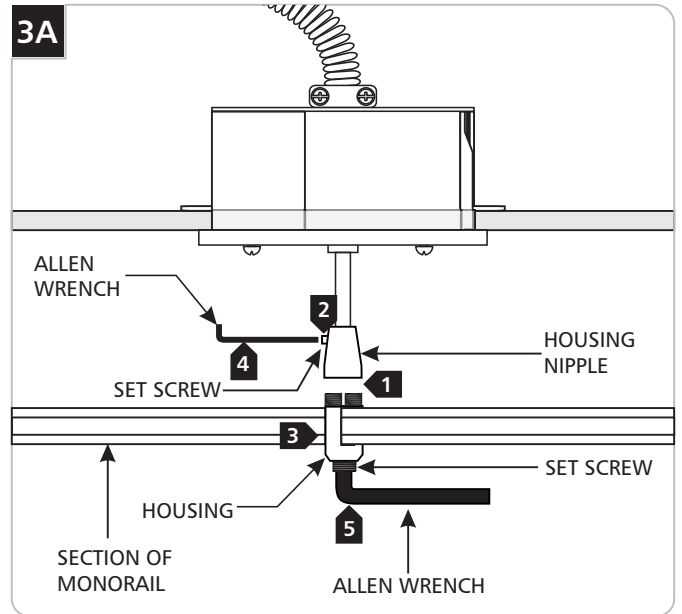
## Connect the Power Feed to the Monorail



- 7** Tighten the two wing screws with a screwdriver until the wings secure the power feed port into the hole. An electric screwdriver will make this easier.



- 8** Mount the cover to the power feed port with the two #8-32 screws provided.



- 1** Unscrew the housing from the housing nipple.
- 2** Loosen the small set screw on the housing nipple with the small Allen wrench.
- 3** Place the MonoRail into the housing. Screw the housing nipple to the housing tight by twisting the housing nipple clockwise.
- 4** Tighten the small set screw on the housing nipple with the small Allen wrench.
- 5** Tighten the large set screw on the bottom of the housing with the large Allen wrench.

**SAVE THESE INSTRUCTIONS!**



7400 Linder Ave, Skokie, IL 60077  
847.410.4400

[www.techlighting.com](http://www.techlighting.com)

© 2008 Tech Lighting, L.L.C. All rights reserved. The "Tech Lighting" graphic is a registered trademark of Tech Lighting, L.L.C. Tech Lighting reserves the right to change specifications for product improvements without notification.  
A Generation Brands Company