

ModernRail Wall with Remote Transformer

700MDWRMT_ 1.0



GENERAL PRODUCT INFORMATION:

These fixtures are intended to be installed utilizing NEC compliant junction boxes.



This product is dimmable with a low-voltage electronic dimmer.

This product is suitable for dry locations only.

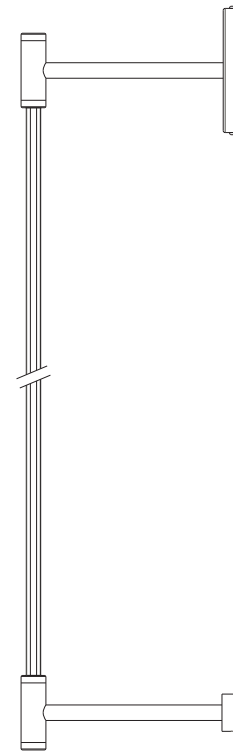
This instruction shows a typical installation.

CAUTION - RISK OF FIRE

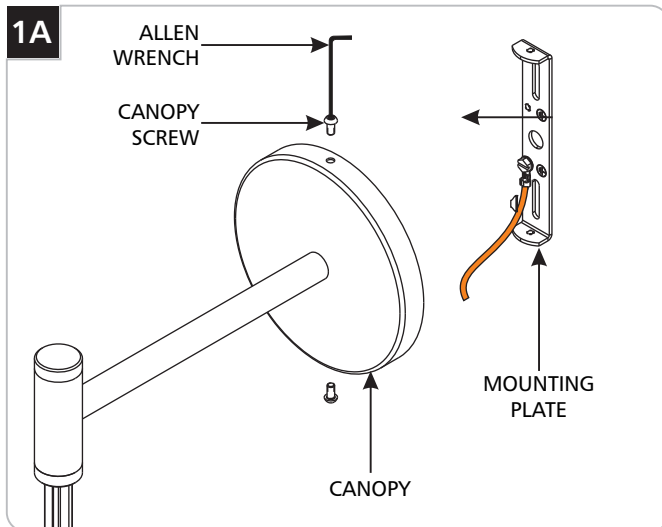
This product must be installed in accordance with the applicable installation code by a person familiar with the construction and operation of the product and the hazards involved.

Use minimum 90°C supply conductors.

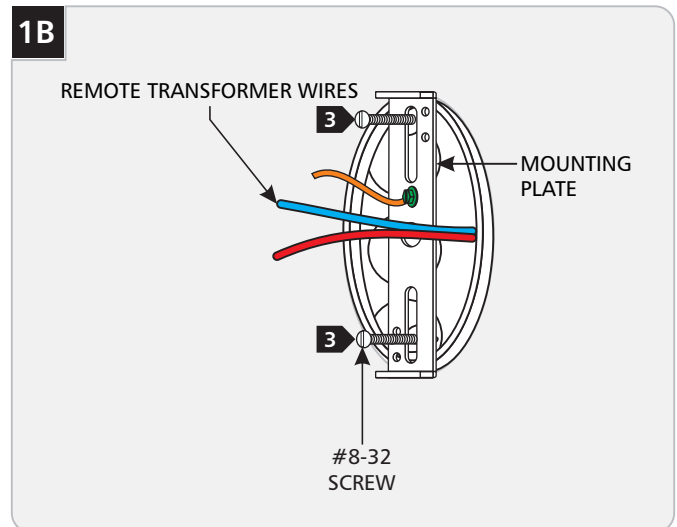
Two Person Installation Recommended



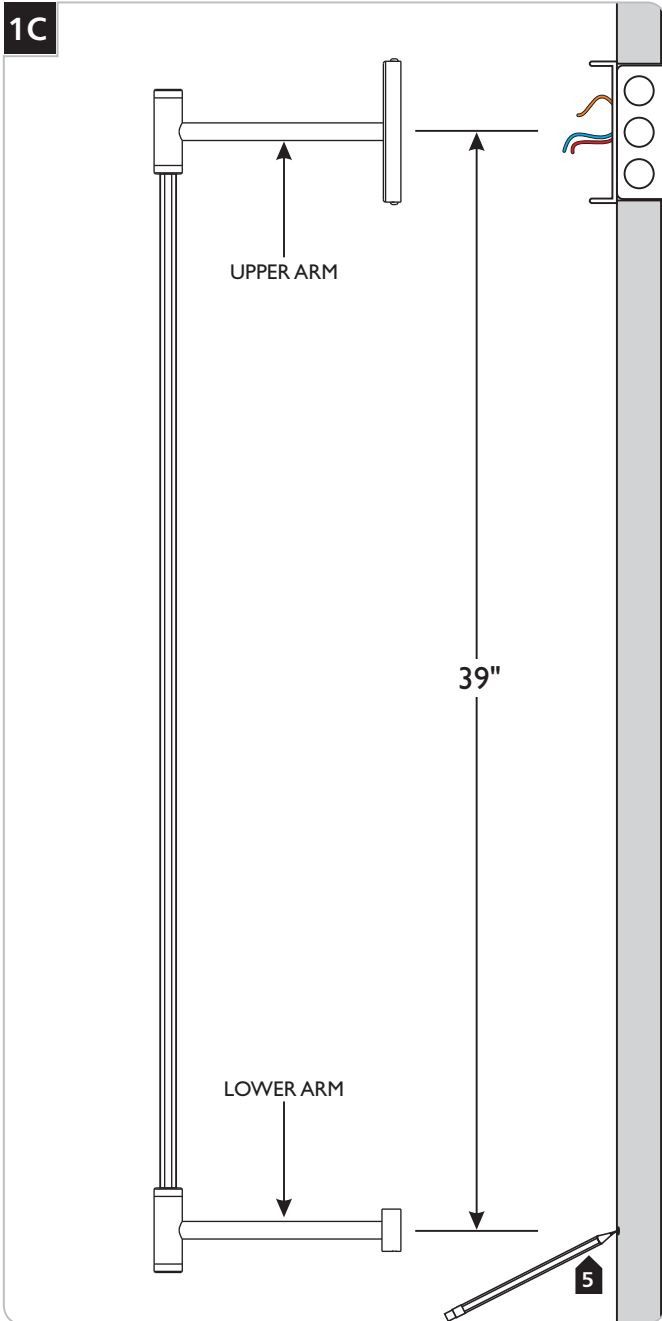
Install the Fixture



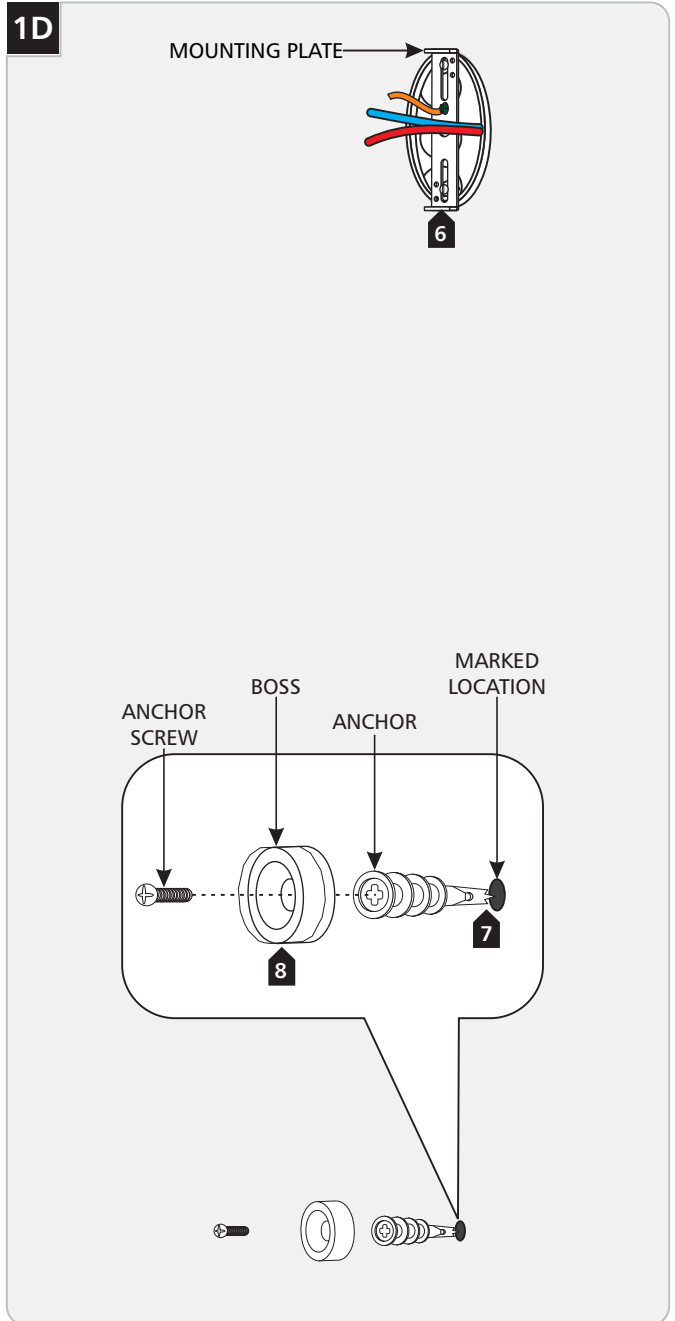
- 1 Remove the canopy screws using the provided Allen Wrench.
- 2 Remove the mounting plate from the canopy.



- 3 Use the instructions provided with the remote transformer to bring power to the junction box.
- 4 Secure the mounting plate to the electrical box with the #8-32 screws provided.

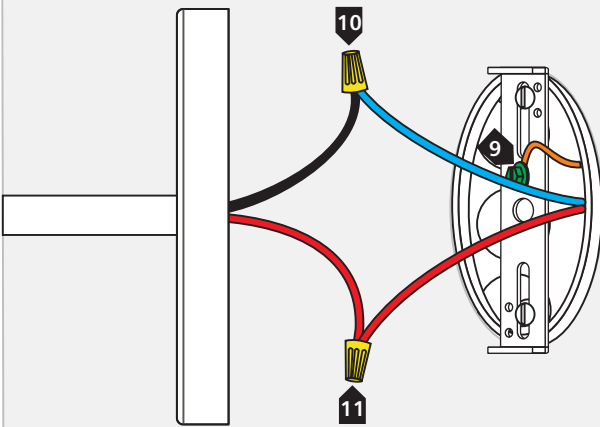


- 5** Using the diagram above, mark the anchor hole location for the lower arm onto the wall. The fixture measure 39" from the center of the upper arm to the center of the lower arm.



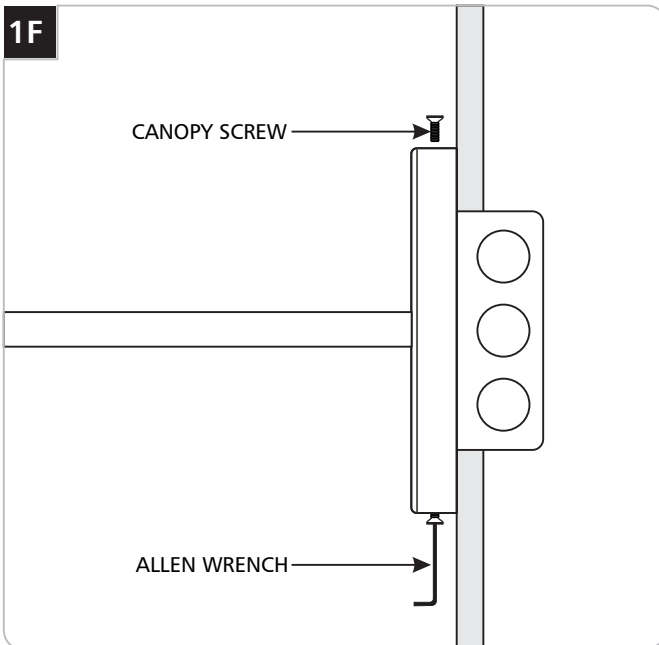
- 6** Verify that the mounting plate is level before continuing.
- 7** Line up an anchor tip with the marked location, and push the anchor into the wall up to the threads. Screw the anchor in the rest of the way with a Phillips-head screwdriver.
- 8** Slide the anchor screw through the boss, then screw it into the anchor.

1E



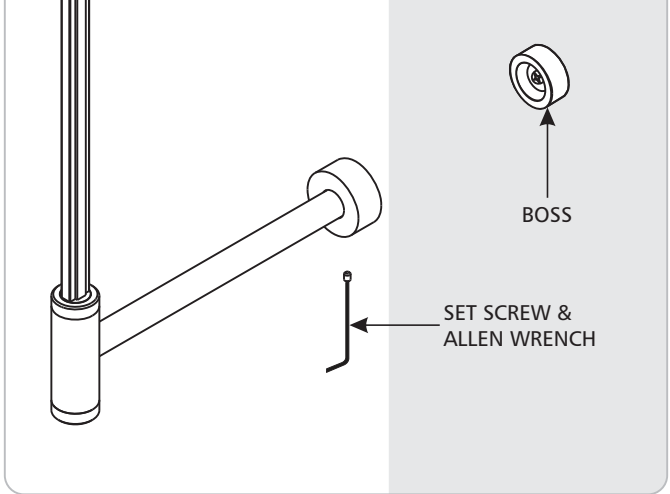
- 9** Connect the fixture to a suitable ground in accordance with local electrical codes.
- 10** Connect the black fixture wire to the blue (-) transformer wire with a wire nut.
- 11** Connect the red fixture wire to the red (+) transformer wire with a wire nut.

1F



- 12** Neatly place all wires and wire nut connections inside the canopy.
- 13** Align the canopy holes with the mounting plate holes. Secure the canopy in place by tightening the canopy screws using the provided Allen Wrench.

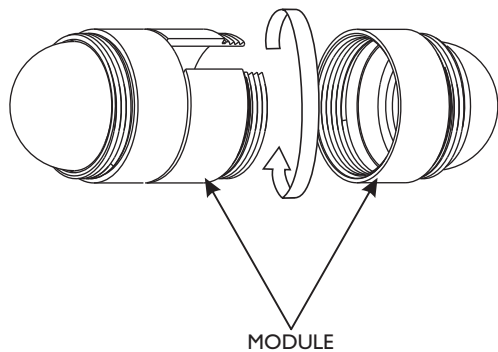
1G



- 14** Place the lower arm onto the boss and secure them together by screwing in the set screw using the provided Allen wrench.

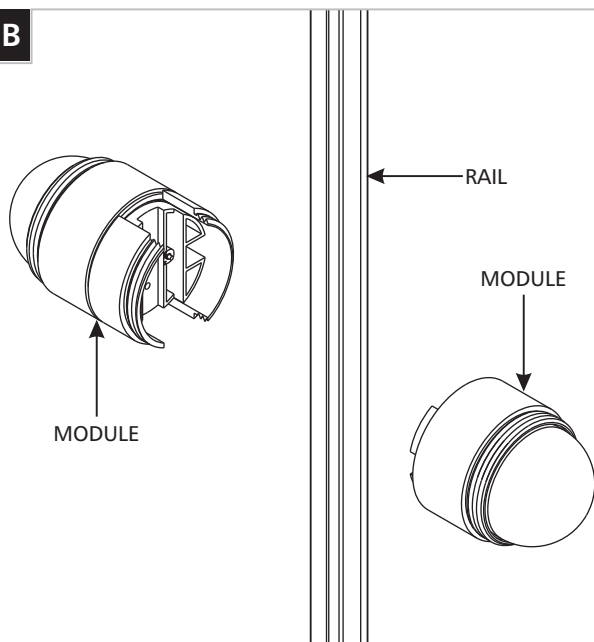
Install the Module and Shade

2A



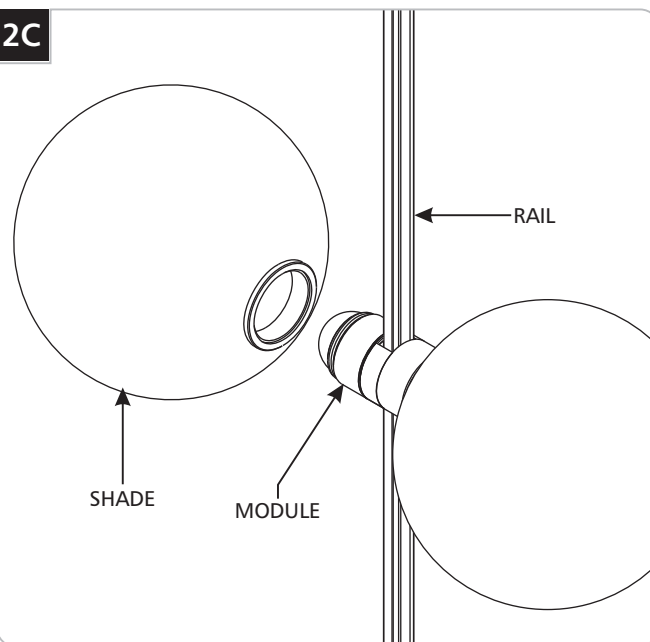
- 1 Separate the two halves of the module by unscrewing them from one another.

2B



- 2 Install the two module halves onto the rail and secure in place by screwing them together. **Make sure to match the polarity markings positive (+) and negative (-) on the rail.**

2C



- 3 Install the shade by screwing it into the base. **Do not over-tighten. A maximum of 4 modules or 32W Max can be installed per rail.**
- 4 Repeat steps 1-3 for remaining modules.

SAVE THESE INSTRUCTIONS!



TECH LIGHTING®

7400 Linder Ave, Skokie, IL 60077

847.410.4400

www.techlighting.com

© 2018 Tech Lighting, L.L.C. All rights reserved. The "Tech Lighting" graphic is a registered trademark of Tech Lighting, L.L.C. Tech Lighting reserves the right to change specifications for product improvements without notification.

A Generation Brands Company