

Biza Mechanical Connector

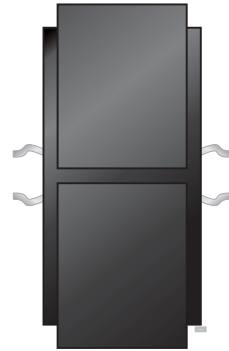
700BIZA_ 1.0



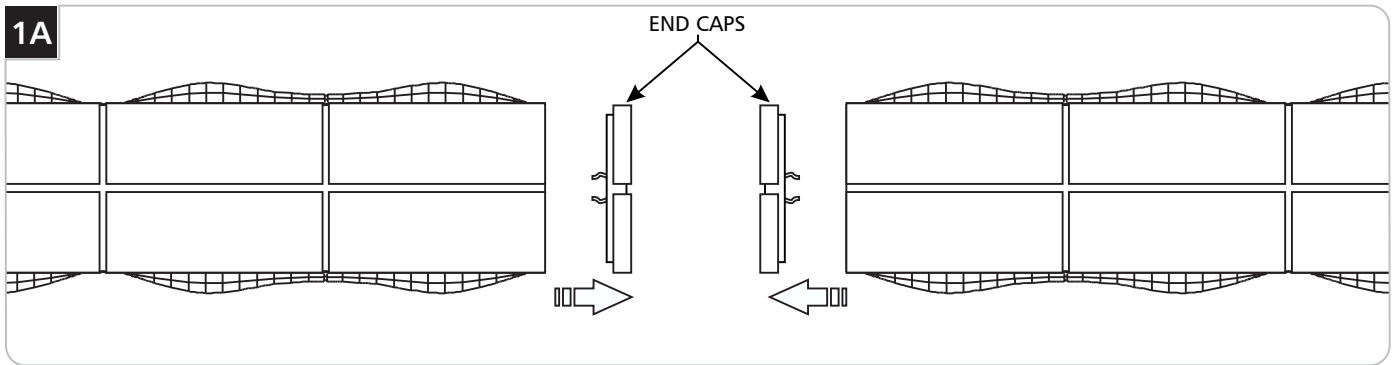
SUSPENSION

GENERAL PRODUCT INFORMATION: 

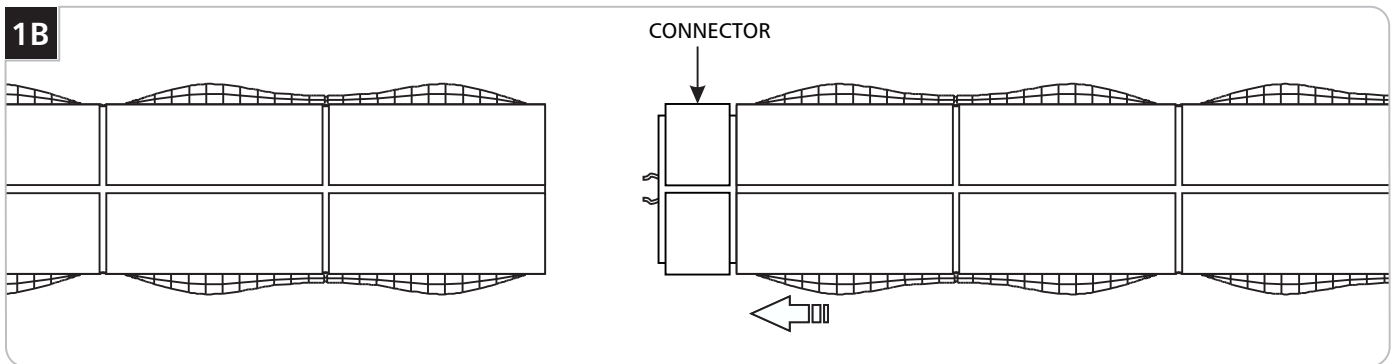
Follow the instructions provided with the fixture to install them at their pre-determined locations.



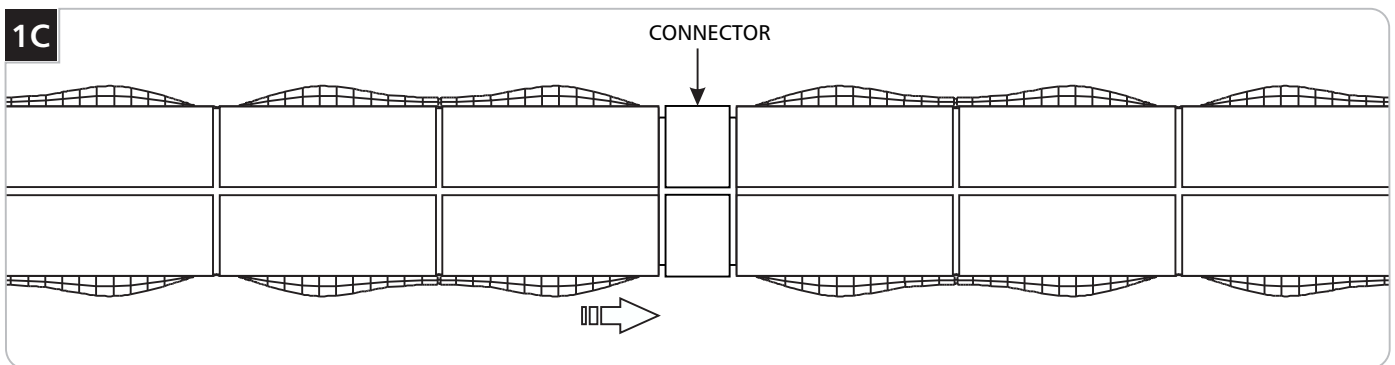
Connect the Fixtures



1 Pull out the end caps on the connecting ends of the fixture.



2 Push the connector into one of the fixture ends until it snaps into place.



3 Push the other fixture end to the connector until it firmly snaps into place.

SAVE THESE INSTRUCTIONS!



TECH LIGHTING®

7400 Linder Ave, Skokie, IL 60077

847.410.4400

www.techlighting.com

© 2015 Tech Lighting, L.L.C. All rights reserved. The "Tech Lighting" graphic is a registered trademark of Tech Lighting, L.L.C. Tech Lighting reserves the right to change specifications for product improvements without notification.

A Generation Brands Company