

# Fiama 24, 30, and 48 Suspension

700FIA\_ 1.5



SUSPENSION

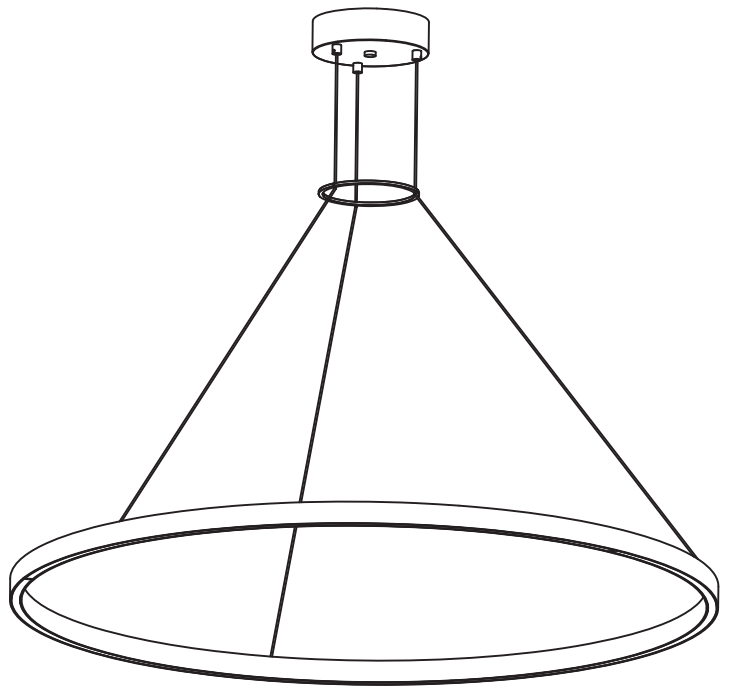
## GENERAL PRODUCT INFORMATION:

These fixtures are intended to be installed utilizing NEC compliant junction boxes.



This product is suitable for damp locations.

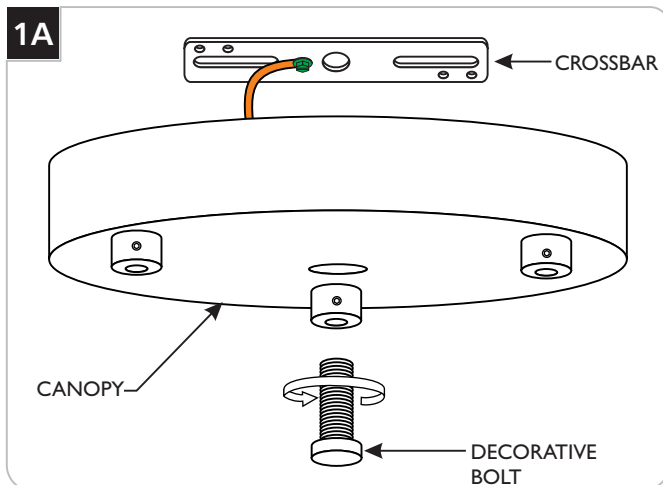
This product can be dimmed with a low-voltage electronic dimmer.



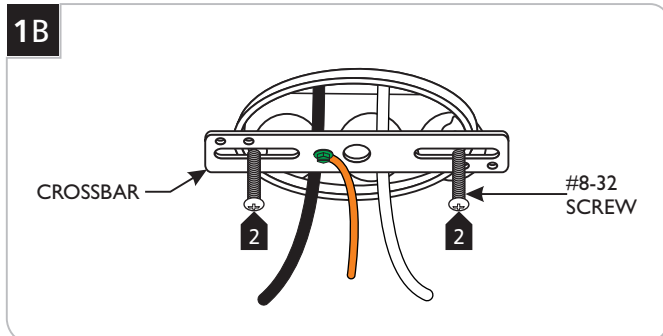
**CAUTION - RISK OF FIRE**  
 This product must be installed in accordance with the applicable installation code by a person familiar with the construction and operation of the product and the hazards involved.  
**Use minimum 90°C supply conductors.**

**SAVE THESE INSTRUCTIONS!**

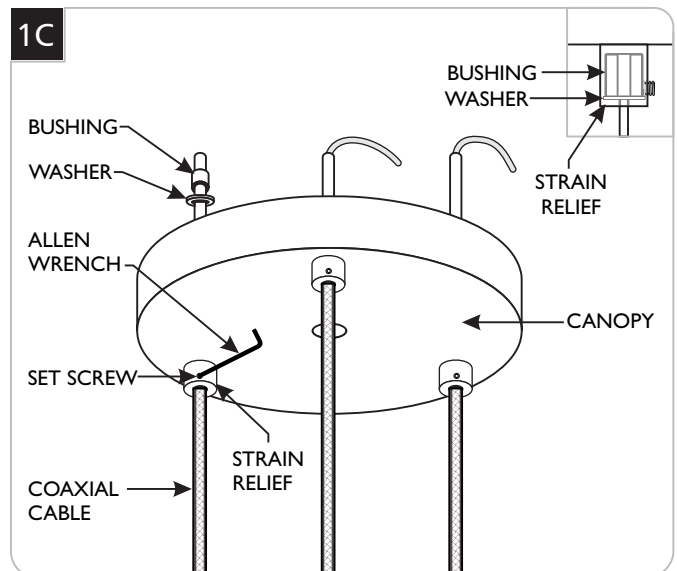
## Prepare the Canopy



**1** Remove the crossbar from the canopy by completely unscrewing the decorative bolt.

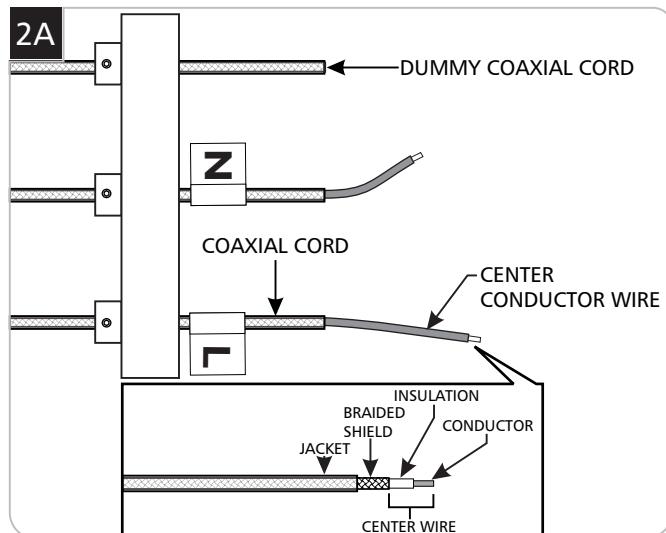


**2** Mount the crossbar assembly to the electrical box with the two provided #8-32 screws.



- 3** Using the provided Allen wrench, loosen (**Do Not Remove**) the set screw on each strain relief.
- 4** Place the fixture on a level surface.
- 5** Evenly pull the three coaxial cables through the canopy until it reaches the length desired.
- 6** Install a washer and then a bushing onto each coaxial cord and slide them down and into the strain reliefs.
- 7** Ensure that the canopy is level and re-tighten the set screws on the strain reliefs.

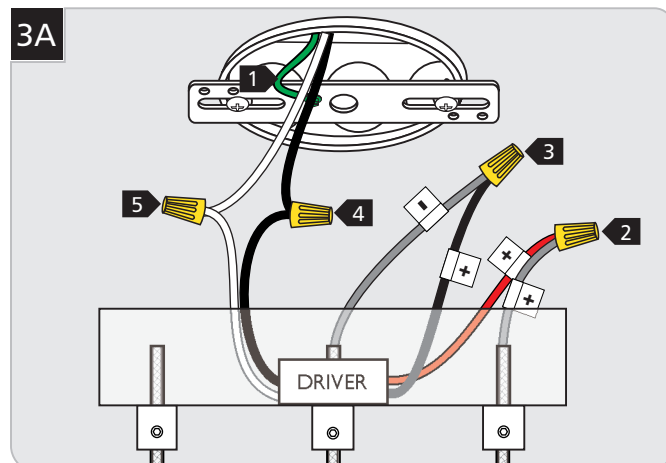
## Shorten Cords for 24 (Optional)



**NOTE:** If shortening is necessary, ensure that the cable identifiers are not removed during installation. If no shortening is necessary, skip to section 3A.

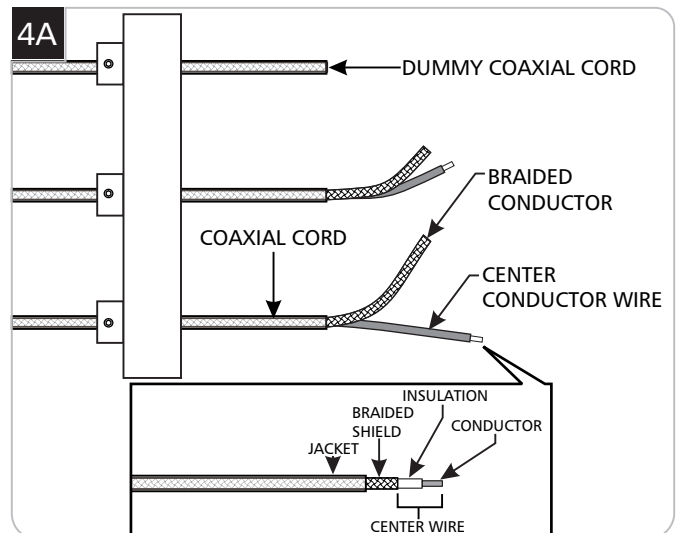
- 1 Leave 6" behind for wire connections, cut off the excess cord. **NOTE:** This fixture contains one dummy coaxial cord.
- 2 From the end of the cord, strip the jacket and braided shield 4" using a sharp knife. **Make sure not to nick the center conductor wire.**
- 3 Strip the end of the center conductor wire.

## Wire the Fixture (for 24)



- 1 Connect the fixture ground wire to a suitable ground in accordance with local electrical codes.
- 2 Connect the red driver wire labeled "+" (positive) to the fixture coaxial cord labeled "+" (positive) with a wire nut. **NOTE:** Ensure that the center conductor wire is being connected, not the braided shield.
- 3 Connect the black driver wire labeled "-" (negative) to the fixture coaxial cord labeled "-" (negative) with a wire nut. **NOTE:** Ensure that the center conductor wire is being connected, not the braided shield.
- 4 Connect the black 120V input to the hot power line wire with a wire nut.
- 5 Connect the white 120V input to the neutral power line.

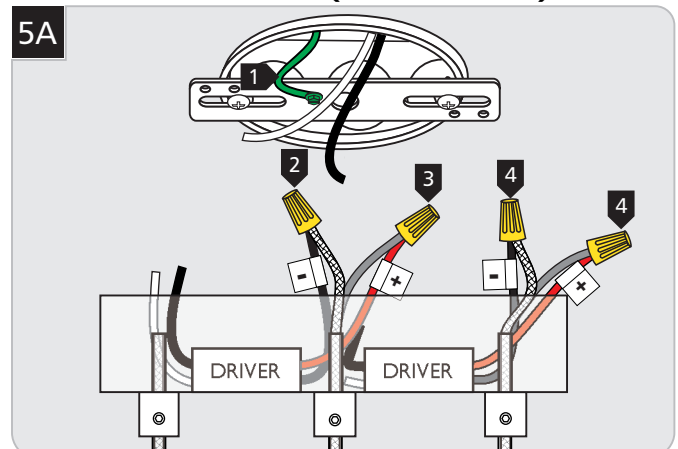
## Shorten Cords for 30 & 48 (Optional)



**NOTE:** If no shortening is necessary, skip to section 5A.

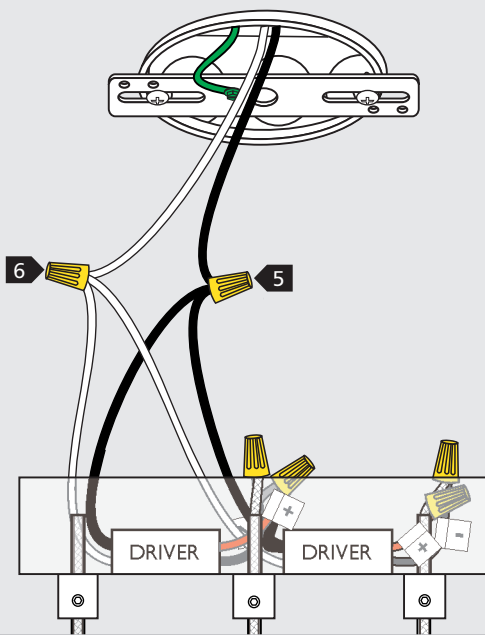
- 1 Leave 6" behind for wire connections, cut off the excess cord. **NOTE:** This fixture contains one dummy coaxial cord.
- 2 From the end of the cord, strip the jacket 4" using a sharp knife. **Make sure not to nick the braided shield and center conductor wire.**
- 3 Without nicking the center wire conductor, make a 1/4" cut at the base of the exposed braided shield and pull the center conductor wire out. **Make sure not to further damage the braided conductor while doing so.**
- 4 Strip the end of the center conductor wire.

## Wire the Fixture (for 30 & 48)



- 1 Connect the fixture ground wire to a suitable ground in accordance with local electrical codes.
- 2 Connect the braided conductor wire from one of the fixture cords to a black driver wire labeled "-" (negative) with a wire nut. **NOTE:** Ensure that the braided shield is being connected, not the center conductor wire.
- 3 Connect the center conductor wire from one of the fixture cords to a red driver wire labeled "+" (positive) with a wire nut. **NOTE:** Ensure that the center conductor wire is being connected, not the braided coaxial shield.
- 4 Repeat step 1-3 for the other fixture cord.

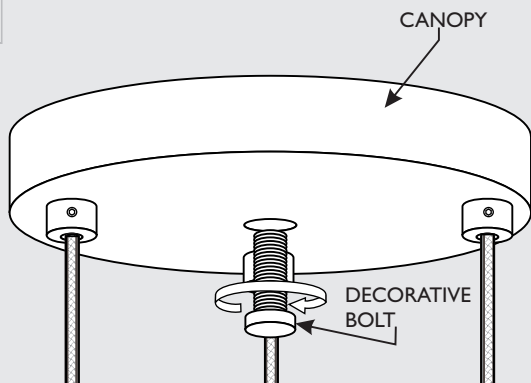
5B



- 5 Connect the black 120V input wires from each driver to the hot power line wire with a wire nut.
- 6 Connect the white 120V input wires from each driver to the neutral power line wire with a wire nut.

### Complete Installation

6A



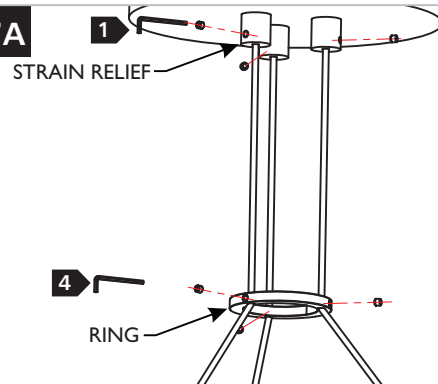
- 1 Place all wires and wire nut connections properly inside the canopy.
- 2 Align the canopy center hole with the crossbar center hole.
- 3 Slide the canopy up against the ceiling and secure it in place by tightening the decorative bolt.

### Additional Leveling (optional)

**NOTE:** If necessary, minor leveling adjustments to the fixture may be needed. It is recommended that one person hold the fixture straight with the use of a level while the other adjusts the coaxial cable.

**CAUTION:** Only pull out extra cable for leveling if enough cord was left behind the canopy. Minimal amounts of cord should be pulled out for fine leveling.

7A

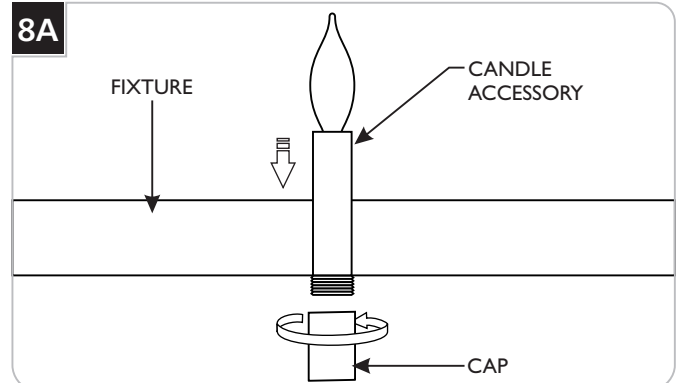


**CAUTION:** Make sure to support the fixture if fine leveling is necessary.

- 1 Loosen (do not remove) the set screws on the canopy strain relief on the side which needs adjusting.
- 2 Evenly and gently pull out the coaxial cable, in very small increments, through the strain relief to adjust whichever side to level the fixture.
- 3 Ensure that the fixture is level and re-tighten the set screw on the strain relief.
- 4 To adjust the ring to the desired look, loosen (do not remove) the set screws and slide the ring up or down, then re-tighten the set screws.

### Install Optional Candle Accessories

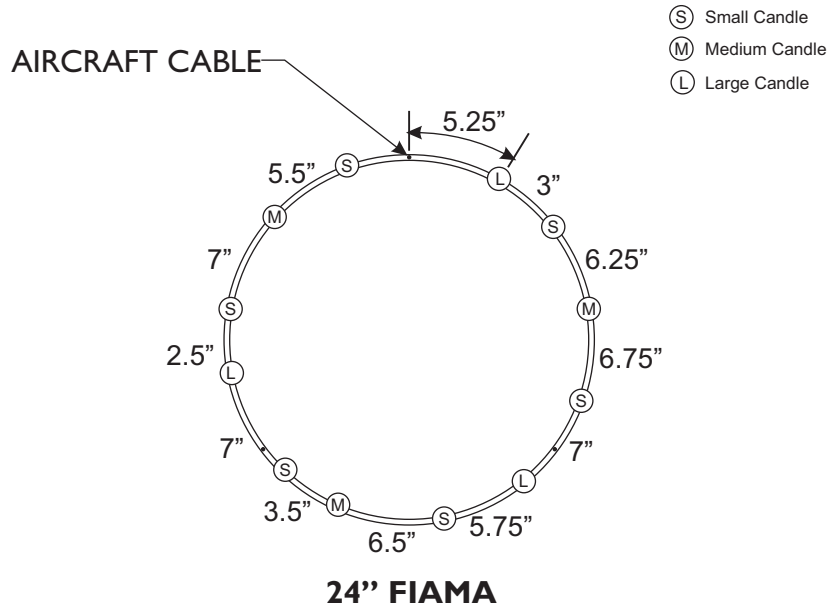
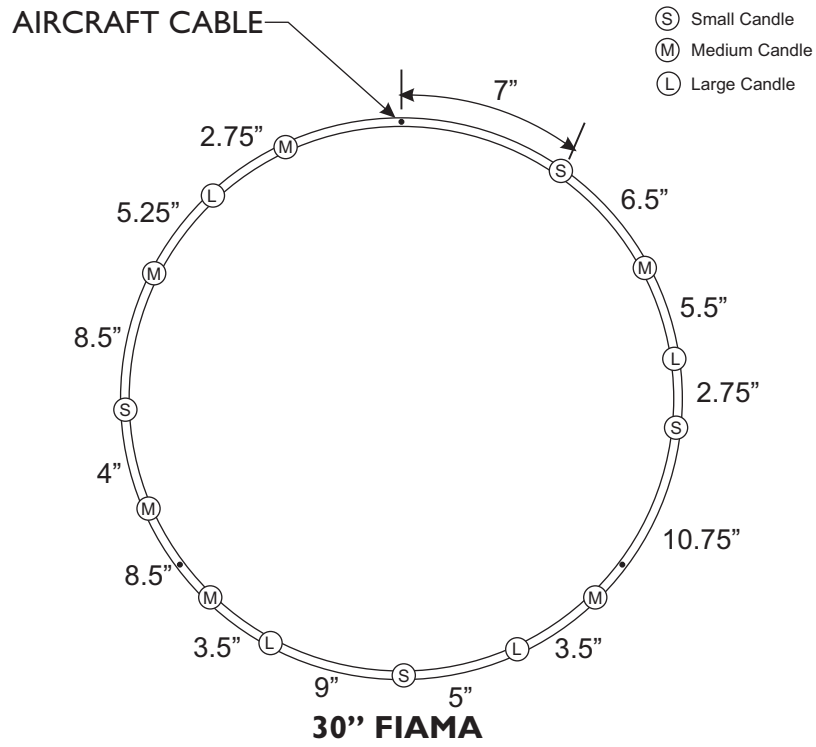
8A



- 1 Place the candle accessory onto the fixture and screw the cap on to secure in place.
- 2 Refer to the diagram on the next page for the designer's recommended installation of candle accessories for the best aesthetic appearance.

8B

NOTE: Measurements are based off circumference, use a tape measure.



 **TECH LIGHTING**

7400 Linder Ave., Skokie, IL 60077  
T 847.410.4400 | F 847.410.4500  
www.techlighting.com