

4 Port Square Canopy

700FJS4_

2.0



MULTI PORT CANOPIES

GENERAL PRODUCT INFORMATION:

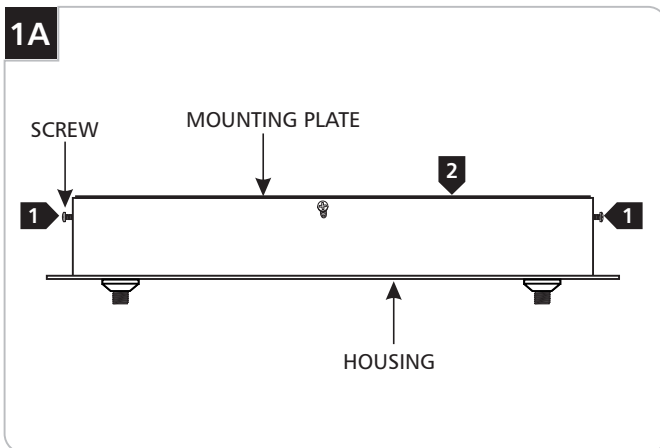
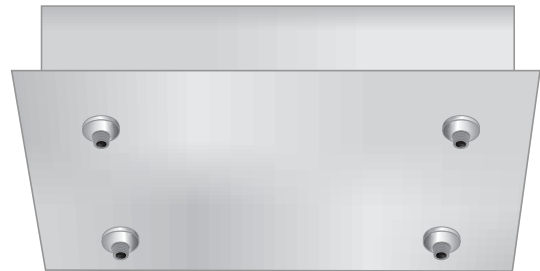


This product is ETL listed and suitable only for indoor dry locations and approved for use at any height above the finished floor.

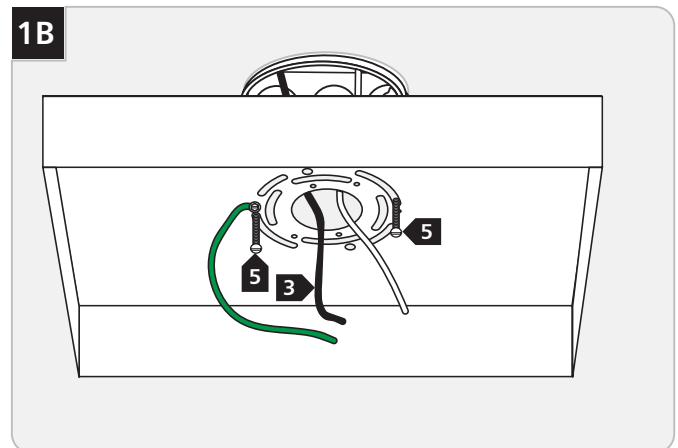
This fixture is intended to be used utilizing NEC compliant junction boxes

Minimum volume of the electrical box must be 6 cubic inches (98 cubic centimeter).

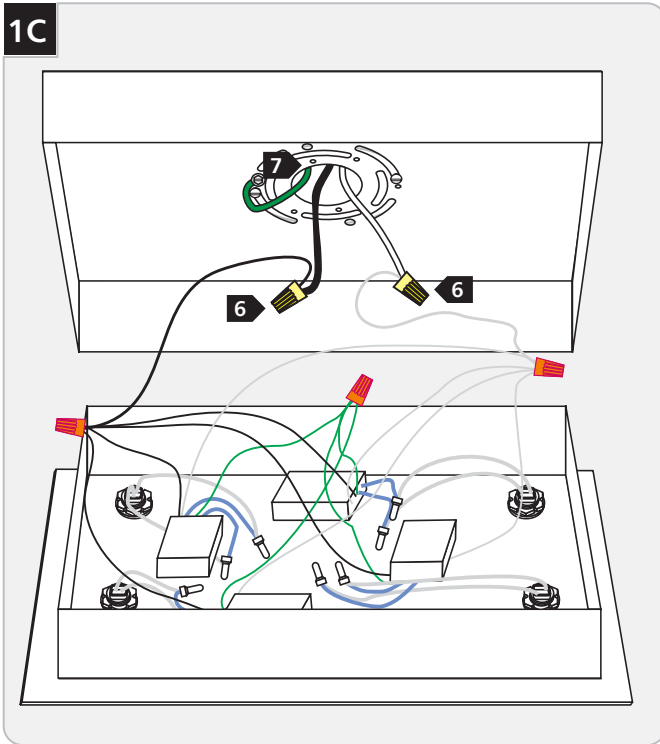
This product can be dimmed with a low-voltage electronic dimmer, have a rated maximum output of 10 watts per port, and are compatible with LED elements.



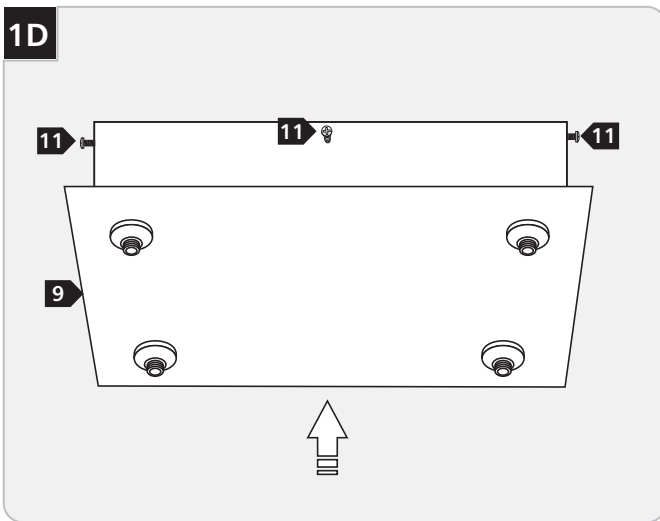
- 1** Remove the four screws around the canopy with a Phillips screwdriver.
- 2** Lift the mounting plate from housing.



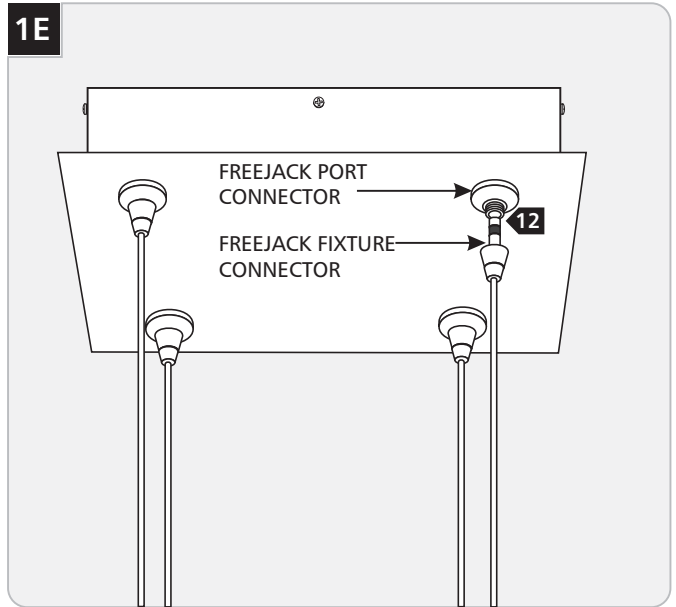
- 3** Feed the 120 volt power line wires through the mounting plate center hole.
- 4** Line up mounting plate slots with the electrical box holes.
- 5** Install the mounting plate to the electrical box with the two #8-32 screws.



- 6** Connect the black wire to the hot power line wire and the white wire to the neutral power line wire with wire nuts.
- 7** Connect the green ground wire to the mounting plate with the ground screw provided. Make sure that the mounting plate is grounded in accordance with local electrical codes.
- 8** Place the wires properly inside the mounting plate.



- 9** Slide the housing onto the mounting plate.
- 10** Line up the housing holes with the mounting plate.
- 11** Replace and tighten the four screws to secure the canopy.



- 12** Screw the FreeJack fixture connector to the FreeJack port connector.

SAVE THESE INSTRUCTIONS!



7400 Linder Ave, Skokie, IL 60077
847.410.4400

www.techlighting.com

© 2018 Tech Lighting, L.L.C. All rights reserved. The "Tech Lighting" graphic is a registered trademark of Tech Lighting, L.L.C. Tech Lighting reserves the right to change specifications for product improvements without notification.
A Generation Brands Company