

# Round Multi-Port Wood Canopy

700FJRD11\_

1.0



## GENERAL PRODUCT INFORMATION:

This product is suitable for dry locations only.



Product numbers ending in "-LED" can be dimmed with a low-voltage electronic dimmer. All other models can be dimmed with a standard incandescent dimmer.

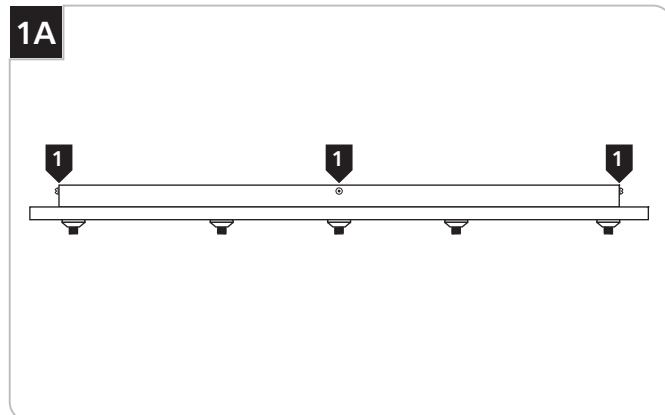
**IMPORTANT!** Do not install any head or pendant closer than 12 inches to this canopy. Heat from the lamp may



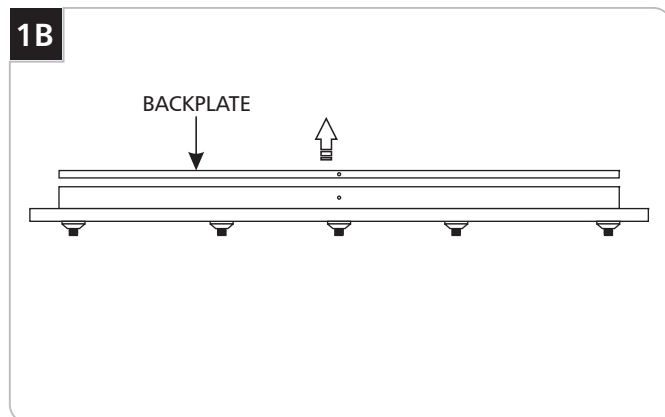
### CAUTION — RISK OF FIRE

This product requires installation by a qualified electrician. Before installing be sure to read all instructions and **TURN OFF POWER TO THE ELECTRICAL BOX.**

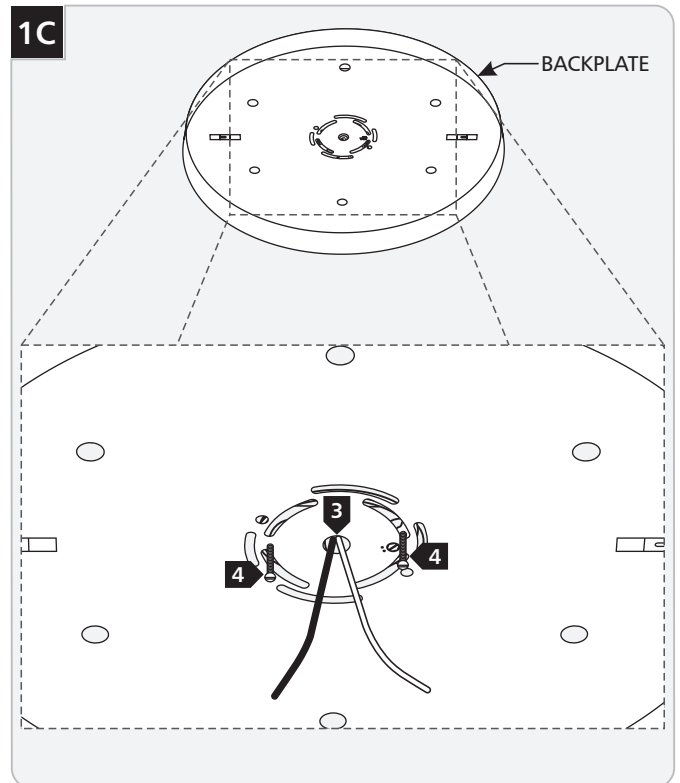
## Install the Backplate



**1** Remove all the button head screws around the canopy.



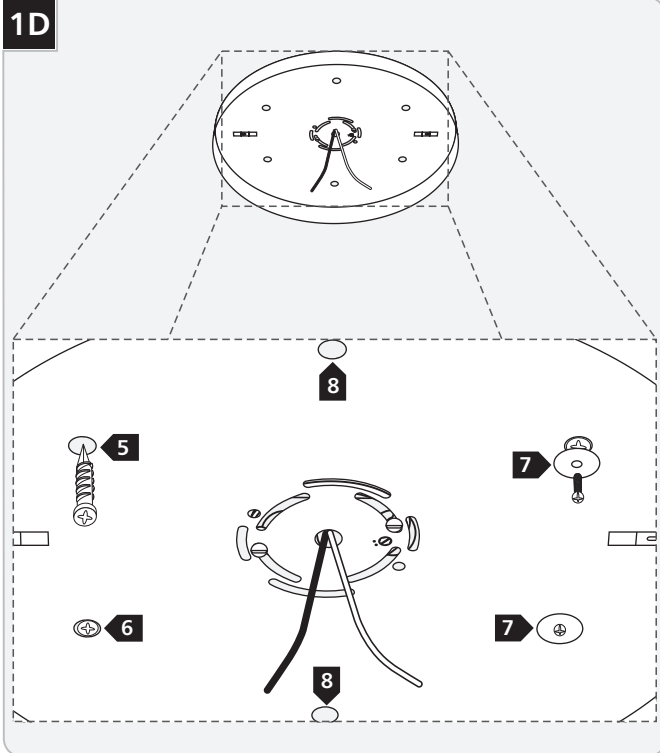
**2** Lift the backplate out of the canopy.



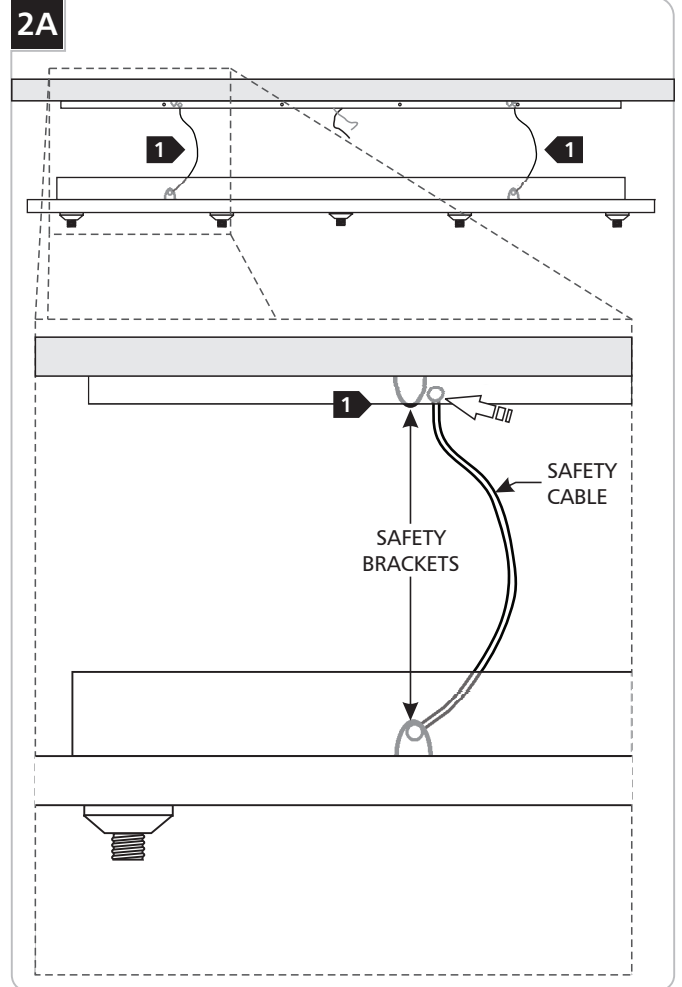
**3** Feed the power line wires through the hole in the middle of the backplate.

**4** Mount the backplate to the electrical box with the two long #8-32 screws provided.

## Install the Canopy

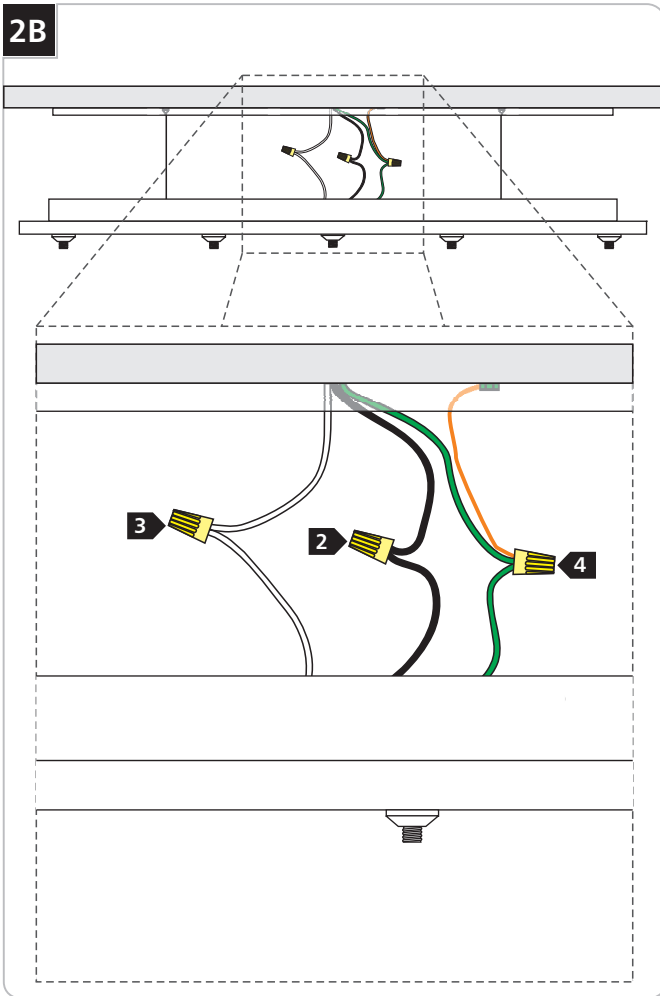


- 5 Line up an anchor with the center of a backplate hole and push the anchor in up to the threads.
- 6 Screw the anchor the rest of the way in with a screwdriver.
- 7 Secure the backplate to the anchor with a screw and washer.
- 8 Repeat steps 5-7 for all six anchor holes.



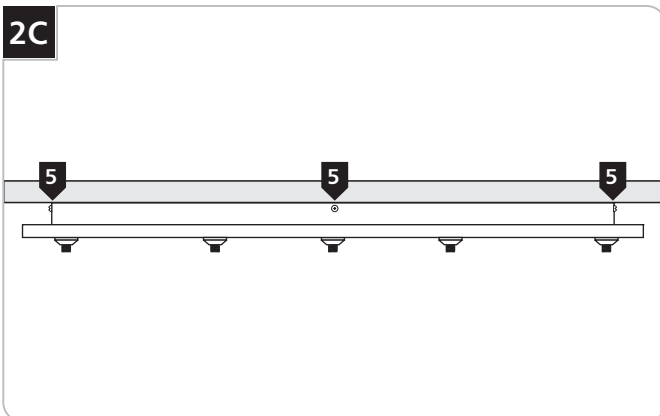
- 1 Hook a safety cable through the safety brackets on each end of the canopy and backplate.

**2B**



- 2** Connect the black fixture wire to the hot power line wire with a wire nut.
- 3** Connect the white fixture wire to the neutral power line wire with a wire nut.
- 4** Connect the green wire and bare copper wire to a suitable ground according to local electrical codes.

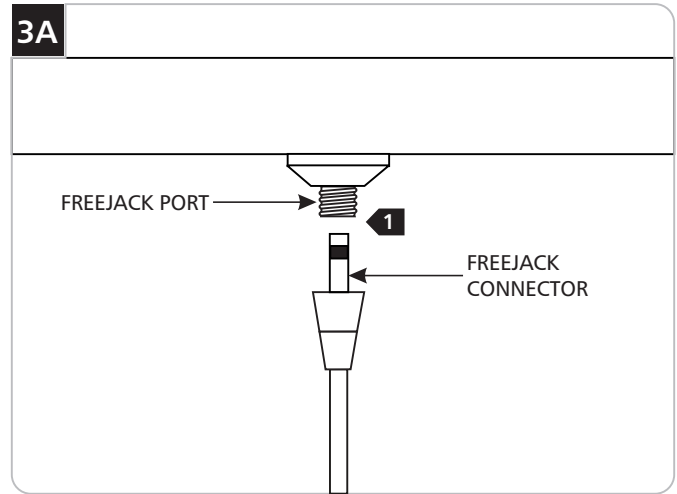
**2C**



- 5** Line up the canopy to the backplate and reinstall all the button head screws.

## Install the Fixtures

**3A**



- 1** Screw a FreeJack connector into each FreeJack port.

**SAVE THESE INSTRUCTIONS!**



**TECH LIGHTING®**

7400 Linder Ave, Skokie, IL 60077

847.410.4400

[www.techlighting.com](http://www.techlighting.com)

© 2008 Tech Lighting, L.L.C. All rights reserved. The "Tech Lighting" graphic is a registered trademark of Tech Lighting, L.L.C. Tech Lighting reserves the right to change specifications for product improvements without notification.

A Generation Brands Company