

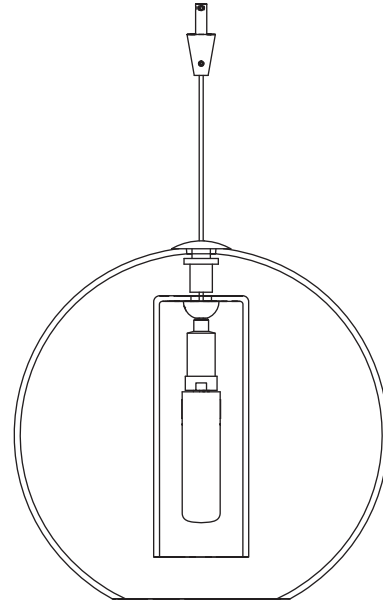


PENDANTS-LOW VOLTAGE

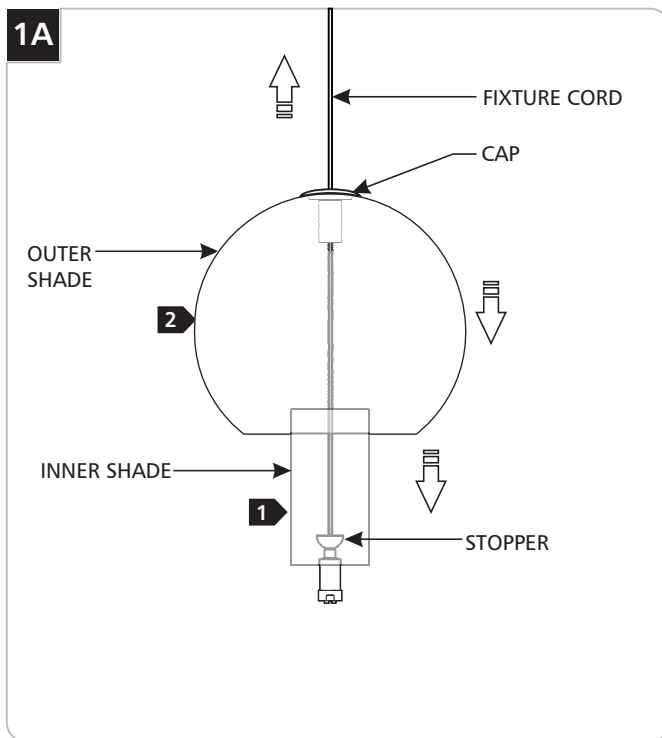
GENERAL PRODUCT INFORMATION:



This product is ETL listed and suitable only for indoor dry locations and approved for use at any height above the finished floor.

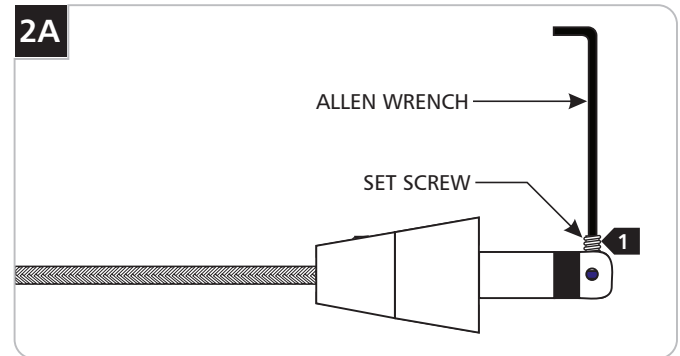


Assemble the Pendant

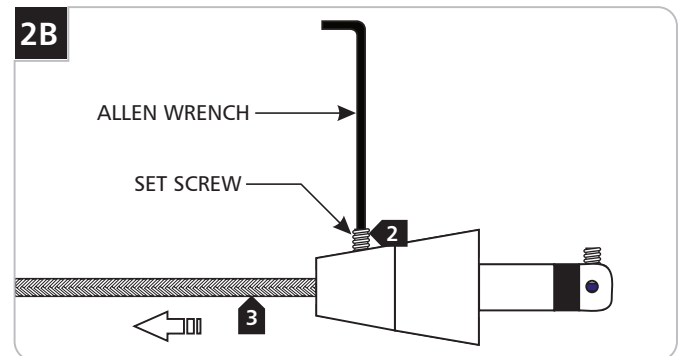


- 1** Feed the fixture cord through the inner shade then gently rest the inner shade on the stopper.
- 2** Feed the fixture cord through the outer shade and cap, then gently rest the outer shade on the inner shade.

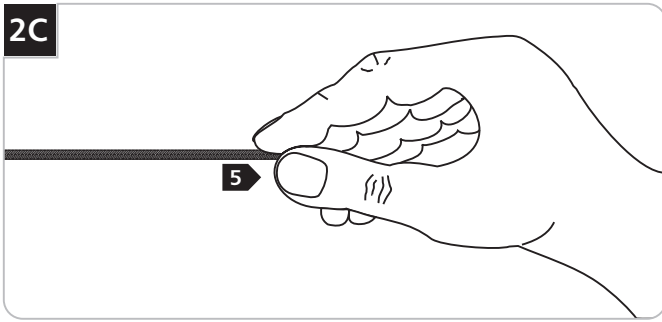
Adjust The Fixture Height



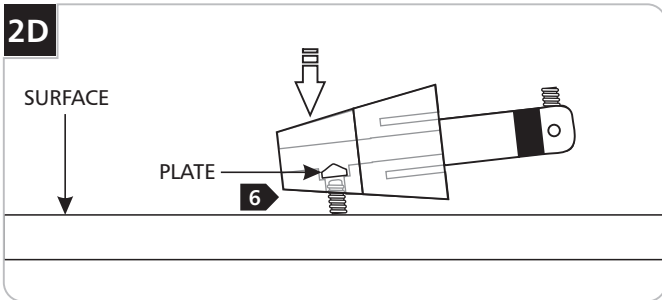
- 1** Back out (do not remove) the set screw on tip of the connector with the provided Allen wrench.



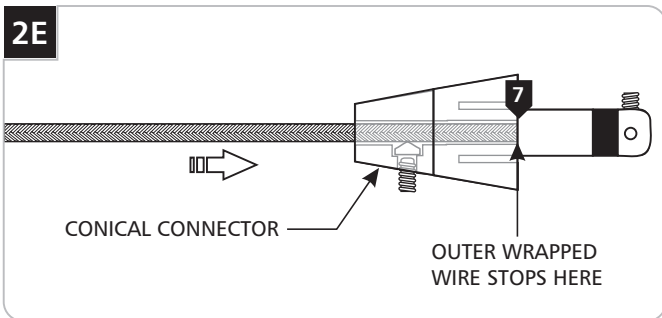
- 2** Back out (do not remove) the set screw on the conical connector with the provided Allen wrench.
- 3** Pull the coaxial cable out.



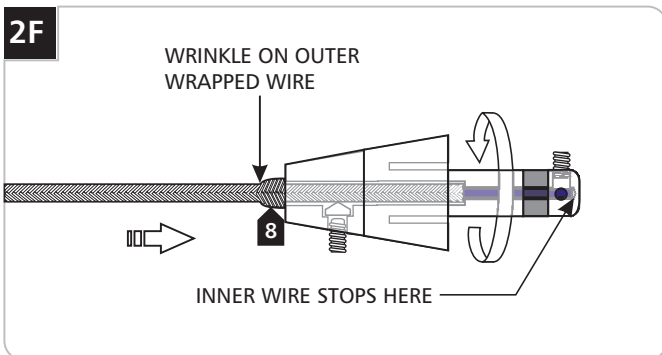
- 4 Cut the coaxial cable to the desired length.
- 5 Gently twist the end of the coaxial cable between thumb and forefinger.



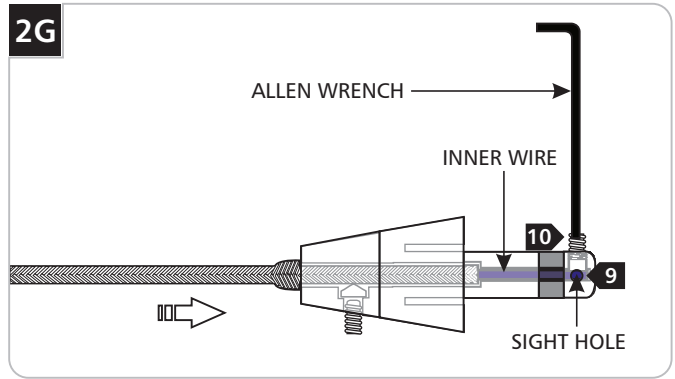
- 6 Tap the conical connector on a hard surface with the set screw facing down, so the plate inside drops into place.



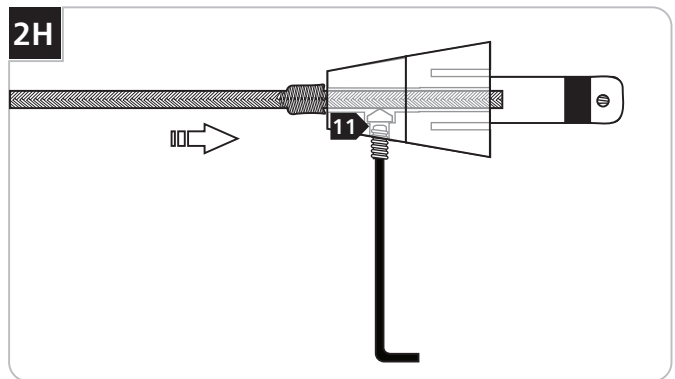
- 7 Feed and push the coaxial cable into the conical connector. The coaxial cable will come to a stop point after being inserted 3/4" into the conical connector.



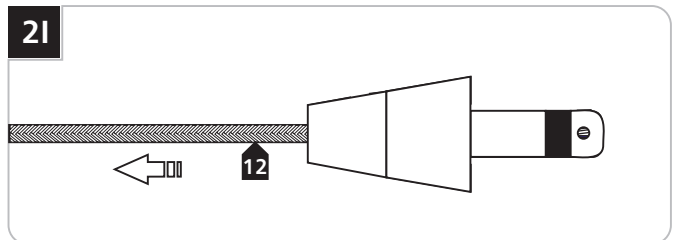
- 8 Keep pushing the coaxial cable into the connector while rotating the connector to ease feeding the inner wire into the tip of the connector. The outer wrapped wire will start wrinkling while being inserted another 1/2" into the connector.



- 9 Look into the sight hole on the top of the connector to make sure that the inner wire is contacting the end of the connector.
- 10 Hold the coaxial cable in place and tighten the set screw on tip of the connector with the provided Allen wrench. ***Make sure this set screw connection is tight.***



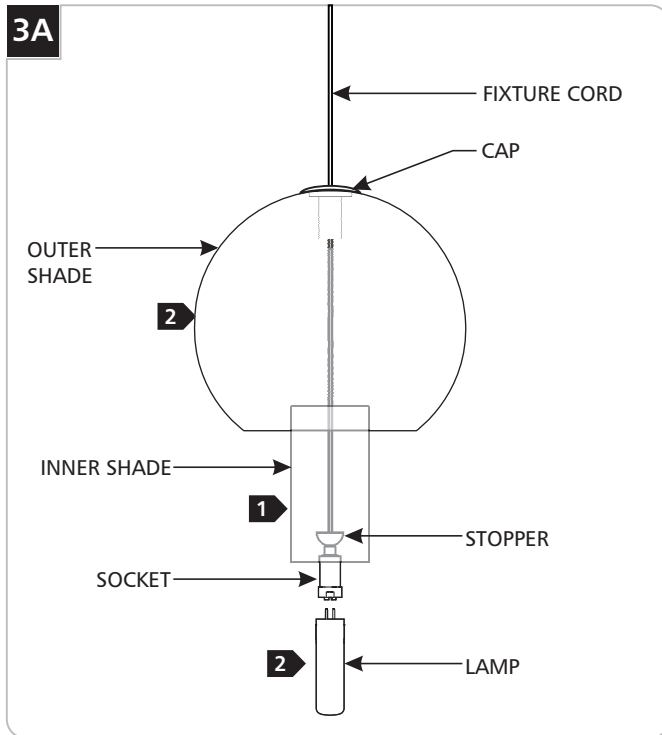
- 11 Firmly tighten the set screw on the conical connector.



- 12 Pull the coaxial cable toward the fixture to smooth the wrinkles.

Replacing the Lamp

CAUTION: To reduce the risk of a burn or electric shock during relamping, disconnect the power to the fixture.



- 1** Carefully raise the shades up to expose the socket.
- 2** Remove the old lamp by pulling out and replace with new one by gently inserting lamp pins into the socket. Refer to the label on the fixture for Max Wattage Information.
- 3** Carefully lower the shades until they rest properly on the stopper.

SAVE THESE INSTRUCTIONS!

 **TECH LIGHTING®**

7400 Linder Ave, Skokie, IL 60077

847.410.4400

www.techlighting.com

© 2020 Tech Lighting, L.L.C. All rights reserved.

Visual Comfort Group