



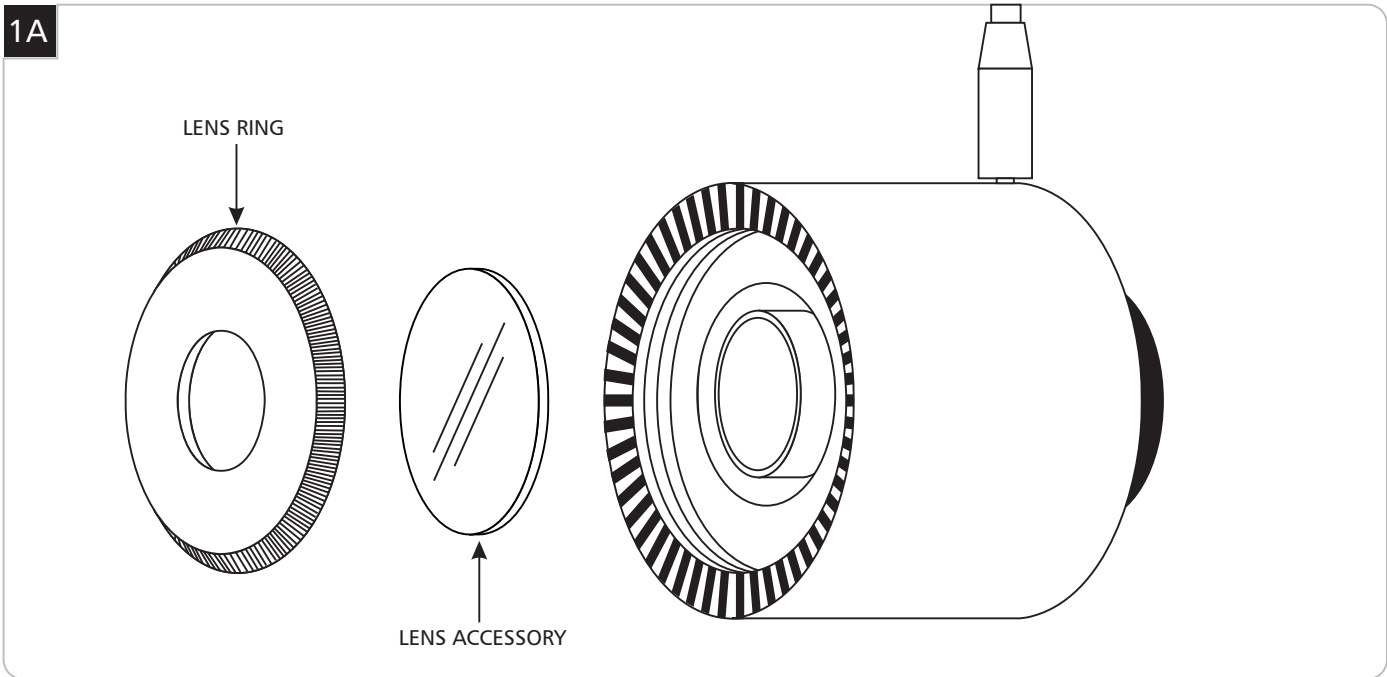
GENERAL PRODUCT INFORMATION:



This product is ETL listed and suitable only for indoor dry locations and approved for use at any height above the finished floor.



CAUTION: To reduce the risk of a burn or electric shock during accessory installation, disconnect the power to the fixture.



- 1 ➤ Unscrew the lens ring.
- 2 ➤ Place the optional lens accessory inside the lens ring.
- 3 ➤ Screw the lens ring back on.

SAVE THESE INSTRUCTIONS!



7400 Linder Ave, Skokie, IL 60077

847.410.4400

www.techlighting.com

© 2013 Tech Lighting, L.L.C. All rights reserved. The "Tech Lighting" graphic is a registered trademark of Tech Lighting, L.L.C. Tech Lighting reserves the right to change specifications for product improvements without notification.

A Generation Brands Company