

# ESSENCE Field Assembled Surface Mount

ESSF\_D 1.1



## GENERAL PRODUCT INFORMATION:



This product is suitable for indoor locations.

For a list of compatible dimmers, visit our website at [www.techlighting.com](http://www.techlighting.com).

This instruction shows a typical installation.

### CAUTION - RISK OF FIRE

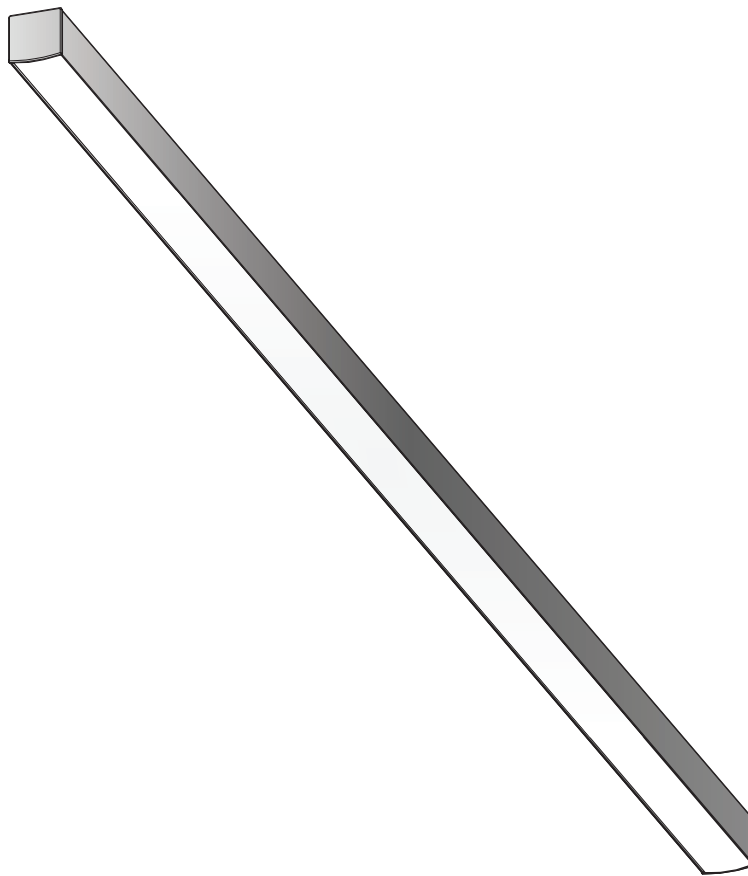
This product must be installed in accordance with the applicable installation code by a person familiar with the construction and operation of the product and the hazards involved.

**Use minimum 90°C supply conductors.**

Luminaire is suitable for installation within a clothes closet storage space. (Excluding: ESSF1206, ESSF1212, ESSF0808R, ESSF0808S)

Le luminaire convient à l'installation dans un vêtement espace de rangement placard. (À l'exclusion : ESSF1206, ESSF1212, ESSF0808R, ESSF0808S)

**SAVE THESE INSTRUCTIONS!**

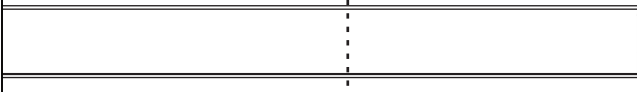


7400 Linder Ave., Skokie, IL 60077  
T 847.410.4400 | F 847.410.4500  
[www.techlighting.com](http://www.techlighting.com)

## Assemble the Housing

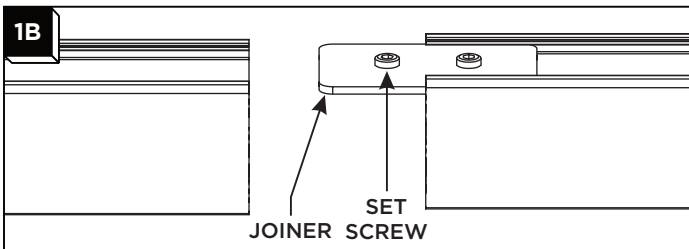
**NOTE: Fully assemble the run before mounting. Assistance by another installer will be required.**

1A



- 1 If necessary, cut the last housing in the run to length needed.

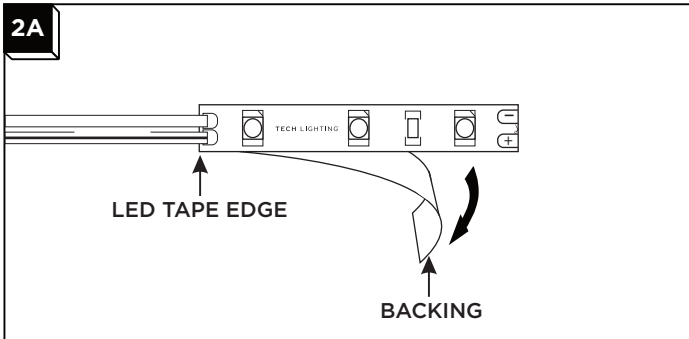
1B



- 2 Insert the joiner into the extrusion on the top of the channel and secure it in place with one of the #4-40 set screws and tighten it with a 0.050" Allen wrench.
- 3 Then insert the installed joiner into the next channel and tighten the other set screw.
- 4 Repeat until the entire channel has been assembled.

## Install the LED Tape

2A

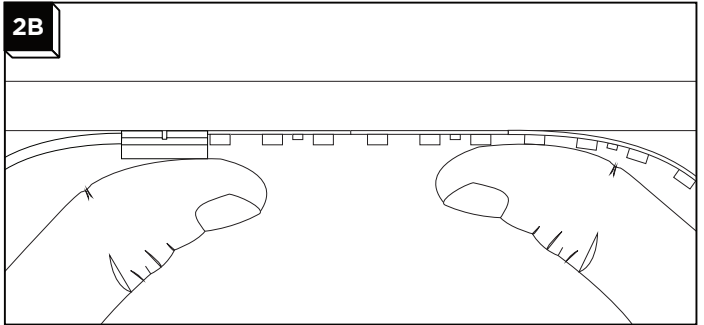


- 1 Prepare the mounting surface according to the 3M™ Surface Preparation guidelines.
- 2 Peel off the 3M Adhesive backing and tear off backing along the LED tape's edge.

**NOTE: Ensure the tape is centered from end to end of the Channel.**

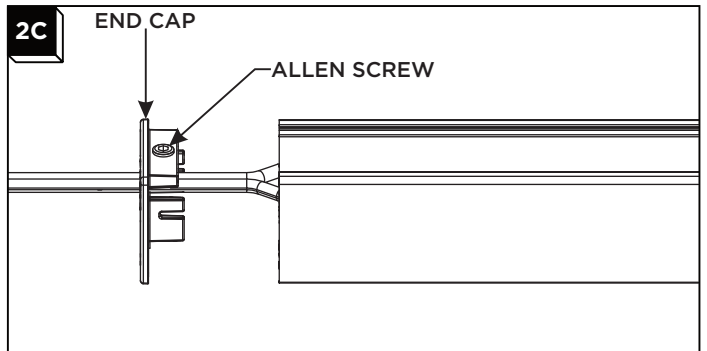
**NOTE: ensure the ambient temperature is minimum 50° F (10° C) or the tape will not adhere properly.**

2B



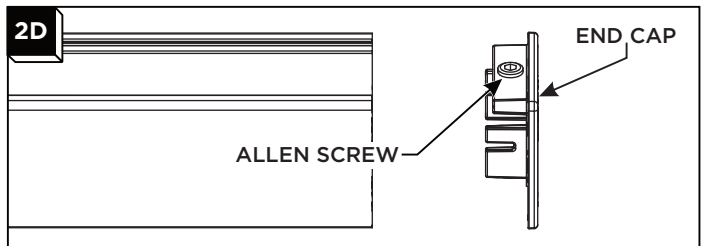
- 3 Adhere to inside of the housing, working one end to the other.
- 4 If necessary, cut the led tape at the designated cut points.

2C



- 5 Install the end cap by using the Allen screw to secure it in place.

2D



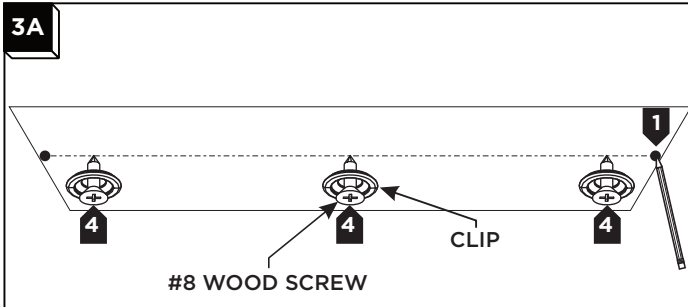
- 6 Install the end cap without the power feed by using the Allen screw to secure it in place.

## Install the Fixture with Chosen Method

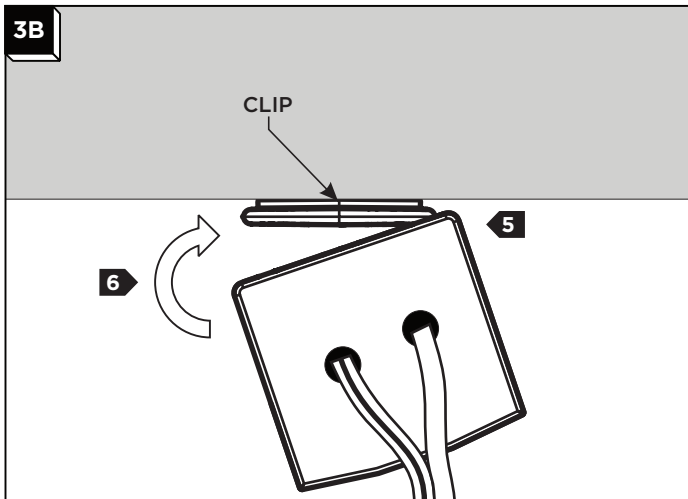
**NOTE:** Fixtures may be installed with either clips, double sided tape, or magnetic mounting.

### Install the Fixture with Clips

**NOTE:** A minimum of 3 clips are required for any run and/or segment. Runs and/or segments over 4ft require an additional clip for every additional 2ft of run length.



- 1 Mark the center line of the desired position of the fixture with a pencil or chalk line.
- 2 Insert the #8 wood screw into the clip.
- 3 Pre-drill holes along the marked line.
- 4 Fasten the clips into place along the marked line.



- 5 With the assistance of a helper lift the entire channel to the installed clips and hook one edge on to the clips.
- 6 Then swing the other edge up and snap it into place.

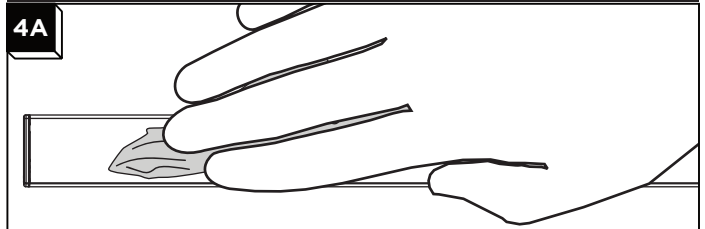
## Prepare the Surfaces for 2-Sided Tape

**NOTE:** A minimum of 3 pieces of 2-sided tape are required for any run and/or segment. Runs and/or segments over 4ft require an additional piece for every additional 2ft of run length.

**NOTE:** The fixture and mounting surface must be prepared according to the 3M™ Surface Preparation guidelines.

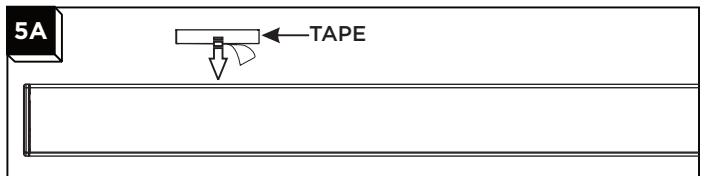
(<https://multimedia.3m.com/mws/media/660190/vhb-tm-tape-surface-preparation-technical-bulletin.pdf>) Attachment surfaces must be clean and free of dust, oils and loose particles. Most substrates are best prepared by cleaning with a mixture of 70% isopropyl alcohol prior to applying 3M™ tapes. Exceptions include Heavy Oils, Abrasion, Adhesion Promoters, Porous Surfaces and Unique Materials. Rough, porous or fibrous materials such as wood, particle board, cement, etc., have an open surface and require sealing to provide a unified surface for tape bonding. Common sealing materials would include paint, varnish or other hard surface coatings. Glass, stone, ceramic and PVC are unique materials and require additional preparation to ensure bonding.

**WARNING:** Ensure no alcohol comes into contact with the fixture lens as it may cause the lens to be damaged.

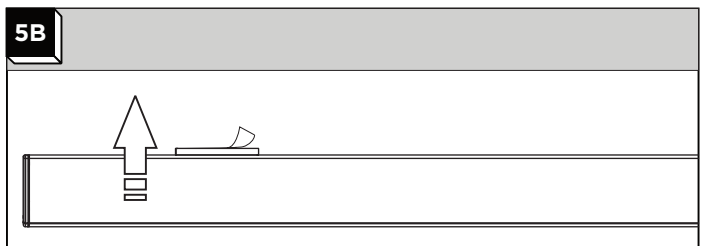


- 1 Ensure all surfaces are prepared.

### Install the Fixture with 2-Sided Tape

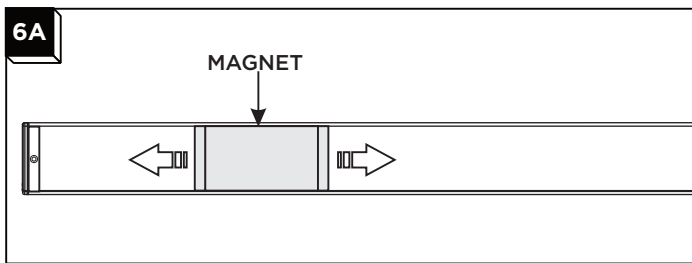


- 1 Peel backing off of the tape and apply it to the fixture.

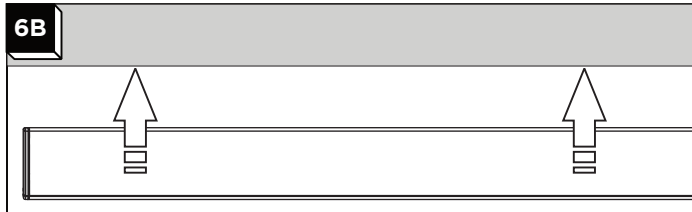


- 2 Peel backing on the other side of the tape and adhere the fixture to the prepared surface.

## Install the Fixture with Magnetic Mounting



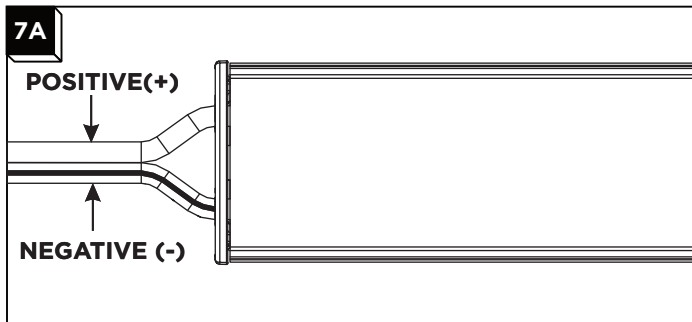
- 1 If necessary, slide the magnetic so that they are spaced to best support the fixture.



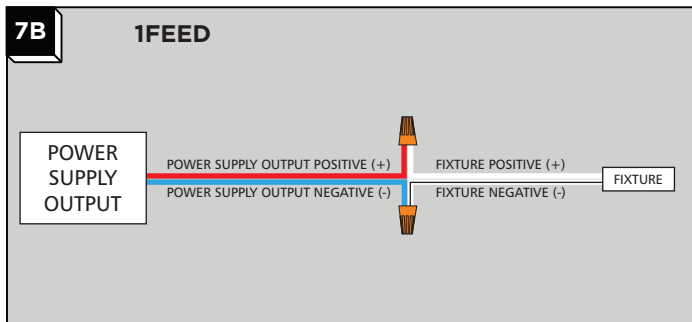
- 2 Install the fixture to the surface.

## Wiring Power Supply Output to the Fixture

**NOTE: Refer to power supply instruction for input wiring information.**

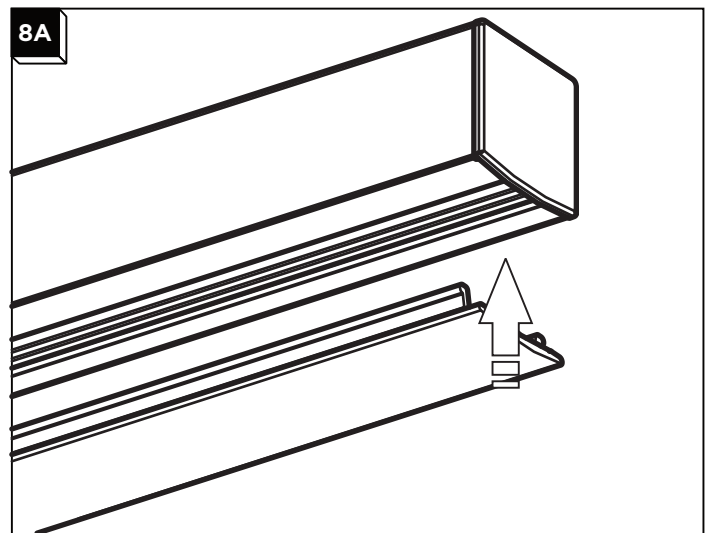


- 1 Identify the negative wire. It will be marked with a stripe. Depending on the finish the stripe may vary in color.



- 2 Connect the power supply negative to the fixture negative (striped or black).
- 3 Connect the power supply positive to the fixture positive (solid or red).

## Install the Lens



- 1 If necessary, cut the lens to match the length of the housing.
- 2 Install the lens by pushing one end into the housing, then press and slide until the other end snaps into place.