

Boxie Large

700BXL_, 7000WBXL_ 1.5



GENERAL PRODUCT INFORMATION:



This product can mount to either a 4" square electrical box with round plaster ring or an octagon electrical box.

This product is suitable for damp or wet locations.

This product can be dimmed with a standard incandescent dimmer.

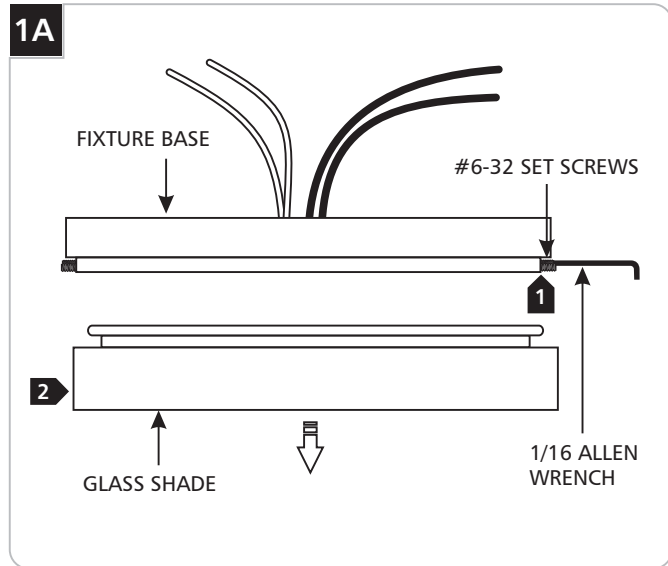
This product is may be ceiling or wall mounted

This instruction shows a typical installation..



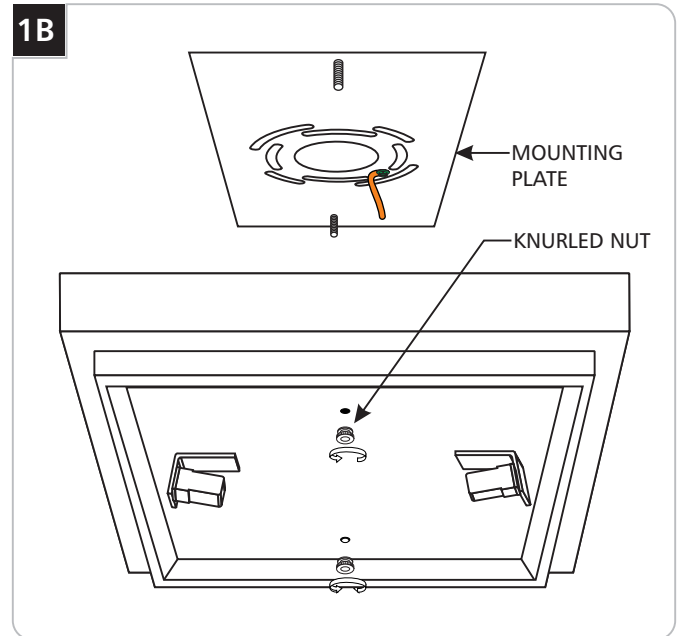
CAUTION - RISK OF FIRE
 This product must be installed in accordance with the applicable installation code by a person familiar with the construction and operation of the product and the hazards involved.
 Use minimum 90°C supply conductors.

Install the Fixture

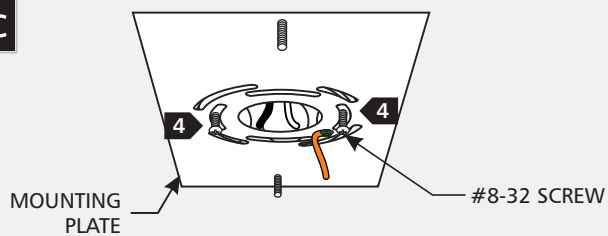


1 While supporting the glass shade, loosen (**Do Not Remove**) the #6-32 set screws on fixture base with the 1/16 Allen wrench.

2 Carefully remove the glass out of the fixture base.

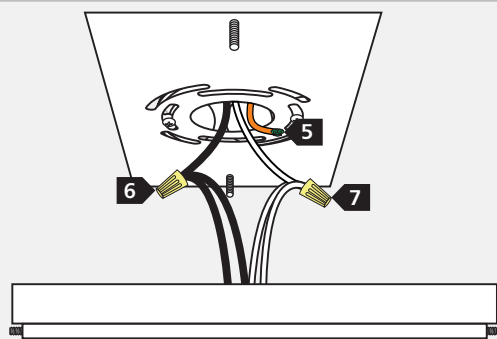


3 Remove the mounting plate from the assembly by unscrewing the two knurled nuts.

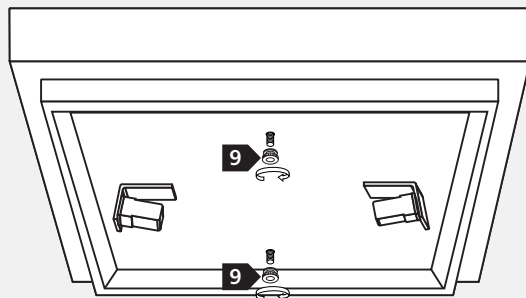
1C

- 4** Secure the mounting plate to the electrical box with 2 #8-32 screws.

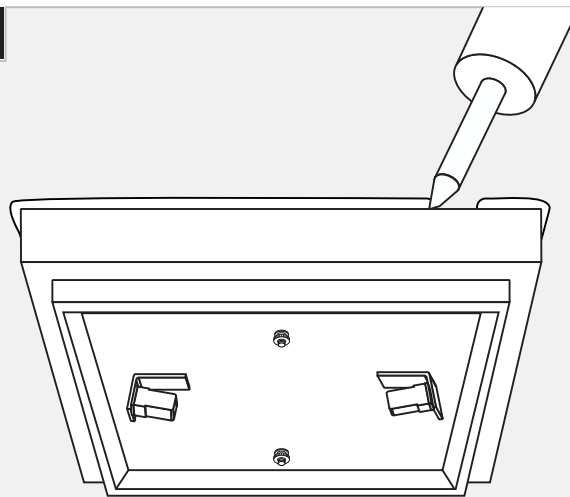
NOTE: Install the mounting plate so that the studs are parallel or perpendicular to the walls, this will ensure that the fixture is oriented to the room.

1D

- 5** Ground the mounting plate in accordance with local electrical codes.
- 6** Connect the black fixture wires to the hot power line wire with a wire nut.
- 7** Connect the white fixture wires to the neutral power line wire with a wire nut.

1E

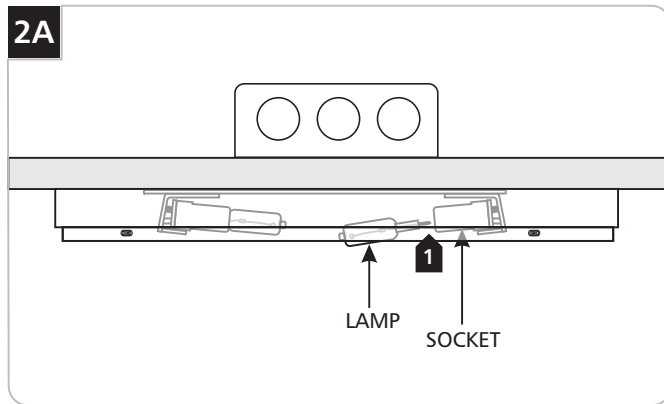
- 8** Place all wires and wire nut connections into the electrical box.
- 9** Mount the fixture base to the ceiling by reinstalling it onto the mounting plate and secure it tightly with the knurled nuts.

1F

- 10** For wet location installation, caulk around the fixture base with waterproof construction sealant.

Install the Lamps and Shade

2A



CAUTION: To reduce the risk of a burn or electric shock during relamping, disconnect the power to the fixture.

NOTE: The G9 lamp has an integral glass envelope and is thus safe to be used without a lamp shield.

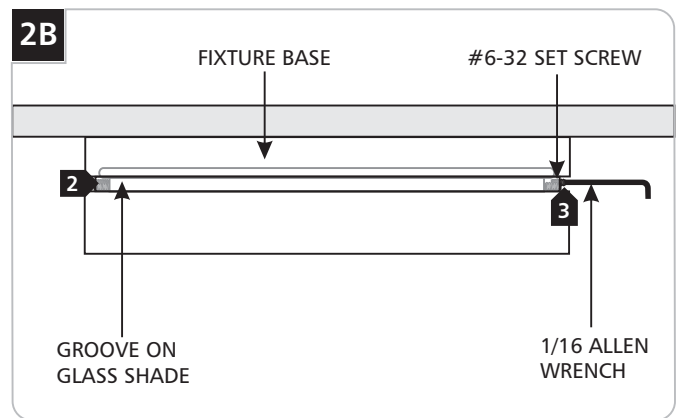
NOTE: Use only your fingers and a soft cloth to replace the lamp.

Use **MAX** 120 Volt, **40** Watt Type T4, G9 Base, Bi-Pin Halogen Lamp With Each Socket.



- 1 Push the lamps completely into the sockets.

2B



- 2 Place the glass shade into the fixture base until the grooved section of the glass shade is completely inside.
- 3 Hold the glass shade in place and tighten all #6-32 set screws with the 1/16 Allen wrench to lock the glass shade in place.

NOTE: To replace the lamps, reverse section 2.

IMPORTANT SAFETY INSTRUCTIONS

To reduce the risk of fire, electrical shock, exposure to excessive UV radiation, or injury to person:

- Use this fixture indoors only.
- Do not look directly at the lighted lamp.
- Do not remain in light if skin feels warm.
- Risk of fire: Use only the type of lamp and maximum wattage indicated in this instruction manual.
- Never cover the halogen lamp and never place flammable material close to your fixture.
- Never turn the fixture on and off by connecting and disconnecting the halogen lamp.
- Do not touch the fixture shade while the fixture is on. This surface may be HOT.

Halogen Lamp General Information

- A new halogen lamp may smoke slightly when it is used for the first time. This is perfectly normal; the protective coating is simply being vaporized.

Two Tips For Prolonging Halogen Lamp Life

- First avoid touching the lamp with bare hands during installation. Any contaminant, even the oil from your hands can deteriorate the lamp. Rubbing alcohol can be used to remove any contaminant.
- Second, do not run the lamps at full power when you do not need to. However, if dimming the fixture for an extended period of time, occasionally bring the light up to full brightness for a few minutes to complete the halogen cycle.

SAVE THESE INSTRUCTIONS!



TECH LIGHTING®

7400 Linder Ave, Skokie, IL 60077
847.410.4400

www.techlighting.com

© 2016 Tech Lighting, L.L.C. All rights reserved. The "Tech Lighting" graphic is a registered trademark of Tech Lighting, L.L.C. Tech Lighting reserves the right to change specifications for product improvements without notification.

A Generation Brands Company