



GENERAL PRODUCT INFORMATION:



This product can mount to either a 4" square electrical box with round plaster ring or an octagon electrical box.

This product is suitable for damp locations.

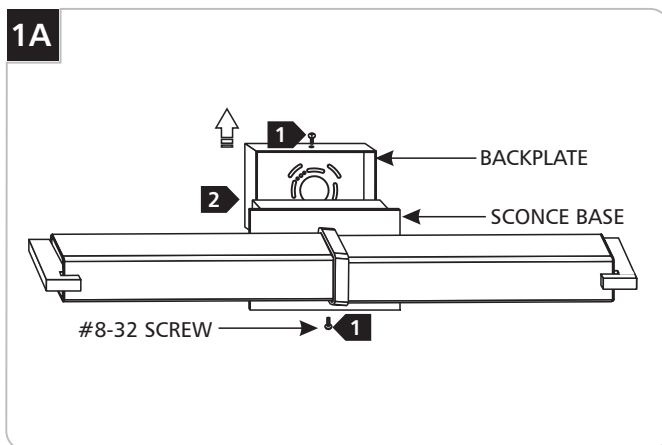
This instruction shows a typical installation.

**CAUTION - RISK OF FIRE**

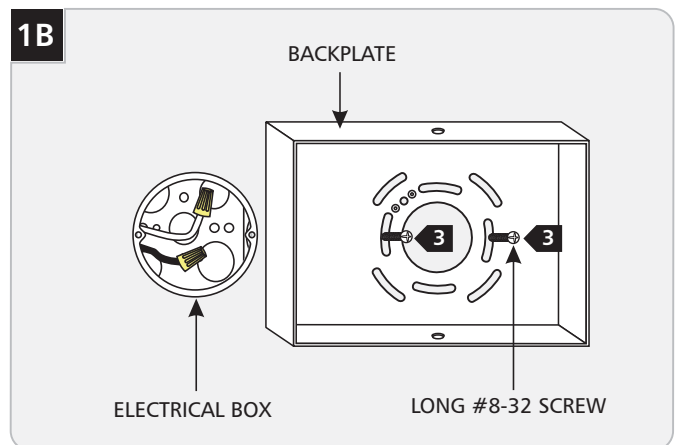
This product must be installed in accordance with the applicable installation code by a person familiar with the construction and operation of the product and the hazards involved.

Use minimum 90°C supply conductors.

Install the Backplate

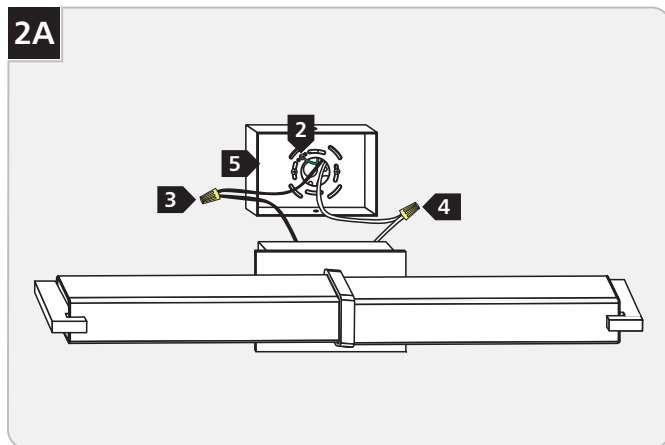


- 1 Remove the two #8-32 screws on the backplate with a Phillips head screwdriver.
- 2 Remove the backplate from the sconce base.

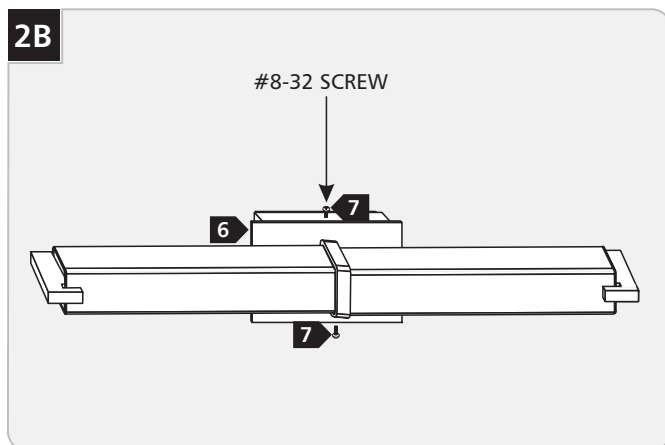


- 3 Mount the backplate to the electrical box with two long #8-32 screws.

## Connect the Power

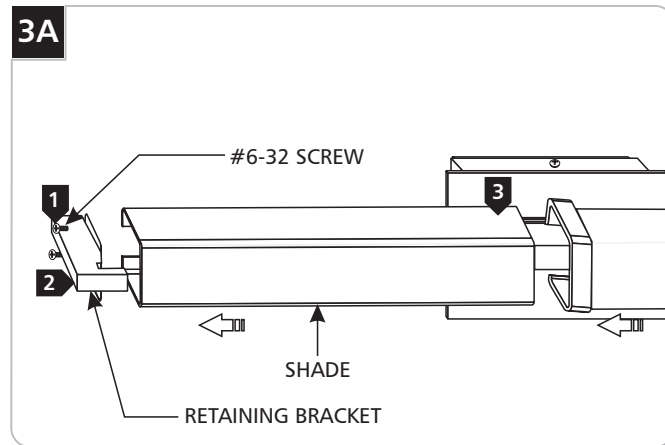


- 1 Turn the power to the electrical box off.
- 2 Make sure that the backplate is grounded in accordance with local electrical codes.
- 3 Connect the black ballast wire(s) to the hot power line wire with a wire nut.
- 4 Connect the white ballast wire(s) to the neutral power line wire with a wire nut.
- 5 Properly place all wires into the backplate.



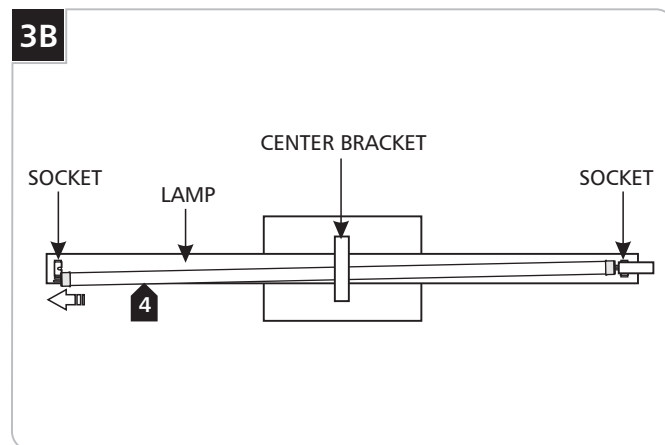
- 6 Place the sconce base onto the backplate and align the holes.
- 7 Replace and tighten the #8-32 screws.

## Install the Lamp



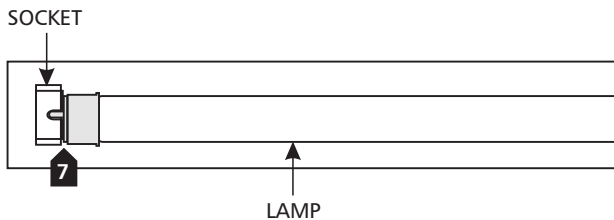
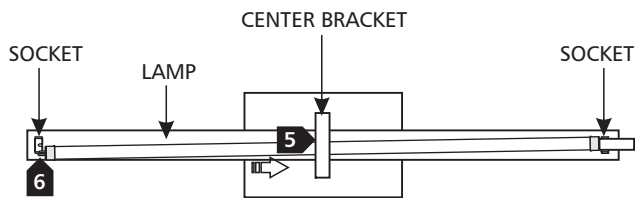
**CAUTION:** To reduce the risk of a burn or electric shock during relamping, disconnect the power to the fixture by turning the wall switch off.

- 1 Remove the two #6-32 screws on side of one retaining bracket.
- 2 Remove the retaining bracket.
- 3 Carefully slide both shades out.



- 4 Rotate the lamp and carefully slide it out from the sockets and the center bracket.

**3C**

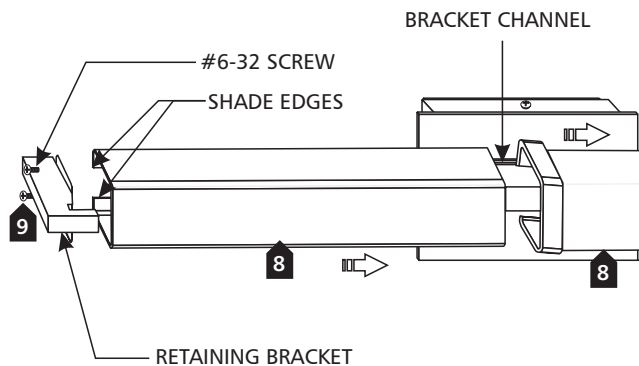


Use **MAX 24 WATT** type T5 High Output linear fluorescent lamp.



- 5** Slide the new lamp through the center bracket.
- 6** Align the lamp pins with socket slots.
- 7** Push the pins all the way into the socket slots and rotate the lamp until it snaps into the place.

**3D**



- 8** Carefully slide the shade edges into the bracket channels.
- 9** After placing both shades in place, replace the retaining bracket and tighten the two #6-32 screws.

**SAVE THESE INSTRUCTIONS!**



7400 Linder Ave, Skokie, IL 60077  
847.410.4400

[www.techlighting.com](http://www.techlighting.com)

© 2012 Tech Lighting, L.L.C. All rights reserved. The "Tech Lighting" graphic is a registered trademark of Tech Lighting, L.L.C. Tech Lighting reserves the right to change specifications for product improvements without notification.  
A Generation Brands Company