

# Metro

700BCMET\_-LED 1.1



GENERAL PRODUCT INFORMATION:

This product can count to either a 4" square electrical box with a round ring or an octagon electrical box.

These fixtures are intended to be installed utilizing NEC compliant junction boxes.

This product is suitable for damp locations.

This product is dimmable with a low-voltage electronic dimmer.

This product can be mounted vertically or horizontally.

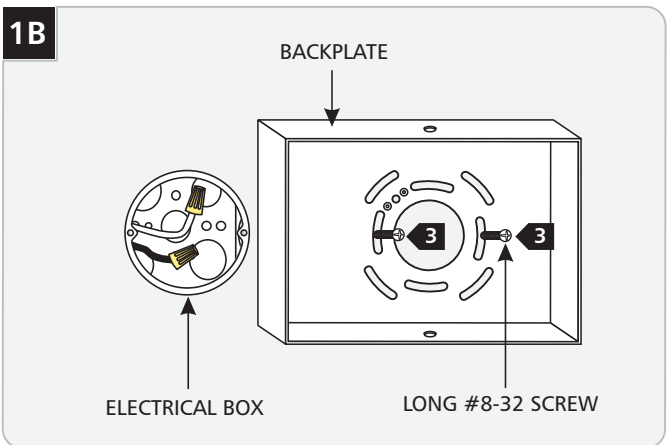
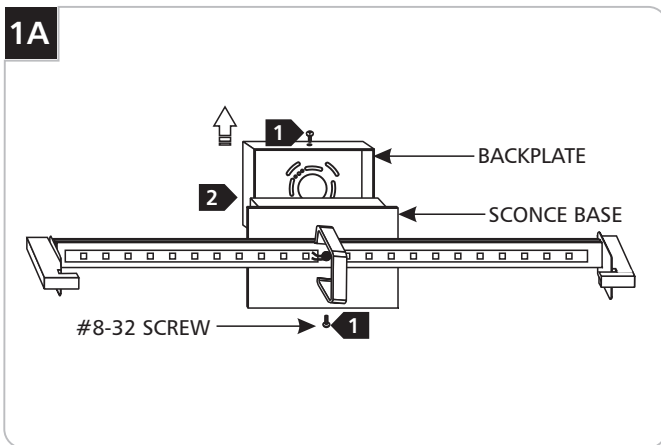
CAUTION: Do not use chemical cleaning products on LEDs. To clean, wipe gently with a clean, dry cloth.



**CAUTION - RISK OF FIRE**  
This product must be installed in accordance with the applicable installation code by a person familiar with the construction and operation of the product and the hazards involved.  
**Use minimum 90°C supply conductors.**

**SAVE THESE INSTRUCTIONS!**

## Install the Backplate

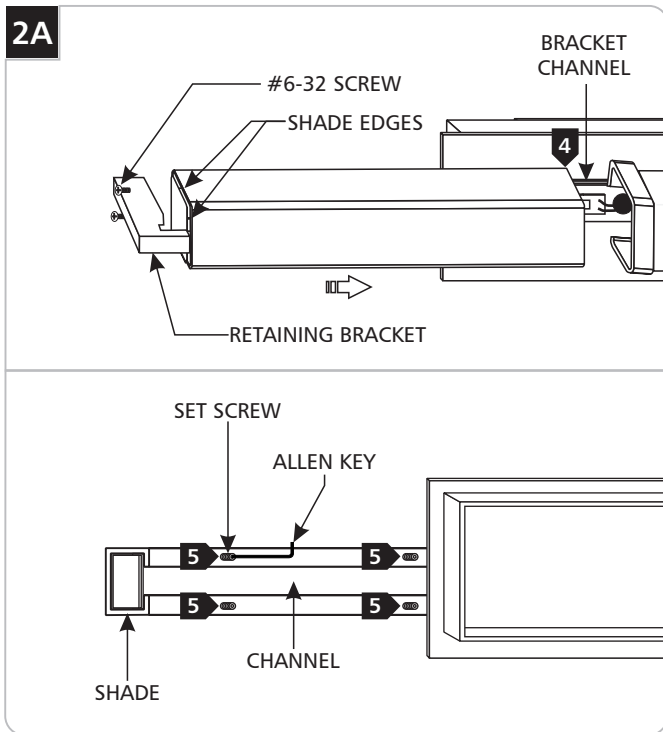


**CAUTION:** When handling the fixture, do not apply pressure to the LEDs. Hold the fixture by the sconce base only.

- 1 Remove the two #8-32 screws on the backplate with a Phillips head screwdriver.
- 2 Remove the backplate from the sconce base.

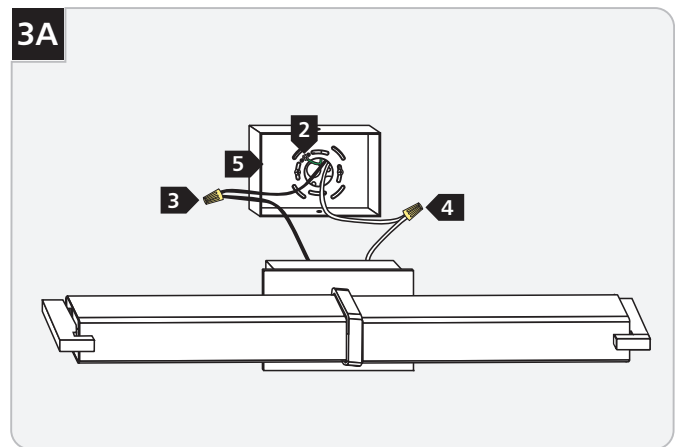
- 3 Mount the backplate to the electrical box with two long #8-32 screws.

## Install the Shades

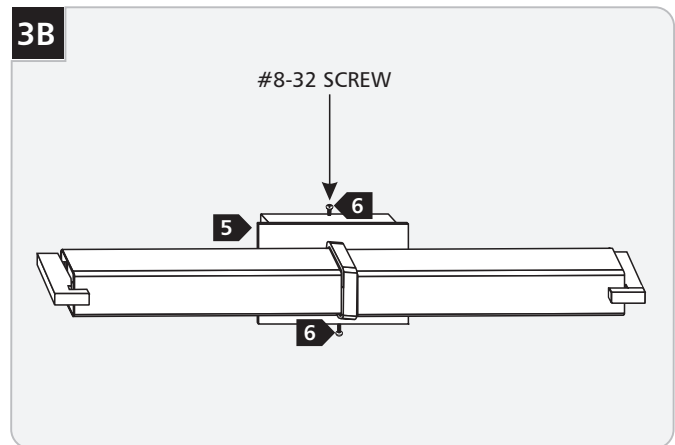


- Remove the two #6-32 screws on side of the retaining bracket.
- Remove the retaining bracket.
- Carefully slide the shade edges into the bracket channels.
- Secure the shades in place by installing the set screws in the back of the fixture using the provided Allen key.
- Replace the retaining bracket and tighten the two #6-32 screws.

## Connect the Power



- Connect the backplate to a suitable ground according to local electrical codes.
- Connect the black driver wire to the hot power line wire with a wire nut.
- Connect the white driver wire to the neutral power line wire with a wire nut.
- Properly place all wires into the backplate.



- Place the sconce base onto the backplate and align the holes.
- Replace and tighten the #8-32 screws.

 **TECH LIGHTING**

7400 Linder Ave., Skokie, IL 60077  
 T 847.410.4400 | F 847.410.4500  
[www.techlighting.com](http://www.techlighting.com)