

FREEJACK LINEAR CANOPY 3-PORT LED



PRODUCT FEATURES

- Customizable canopy helps create unique chandeliers for any space
- Clean and simple design
- Round, 7-Port and 11-Port canopies also available by Tech Lighting
- Round, 7-Port and 11-Port canopies also available by Tech Lighting
- Ideal for residential and commercial lighting applications
- Protected by a 1-year warranty



LAMPING

Electronic transformers inside a 28" by 4" housing. Three FreeJack ports; for ceiling only.

FreeJack Linear Canopy 3-port LED



FreeJack Linear Canopy 3-port LED

ORDERING INFORMATION

700FJL3	SHAPE OR SIZE	FINISH	VOLTAGE
	RECTANGLE 3 PORT LINEAR INTEGRAL TRANSFORMER	Z ANTIQUE BRONZE	-LED 120V IN/12V OUT LED
		C CHROME	-LED277 277V IN/12V OUT LED
		S SATIN NICKEL	

For use with any three 12 volt LED FreeJack pendants (sold separately). Consult factory for use with 12 volt LED FreeJack Heads.

700FJL3 _____
JOB NAME _____
NOTES _____

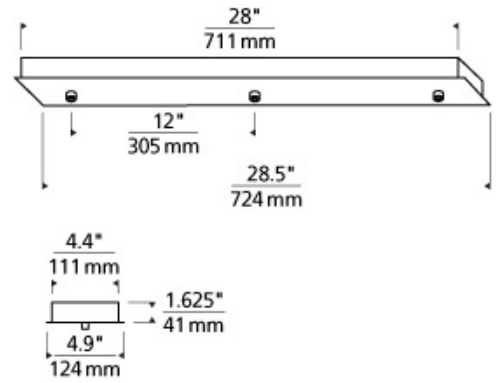


FREEJACK LINEAR CANOPY 3-PORT LED



SPECIFICATIONS

HARDWARE MATERIAL	Metal
SHADE MATERIAL	
NET WEIGHT	7.3 lbs
HEIGHT	1.6in
WIDTH	4.9in
LENGTH	
WET LISTED	
DAMP LISTED	
DRY LISTED	
SLOPED CEILING ADAPTABLE?	No
GENERAL LISTING	ETL Listed
INCLUDES	



LAMPING SPECIFICATIONS

	LED LAMP	INTEGRATED LED	NON LED	NO LAMP
DELIVERED LUMENS				
WATTS				
MAX WATTAGE PER BULB				
INPUT VOLTAGE			120V 277V	
DIMMING TYPE*				
CCT				
CRI				
LED LIFETIME				
L70				
AVERAGE BULB HOURS				
FIELD SERVICEABLE LED				
LAMP BASE				
LAMP SHAPE				
LAMP INCLUDED?			Y	
WARRANTY**				

* Dimming information available at www.techlighting.com/Downloads#dimming

** Visit techlighting.com for specific warranty limitations and details.

T20 / T24 INFORMATION

	Integrated LED	Replacement LED Lamp	No Lamp *
This product can be used to comply with California Building Energy Efficiency Standards 2016 Title 24 Part 6.			
This product can be used to comply with California Appliance Efficiency Standards 2016 Title 20 and may be shipped to and sold in California.			

* If a light fixture or component does not include a lamp or light source, it is the responsibility of the customer to select a lamp that meets the T24 and T20 requirements.

