

PRODUCT FEATURES

- Modern clean design style
- Available in four modern and contemporary finishes
- Hudson Wall and Mini Hudson also available from Tech Lighting
- Ideal for hallway lighting, bedroom lighting and bathroom lighting
- Fully-dimmable LED lamping option
- Protected by a 1-year warranty



Chrome



Satin Nickel



Chrome

LAMPING

Rated for (2) 75w max, E26 medium based lamps (Not included). LED version includes (2) 9.5 watt, 800 delivered lumen, 2700K, Medium base LED A19. ADA compliant.

ORDERING INFORMATION

700WSHUD2W COLOR	FINISH	LAMP
WHITE	C CHROME S SATIN NICKEL	NO LAMP -LED927 A19 LED 90 CRI 2700K 120V (T20/T24)

700WSHUD2W _____

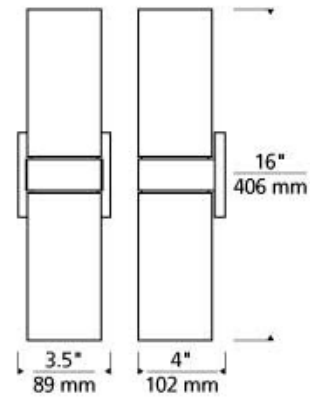
JOB NAME _____

NOTES _____



SPECIFICATIONS

HARDWARE MATERIAL	Metal
SHADE MATERIAL	Glass
NET WEIGHT	2.5 lbs
HEIGHT	16in
WIDTH	4in
LENGTH	3.5in
MIN. EXTENSION FROM WALL	4in
UP LIGHT / DOWN LIGHT / BOTH?	
WET LISTED	
DAMP LISTED	
DRY LISTED	
UP / DOWN	
HORIZONTAL / VERTICAL	
WALL / CEILING MOUNT	
GENERAL LISTING	ETL Listed
ADA COMPLIANT	
INCLUDES	



LAMPING SPECIFICATIONS

	LED LAMP	INTEGRATED LED	NON LED	NO LAMP
DELIVERED LUMENS	800			
WATTS	9.5			
MAX WATTAGE PER BULB	75W			75W
INPUT VOLTAGE	120V			120V
DIMMING TYPE*	ELV, TRIAC			ELV, TRIAC
CCT	2700K			
CRI	90 CRI			
LED LIFETIME				
L70				
AVERAGE BULB HOURS	25000			
FIELD SERVICEABLE LED				
LAMP BASE	E26 Medium Base			E26 Medium Base
LAMP SHAPE	T6			White : T6 White : A19
LAMP INCLUDED?	Y			N
WARRANTY**	1 Year			1 Year

* Dimming information available at www.techlighting.com/Downloads#dimming

** Visit techlighting.com for specific warranty limitations and details.

T20 / T24 INFORMATION

	Integrated LED	Replacement LED Lamp	No Lamp *
This product can be used to comply with California Building Energy Efficiency Standards 2016 Title 24 Part 6.		Yes	N/A
This product can be used to comply with California Appliance Efficiency Standards 2016 Title 20 and may be shipped to and sold in California.		Yes	N/A

* If a light fixture or component does not include a lamp or light source, it is the responsibility of the customer to select a lamp that meets the T24 and T20 requirements.

