

ECHO LARGE PENDANT

PRODUCT FEATURES

- 5 contemporary color options and high quality metal details provide style to your space
- Perfect for creating custom chandeliers popular in today's interior design trends
- Complementary Mini Echo, Echo Grande and Echo wall sconce light also available from Tech Lighting
- Fully dimmable LED lamping option creates the desired ambiance in your unique space
- Ships with 6 feet of field-cuttable cord for optimal length customization
- Protected by a 1-year warranty



Smoke



Amber

Clear

Smoke

Steel Blue

LAMPING

Rated for (1) 75 watt, E26 medium base (lamp not included). LED A19 9.5w, 800 delivered lumens, 90 CRI 2700K. Fixture is provided with six feet of field-cuttable cable. Dimmable with most LED compatible ELV and TRIAC dimmers.

ORDERING INFORMATION

700	SYSTEM	ECP	SHAPE OR SIZE	COLOR	FINISH	LAMP
	TD LINE-VOLTAGE PENDANTS/SUSPENSION		LARGE	A AMBER C CLEAR S SMOKE U STEEL BLUE	Z ANTIQUE BRONZE B BLACK S SATIN NICKEL W WHITE	NO LAMP -LED927 A19 LED 90 CRI 2700K 120V (T20/T24)

700 _____ ECP _____

JOB NAME _____

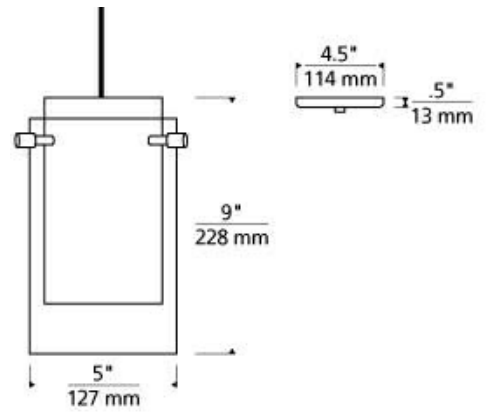
NOTES _____



ECHO LARGE PENDANT

SPECIFICATIONS

HARDWARE MATERIAL	Metal
SHADE MATERIAL	Glass
NET WEIGHT	2.5 lbs
HEIGHT	9in
WIDTH	5in
LENGTH	5in
UP LIGHT / DOWN LIGHT / BOTH?	
WET LISTED	
DAMP LISTED	Yes
DRY LISTED	
MIN. HANGING HEIGHT	15.5in
MAX HANGING HEIGHT	81.5in
TOTAL CORD LENGTH	72in
TOTAL STEM LENGTH	
STEM QTY	
SLOPED CEILING ADAPTABLE?	Yes
GENERAL LISTING	ETL Listed
INCLUDES	



LAMPING SPECIFICATIONS

	LED LAMP	INTEGRATED LED	NON LED	NO LAMP
DELIVERED LUMENS	800			
WATTS	9.5			
MAX WATTAGE PER BULB	9.5W			75W
INPUT VOLTAGE	120V			120V
DIMMING TYPE*	ELV, TRIAC			ELV, TRIAC
CCT	2700K			
CRI	90 CRI			
LED LIFETIME				
L70				
AVERAGE BULB HOURS	25000			
FIELD SERVICEABLE LED				
LAMP BASE	E26 Medium Base			E26 Medium Base
LAMP SHAPE	A19			A19
LAMP INCLUDED?	Y			N
WARRANTY**	1 Year			1 Year

* Dimming information available at www.techlighting.com/Downloads#dimming

** Visit techlighting.com for specific warranty limitations and details.

T20 / T24 INFORMATION

	Integrated LED	Replacement LED Lamp	No Lamp *
This product can be used to comply with California Building Energy Efficiency Standards 2016 Title 24 Part 6.			
This product can be used to comply with California Appliance Efficiency Standards 2016 Title 20 and may be shipped to and sold in California.			

* If a light fixture or component does not include a lamp or light source, it is the responsibility of the customer to select a lamp that meets the T24 and T20 requirements.

