

PRODUCT FEATURES

- Compact and powerful accent lamp
- Available in three finishes, black, satin nickel and white
- Light head pivots for multi-directional lighting
- Direct plug-in fixture. optional wall mount hardware included
- Lamping options are compatible with most dimmers
- Protected by a 1-year warranty. please visit the "About Us" Page on techlighting.com for more for warranty details



LAMPING

The canopy can screw onto a wall or sit on the floor. Automatic shut-off if tipped over. Complete with 12 volt plug-in transformer with in-line switch and 10' cord and 50 watt MR16 lamp.

Lil Big Wonder



Lil Big Wonder

ORDERING INFORMATION

700F1-	FINISH	LAMP
	BLK BLACK	-LED BI-PIN 12 VOLT LED MR16 90 CRI 3000K (T24)
	SN SATIN NICKEL	-NL NO LAMP
	WHT WHITE	

700F1- _____

JOB NAME _____

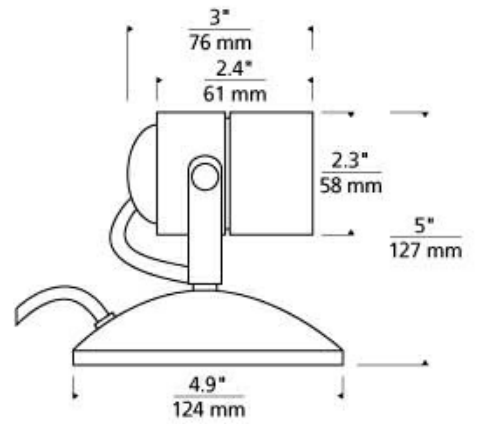
NOTES _____



LIL BIG WONDER

SPECIFICATIONS

HARDWARE MATERIAL	Metal
SHADE MATERIAL	Glass
NET WEIGHT	1.35 lbs
HEIGHT	4.75in
WIDTH	4.75in
LENGTH	
MIN. EXTENSION FROM WALL	
WET LISTED	
DAMP LISTED	
DRY LISTED	
SLOPED CEILING ADAPTABLE?	No
GENERAL LISTING	ETL Listed
ADA COMPLIANT	
INCLUDES	



LAMPING SPECIFICATIONS

	LED LAMP	INTEGRATED LED	NON LED	NO LAMP
DELIVERED LUMENS				
WATTS			50	
MAX WATTAGE PER BULB			50W	
INPUT VOLTAGE			120V	
DIMMING TYPE*			ELV	
CCT				
CRI				
LED LIFETIME				
L70				
AVERAGE BULB HOURS				
FIELD SERVICEABLE LED				
LAMP BASE			GU5.3	
LAMP SHAPE			GU5.3	
LAMP INCLUDED?			Y	
WARRANTY**			1 Year	

*Dimming information available at www.techlighting.com/Downloads#dimming

** Visit techlighting.com for specific warranty limitations and details.

T20 / T24 INFORMATION

	Integrated LED	Replacement LED Lamp	No Lamp *
This product can be used to comply with California Building Energy Efficiency Standards 2016 Title 24 Part 6.			
This product can be used to comply with California Appliance Efficiency Standards 2016 Title 20 and may be shipped to and sold in California.			

* If a light fixture or component does not include a lamp or light source, it is the responsibility of the customer to select a lamp that meets the T24 and T20 requirements.

